

56112141 VACUUM WAND WITH TOTE BAG KIT

SC750, SC800, SC750 ST, SC800 ST Models: ALL

Warrior Models: ALL

BA 755, BA 855 Models: ALL

Convertamatic Models: ALL 56315XXX

BA 625, BA 725, BA 825 Models: ALL

Adphibian, AquaPlus Models: ALL

AX 651 Multi EDS Models: ALL

34RST Models: ALL

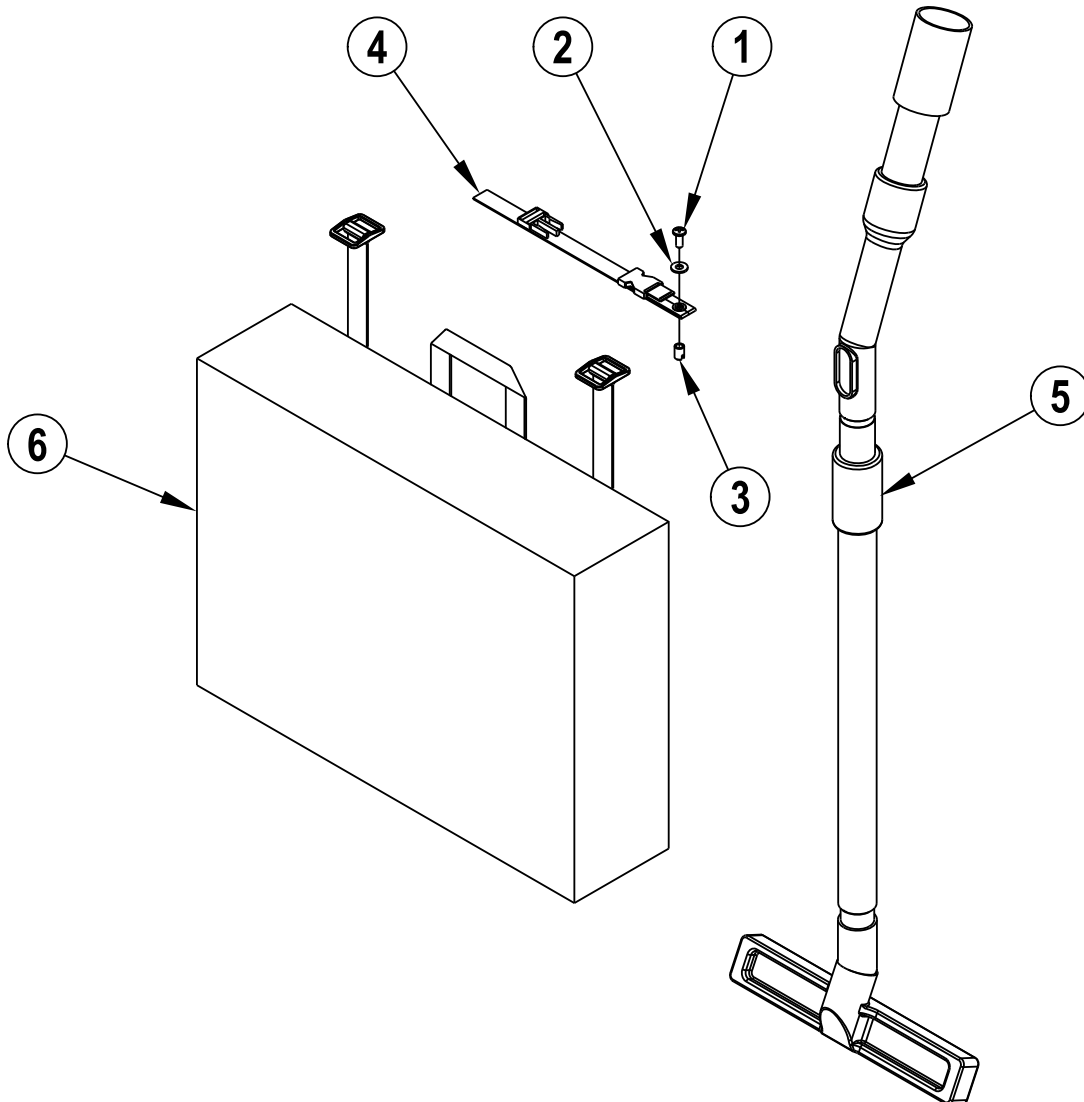
Focus II Large Models: ALL

Adhancer Models: ALL Walkbehind

CONTENTS OF KIT

ITEM	PART NO.	QTY	DESCRIPTION
[]	56090028	1	Instruction Sheet
1	56002066	1	Scr-Pan Phil 1/4-20 X .62
2	56002098	1	Wsh, Flt Sae 1/4
3	56009304	1	Insert, Brass 1/4-20
4	56112149	1	Polypropylene Strap
5	56315309	1	Scrub/Vac Wand & Hose
6	56315316	1	Tote Bag

[] = Not Shown

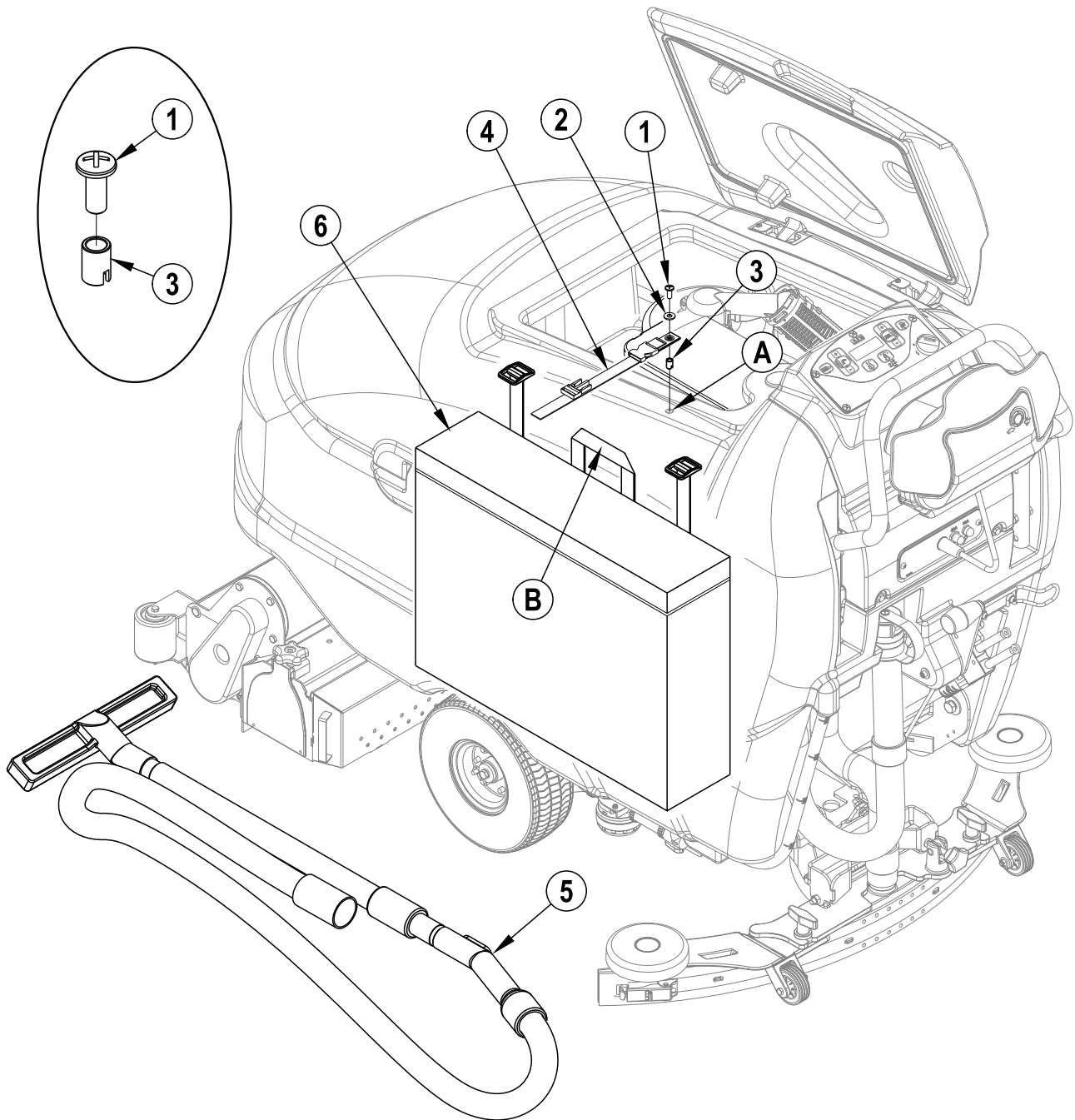


SC750, SC800 INSTALLATION INSTRUCTIONS

STRAP AND TOTE BAG INSTALLATION

- 1 See Figure 1. Locate the hole (A) near the recovery tank cover on the left side of the machine.
- 2 Install the Pan Screw (1) into the non-slotted end of the Brass Insert (3) and screw the slotted end of the Insert into the hole (A) until it is flush with the surface of the tank, then remove the Pan Screw (1).
- 3 Install the Strap (4) using the Pan Screw (1) and Washer (2) as shown.
- 4 Loop the Strap (4) thru the Handle (B) on the Tote Bag (6) and close the side release buckle on the Strap (4) to allow the bag to hang on the side of the machine as shown.
- 5 The Vac Wand and Hose (5) can be Disassembled and placed into the Tote Bag (6).

FIGURE 1



SC800 model shown. Installation and use is the same on the SC750 model.

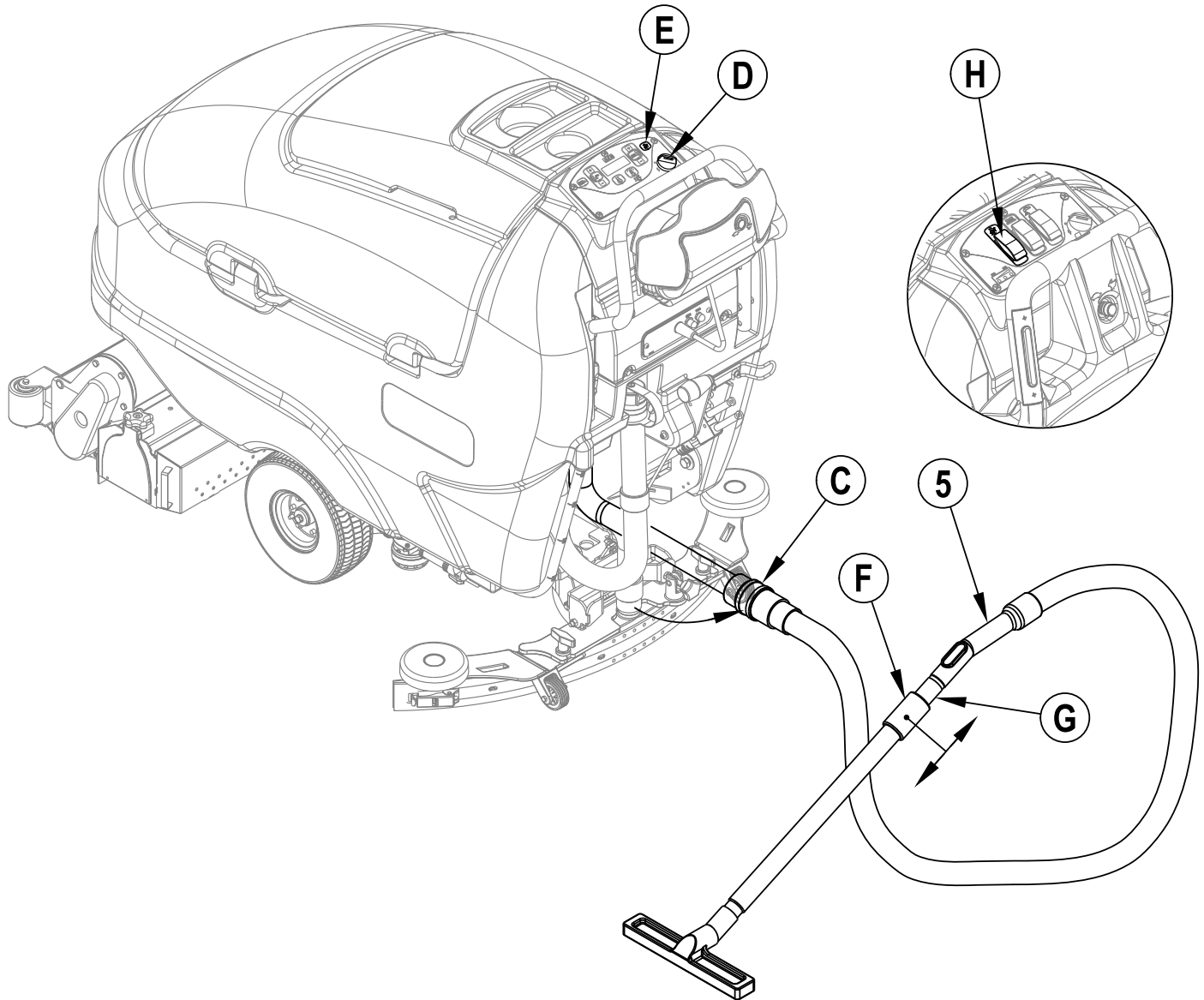
WET VACUUMING

6 See Figure 2. To use the wand, disconnect the Vacuum Hose (C) from the squeegee and slip the Vac Wand (5) Hose into the end of it.

7 Turn the Key Switch (D) ON and push the Wand Button (E) (EcoFlex models) or (H) (ST models) on the control panel.

NOTE: The steel tube of the wand is telescopic. To Lengthen or shorten; pull down on the Large Black Plastic Collar (F) to unlock and then pull UP or push DOWN on the top portion of the steel tube (G).

FIGURE 2



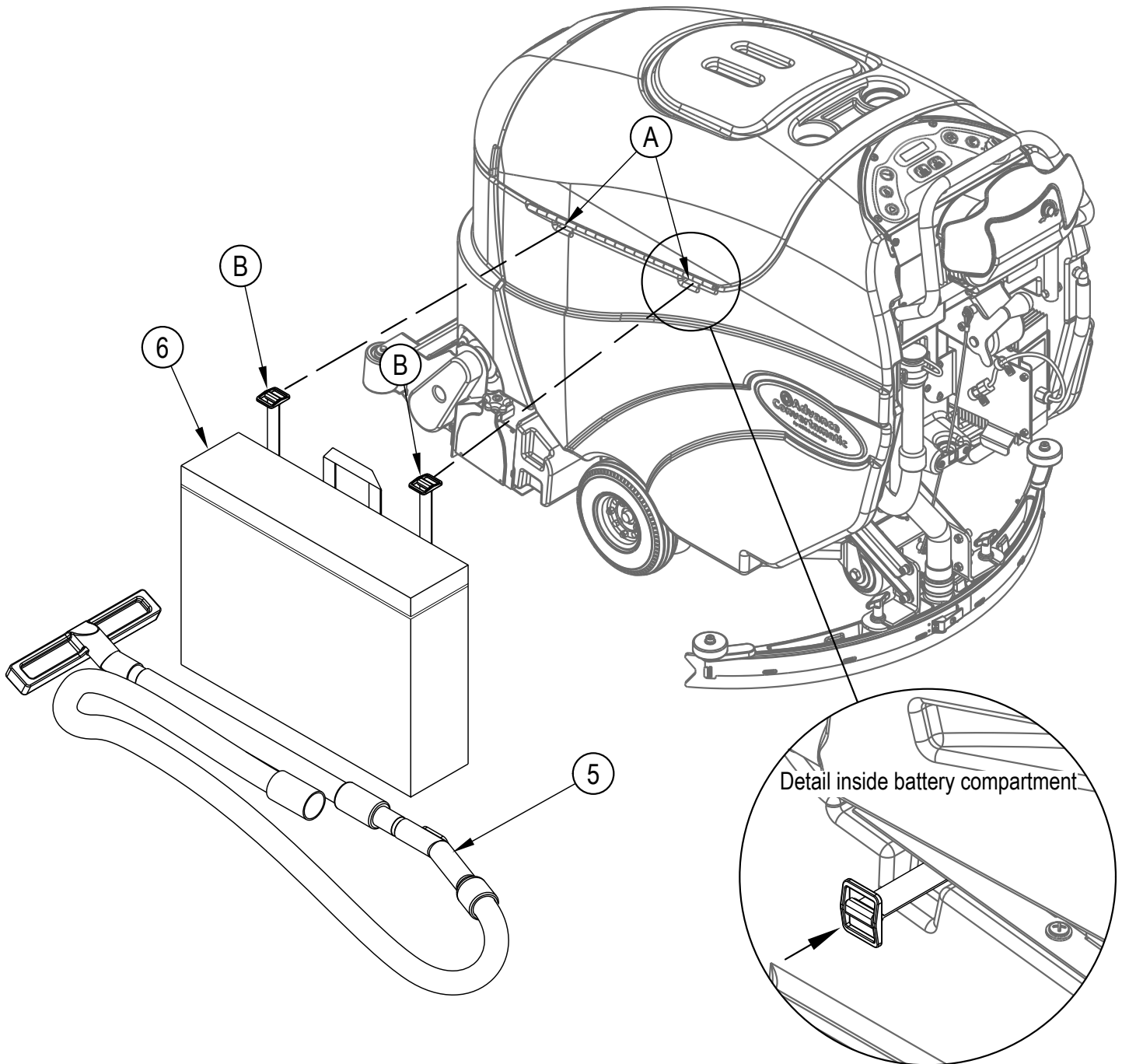
SC800 model shown. Installation and use is the same on the SC750 model.

ALL OTHER INSTALLATION INSTRUCTIONS

TOTE BAG INSTALLATION

- 1 See Figure 3. Locate the (2) Slots (A) on the left side of the machine under the recovery tank hinge.
- 2 Slip one each of the Tote Bag buckles (B) through the Slots (A) as shown.
- 3 After slipping the buckles through the slots open the recovery tank and flip the Buckles vertical and pull back on the straps as shown in the detail view.
- 4 The Vac Wand and Hose (5) can be Disassembled and placed into the Tote Bag (6).

FIGURE 3

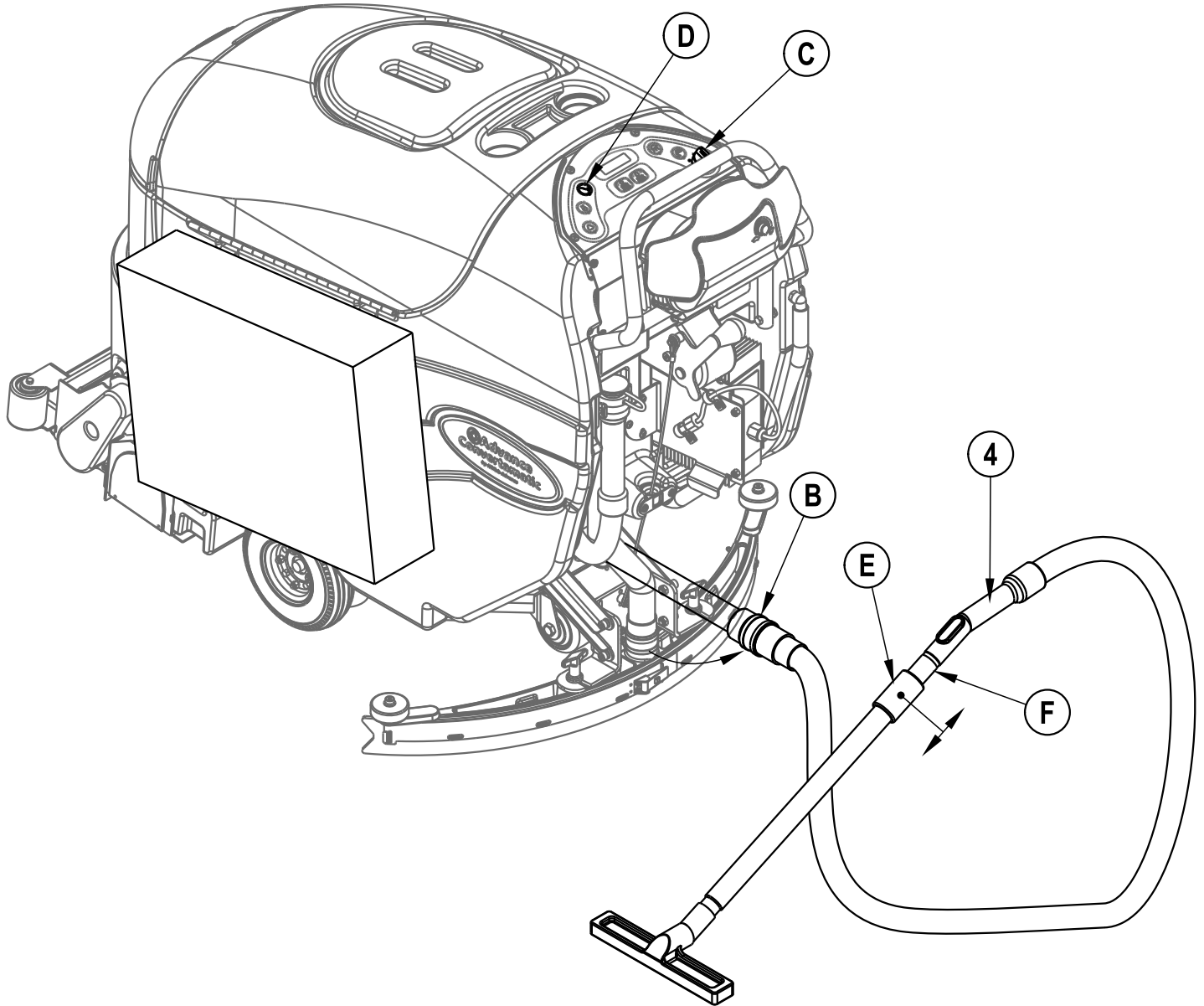


Convertamatic model shown. Installation and use is the same on all models other than SC750 & SC800.

WET VACUUMING

- 5 See Figure 4. To use the wand, disconnect the Vacuum Hose (B) from the squeegee and slip the Squeegee Wand (4) hose into the end of it.
 - 6 Turn the Key Switch (C) ON and push the Wand Button (D) on the control panel.
- NOTE: The steel tube of the wand is telescopic. To Lengthen or shorten; pull down on the Large Black Plastic Collar (E) to unlock and then pull UP or push DOWN on the top portion of the steel tube (F).

FIGURE 4



Convertamatic model shown. Installation and use is the same on all models other than SC750 & SC800.