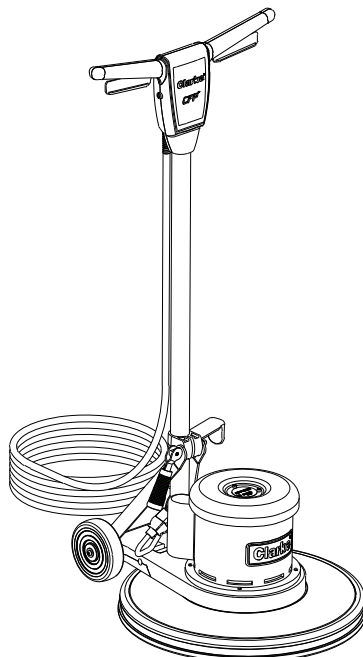


Clarke®

CFP-130, CFP-170, CFP-200
CFP-1700, CFP-1700DS
CFP-2000, CFP-2000DS

Polisher



Operator's Manual / Manual del operador / Manuel de l'utilisateur
MODELS: 01281A, 01280A, 01310A, 01320A, 01350A, 01431A,
01360A, 01390A, 01400A, 01401A, 01430A



READ THIS BOOK
LEA ESTE MANUAL
LISEZ CE MANUEL

EN English (2 - 11)
ES Español (12 - 21)
FR Français (22 - 30)

This book has important information for the use and safe operation of this machine. Failure to read this book prior to operating or attempting any service or maintenance procedure to your Clarke American Sanders machine could result in injury to you or to other personnel; damage to the machine or to other property could occur as well. You must have training in the operation of this machine before using it. If your operator(s) cannot read this manual, have it explained fully before attempting to operate this machine.

All directions given in this book are as seen from the operator's position at the rear of the machine.

CONTENTS OF THIS BOOK

Important Safety Instructions..... 3

Introduction..... 4

Accessories 5

Machine Specifications..... 6

How To Prepare the Machine for Operation 7

Grounding Instructions 8

How to Operate the Machine..... 9

Troubleshooting..... 10

Section II Parts Manual

Assembly 32-33

Motor Assembly and Schematics [CFP-130,170, 1700, 200, 2000]..... 34

Motor Assembly [CFP-1700DS, 2000DS]..... 35

120V Motor Schematic 35

Gearbox Assembly 36

Accessories 37

⚠ WARNING!

The Products sold with this Manual contain or may contain chemicals that are known to certain governments (such as the State of California, as identified in its Proposition 65 Regulatory Warning Law) to cause cancer, birth defects or other reproductive harm. In certain locations (including the State of California) purchasers of these Products that place them in service at an employment job site or a publicly accessible space are required by regulation to make certain notices, warnings or disclosures regarding the chemicals that are or may be contained in the Products at or about such work sites. It is the purchaser’s responsibility to know the content of, and to comply with, any laws and regulations relating to the use of these Products in such environments. The Manufacturer disclaims any responsibility to advise purchasers of any specific requirements that may be applicable to the use of the Products in such environments.

MODIFICATIONS

Modifications and additions to the cleaning machine which affect capacity and safe operation shall not be performed by the customer or user without prior written approval from Nilfisk-Advance Inc. Unapproved modifications will void the machine warranty and make the customer liable for any resulting accidents.

OPERATOR SAFETY INSTRUCTIONS



WARNING



AVERTISSEMENT



ADVERTENCIA

DANGER means:	Severe bodily injury or death can occur to you or other personnel if the DANGER statements found on this machine or in this Owner's Manual are ignored or are not adhered to. Read and observe all DANGER statements found in this Owner's Manual and on your machine.
WARNING means:	Injury can occur to you or to other personnel if the WARNING statements found on your machine or in this Owner's Manual are ignored or are not adhered to. Read and observe all WARNING statements found in this Owner's Manual and on your machine.
CAUTION means:	Damage can occur to the machine or to other property if the CAUTION statements found on your machine or in this Owner's Manual are ignored or are not adhered to. Read and observe all CAUTION statements found in this Owner's Manual and on your machine.



DANGER: Failure to read the Owner's Manual prior to operating or attempting any service or maintenance procedure to your machine could result in injury to you or to other personnel; damage to the machine or to other property could occur as well. You must have training in the operation of this machine before using it. **If you or your operator(s) cannot read English, have this manual explained fully before attempting to operate this machine.**



DANGER: To reduce the risk of fire, use only commercially available floor cleaners and waxes intended for machine application.



DANGER: Risk of explosion. Floor sanding can result in an explosive mixture of fine dust and air. To reduce risk of explosion, use floor sanding machine only in well ventilated area.



DANGER: Operating a machine that is not completely or fully assembled could result in injury or property damage. Do not operate this machine until it is completely assembled. Inspect the machine carefully before operation.



DANGER: Electrocution could occur if maintenance and repairs are performed on a unit that is not disconnected from the power source. Disconnect the power supply before attempting any maintenance or service. Always remove the electrical plug from the electrical outlet before changing the brush, pad or other attachment and before leaving the machine.



DANGER: Using a machine with a damaged power cord could result in an electrocution. Do not use the machine if the power cord is damaged. Do not use the electrical cord to move the machine.



WARNING: Maintenance and repairs performed by unauthorized personnel could result in damage or injury. Maintenance and repairs must be performed by authorized personnel only. Keep all fasteners tight. Keep adjustments according to specifications.



WARNING: Electrical components of this machine can "short-out" if exposed to water or moisture. Keep the electrical components of the machine dry. Wipe the machine down after each use. For storage, keep the machine in a dry building.










WARNING: Always use a three-wire electrical system connected to the electrical ground. For maximum protection against electric shock, use a circuit that is protected by a ground fault interrupter. Consult your electrical contractor.



WARNING: To prevent damage to the power cord, do not let the brush, pad, pad driver or wheels touch the power cord when the machine is running. Always lift the cord over the machine. Do not pull the power cord to move the machine.



WARNING: Operating a machine without observing all labels and instructional information could result in injury or damage. Read all machine labels before attempting to operate. Make sure all of the labels and instructional information are attached or fastened to the machine. Get replacement labels and decals from your authorized distributor.

-  **WARNING:** Use of this machine as a step or furniture could result in injury or damage. Do not use this machine as a step or furniture. Do not ride on this machine.
-  **WARNING:** To avoid injury keep hands, feet and loose clothing away from all moving parts of this machine.
-  **WARNING:** Injury to operator or bystanders could occur if an abrupt change in floor surface texture is encountered when using this machine. Abrupt change in floor surface texture can cause a sudden pulling motion by this machine. This sudden pulling motion can result in loss of control of the machine which could injure the operator or bystanders. Avoid motions that could cause machine to cross from a smooth floor surface to a carpeted or rough texture floor surface. Avoid motions that could allow the machine to come in contact with low obstacles, such as floor electrical outlets, door stops or entry molding, etc.
-  **WARNING:** Water solutions or cleaning materials used with this type of machine can leave wet areas on the floor surface. These areas can cause a dangerous condition for the operator or other persons. Always put CAUTION signs near the area being cleaned.
-  **WARNING:** Any alterations or modifications of this machine could result in damage to the machine or injury to the operator or other bystanders. Alterations or modifications not authorized by the manufacturer voids any and all warranties and liabilities.
-  **WARNING:** The Products sold with this Manual contain or may contain chemicals that are known to certain governments (such as the State of California, as identified in its Proposition 65 Regulatory Warning Law) to cause cancer, birth defects or other reproductive harm. In certain locations (including the State of California) purchasers of these Products that place them in service at an employment job site or a publicly accessible space are required by regulation to make certain notices, warnings or disclosures regarding the chemicals that are or may be contained in the Products at or about such work sites. It is the purchaser's responsibility to know the content of, and to comply with, any laws and regulations relating to the use of these Products in such environments. The Manufacturer disclaims any responsibility to advise purchasers of any specific requirements that may be applicable to the use of the Products in such environments.
-  **CAUTION:** The machine is heavy. Get assistance before attempting to transport or move it.

NOTE: This machine is intended for commercial use.

MACHINE INTRODUCTION

This product is intended for commercial use; polishing, spray buffing, scrubbing, stripping and rotary carpet shampooing.

revised 11/13

ACCESSORIES

The following accessories are available.

1. Polishing and waxing brushes.
2. Brushes with natural or synthetic bristles for scrubbing.
3. Brushes with steel wire bristles.
4. Synthetic pad holders.
5. Synthetic pads for polishing, scrubbing, stripping and spray buffing.
6. Brushes with metal or wood backs and with holes to let the solution flow through.
7. Solution tank.
8. Sanding discs.
9. Solution Buff Accessory.



WARNING: Use only brushes and accessories supplied by the manufacturer.

Machine Specifications

Model	CFP 130
Part Number	01281A
Voltage (Volts)	120
Frequency (Hz)	60
Current (Amps)	12.6
Pad /Brush Speed	175 rpm
Pad/Brush Size	13" (33 cm)
Power	1 hp (0.75 kW)
Gearbox	2 - Planet
Cord Length	50' (15 m)
Handle Tube	Tubular Steel
Main Frame	Die Cast Aluminum
Height w/handle	46" (117 cm)
Weight w/cord	81 lbs. (36.8 kg)

Model	CFP 170	CFP 170	CFP 1700	CFP 1700	CFP 1700 DS
Part Number	01280A	01310A	01320A	01350A	01431A
Voltage (Volts)	120	230	120	230	120
Frequency (Hz)	60	50	60	50	60
Current (Amps)	12.6	6.8	15	8.3	15/15
Pad /Brush Speed	175 rpm	145 rpm	175 rpm	145 rpm	180/320 rpm
Pad/Brush Size	17" (43 cm)				
Power	1 hp		1.5 hp		0.9 / 1.5 hp
Gearbox	2 - Planet		3-Planet		
Cord Length	50' (15 m)				
Handle Tube	Tubular Steel				
Main Frame	Die Cast Aluminum				
Height w/handle	46" (117 cm)				
Weight w/cord	83 lbs. (37.7 kg)		91 lbs. (41.1 kg)		77 lbs. (35 kg)

Model	CFP 200	CFP 200	CFP 2000	CFP 2000	CFP 2000 DS
Part Number	01360A	01390A	01400A	01401A	01430A
Voltage (Volts)	120	230	120	230	120
Frequency (Hz)	60	50	60	50	60
Current (Amps)	12.6	6.8	15	8.5	15 / 15
Pad/Brush Speed	175 rpm	145 rpm	175 rpm	145 rpm	180 / 320 rpm
Pad/Brush Size	20" (51 cm)				
Power	1 hp		1.5 hp		0.9 / 1.5 hp
Gearbox	2 Planet		3 Planet		
Cord Length	50' (15 m)				
Handle Tube	Tubular Steel				
Main Frame	Die Cast Aluminum				
Height w/handle	46" (117 cm)				
Weight w/cord	87 lbs. (39.5 kg)		95 lbs. (43.1 kg)		81 lbs. (37 kg)

HOW TO PREPARE THE MACHINE FOR OPERATION

UNCRATE THE MACHINE

When the machine is delivered, carefully inspect the shipping carton and the machine for damage. If damage is evident, save the shipping carton so that it can be inspected. Contact the Clarke Customer Service Department.

KNOW YOUR MACHINE (Figure 1)

- 1 Operator Handle Grips
- 2 Switch Lever Safety Lock Button
- 3 Switch Levers - Squeeze - ON / Release - OFF
- 4 Handle Release Compression Lever
- 5 Power Cord
- 6 Operator Handle
- 7 Cord Hook

⚠ WARNING! This machine contains moving parts. To reduce the risk of injury, always unplug the power cord before servicing.

INSTALLING THE BRUSH OR PAD HOLDER

Align the lugs with the corresponding slots in the brush or pad holder and turn the brush or pad holder counterclockwise to lock it in place (figure 2). To remove brush/pad holder, give it a quick, hard turn clockwise.

⚠ CAUTION! Using the wrong brush or pad on this machine can damage the floor or overload the motor.

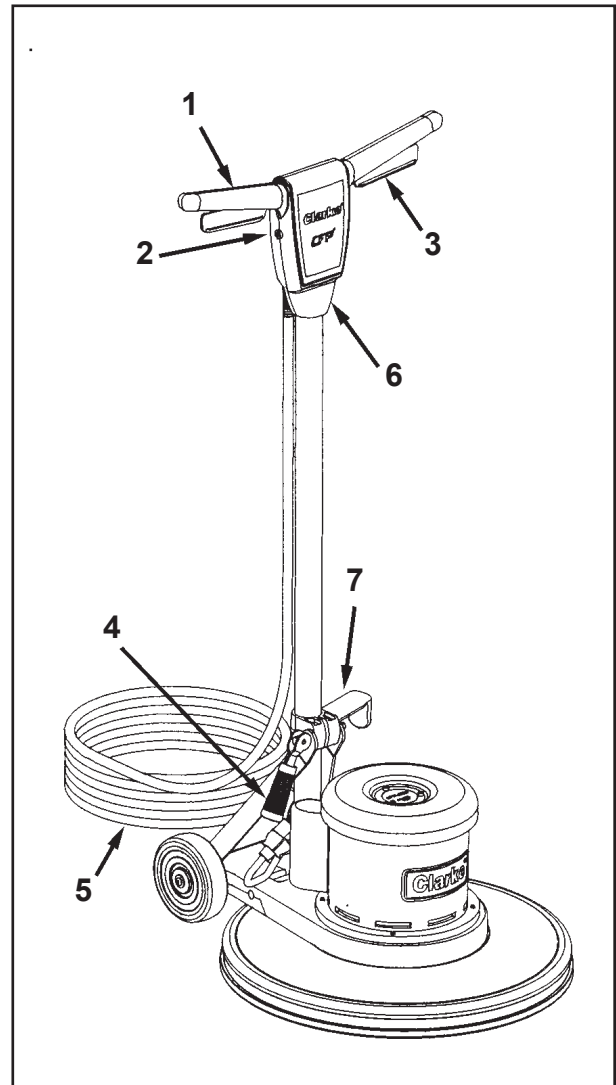


Figure 1

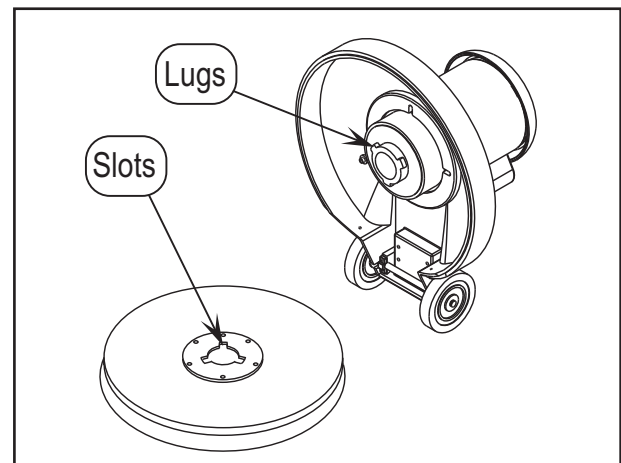


Figure 2

120 VOLT MACHINES

Instructions for connection to the power supply and the electrical ground.

This product must be grounded. If it should malfunction or breakdown, grounding provides a path of least resistance for electric current to reduce the risk of electrical shock. This product is equipped with a cord having an equipment-grounding conductor and grounding plug. The plug must be inserted into an appropriate outlet that is properly installed and grounded in accordance with all local codes and ordinances.

⚠ WARNING: Improper connection of the equipment-grounding conductor can result in a risk of electric shock. Check with a qualified electrician or service person if you are in doubt as to whether the outlet is properly grounded. Do not modify the plug provided with the product - if it will not fit the outlet, have a proper outlet installed by a qualified electrician.

This product is for use on a nominal 120 volt circuit and has a grounding attachment plug that looks like the plug illustrated in Fig. 3. Make sure that the product is connected to an outlet having the same configuration as the plug. No adaptor should be used with this product.

⚠ WARNING: To prevent possible electric shock, protect the machine from rain. Keep the machine in a dry building.

⚠ WARNING: To prevent possible electrical shock, always use a 3-wire electrical system connected to the electrical ground. For maximum protection against electrical shock, use a circuit that is protected by a ground fault circuit interrupter. Consult your electrical contractor.

⚠ WARNING: Do not cut, remove or break the ground pin. If the outlet does not fit the plug, consult your electrical contractor.

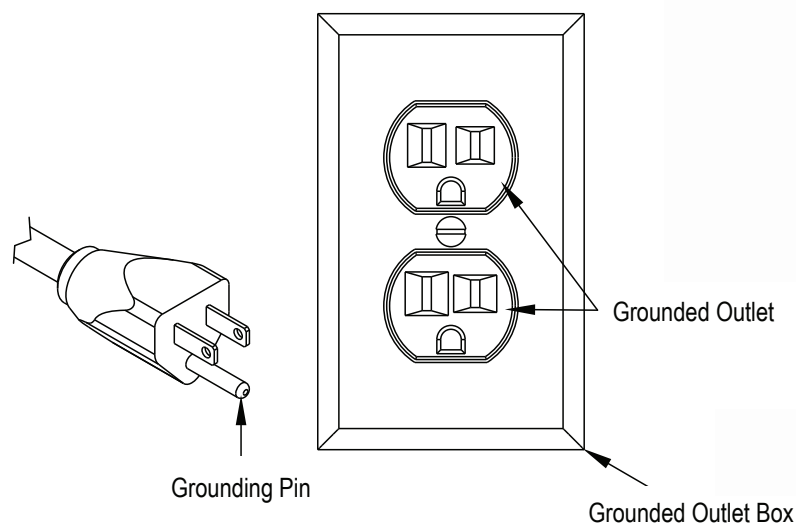
⚠ WARNING: Have worn, cut or damaged cords replaced by an authorized service person.

EXTENSION CORDS

Use only an approved extension cord with three conductors, a plug with three terminals, and a connector body with three holes. The machine has a power cord with wire size 14 AWG (AWG means American Wire Gauge).

⚠ WARNING: If you use an extension cord, use an extension cord with minimum wire size 12 AWG. Do not use an extension cord longer than 50 feet. Do not join two extension cords.

Figure 3



HOW TO OPERATE THE MACHINE

OPERATION (Figure 4)

- 1 Unwrap the Power Cord (5) and plug it into a properly grounded outlet.
- 2 Pull up on the Handle Release Compression Lever (4). Move the Operator Handle (6) downward until your arms are almost straight. Push down on the Handle Release Compression Lever (4) to lock it in place.
- 3 Lift up on the Operator Handle (6) until the brush (or pad) is flat against the floor.

⚠ WARNING! Be prepared to control the machine as soon as the motor starts. Just a slight up or down movement of the Handle will make the machine move from side to side. Raise the Handle to go right. Lower the Handle to go left.

⚠ CAUTION! Immediately start moving the machine back and forth. Keep the machine moving while the motor is running to avoid damage to the floor or carpet.

- 4 Hold one of the Operator Hand Grips (1) firmly, push the Safety Lock Button (2) and then compress the Switch Levers (3) to start the motor. NOTE: When the Switch Levers (3) are released, the machine shuts off immediately.

NOTE: When spray buffing, check the pad every 15 minutes for dirt and wax build-up. If the pad is dirty, turn it over to expose the clean side or install a clean pad.

AFTER USE (Figure 4)

- 1 Place the Operator Handle (6) in the upright position and unplug the Power Cord (5). Wrap the Power Cord (5) around the Operator Handle Grips (1) and the Cord Hook (7).
- 2 Remove the pad holder or brush from the machine. Clean the pad or brush and hang it up to dry. Allow buffing pads to dry completely before using again. Store brushes and pad holders separate from the machine. Never store the machine with the pad holder or brush on the machine.
- 3 Wipe the entire machine with a clean, damp cloth. Wipe the underside of the brush housing after wet use.
- 4 Inspect the entire machine and all accessories for damage. Perform any required maintenance or repairs before storage.
- 5 Store the machine in a clean, dry place with the Operator Handle (6) locked in the upright position.

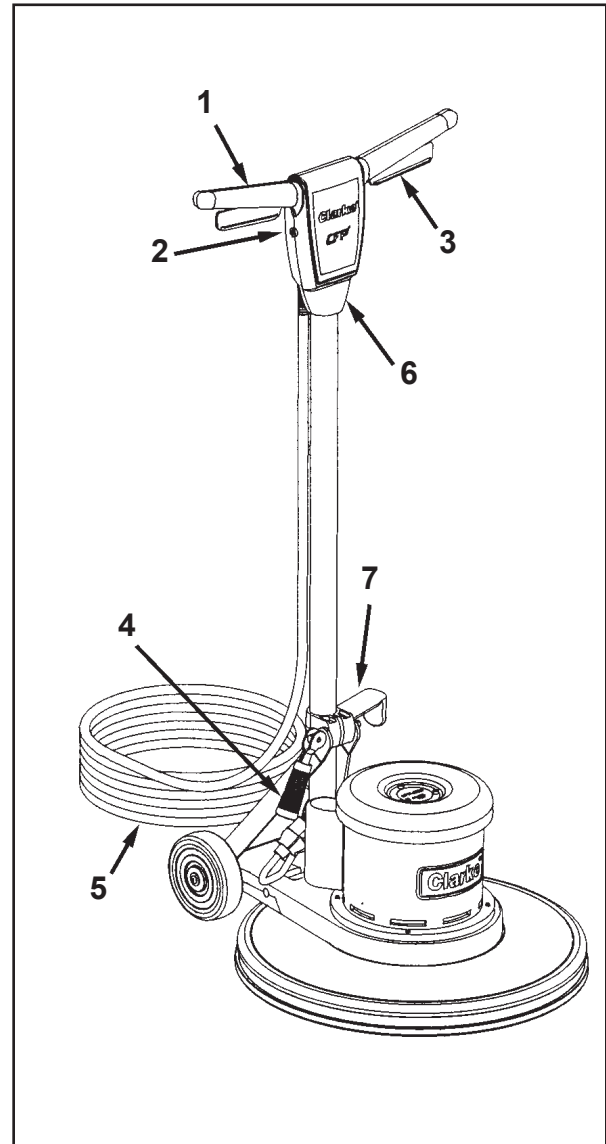


Figure 4

TROUBLESHOOTING**SWIRLS ON THE FLOOR AFTER SCRUBBING**

- Floor not clean.
- Incorrect solution.
- Area not properly swept - debris in pad or brush.
- Improper pad or brush for the job.
- Moving the machine too fast.

SWIRLS ON THE FLOOR AFTER DRY BUFFING

- Moving the machine too fast.
- Floor finish too soft.
- Area not properly swept - debris in pad or brush.
- Improper pad or brush for the job.

CIRCLES ON THE FLOOR

- Machine standing still while the brush or pad is running.

FLOOR FINISH REMOVED

- Improper pad... too aggressive.
- Solution too strong.

MACHINE WOBBLER DURING OPERATION

- Defective pad... one side is more dense than the other.
- Machine left sitting on brush or pad for extended period of time causing bristles or pad to "take a set".
- Pad not "seated" properly into pad holder bristles.
- Warped block on brush or padholder - replace.

MACHINE DOES NOT RUN

- Check plug for proper connection - on machine and at wall outlet.
- Check building circuit breaker.
- Call for service.

LIGHT ON 1700DS / 2000DS MOTOR ILLUMINATES

- Stop operating machine within 6 hours
- Call for service
- Replace carbon motor brushes.

LIBRO DE INSTRUCCIONES

LEA ESTE LIBRO



CUIDADO: Lea el Libro de Instrucciones antes de usar este aparato.

Contiene información importante para el uso y funcionamiento correcto y seguro de la máquina. Lea este libro completamente antes de arrancar la máquina o hacer cualquier operación de mantenimiento. Si no sigue las instrucciones, corre el peligro de herirse o causar lesiones al personal, o causar daños importantes a la máquina o a su entorno. Antes de usar la máquina, es indispensable seguir una formación. Si Usted (o el operador) no habla español, solicite (o proporciónele) todas las informaciones necesarias. El libro está traducido en otros idiomas.

Todas las indicaciones de dirección dadas en este libro están dadas desde la posición del operador en la parte de atrás de la máquina.

Puede Ud. conseguir libros suplementarios dirigiéndose a su distribuidor Clarke.

INDICE

Instrucciones de seguridad para el operador 13

Presentación de la máquina 14

Accesorios 15

Especificaciones de la pulidora 16

Preparación de la máquina para trabajar 17

Instrucciones para la conexión con la red 120 V 18

Funcionamiento de la máquina 19

Detección De Problemas 20

SECCION II PIEZAS Y SERVICIO 32 – 37



ADVERTENCIA:

Los Productos a la venta en este Manual contienen, o pueden contener, productos químicos reconocidos por algunos gobiernos (como el Estado de California, según lo indica en su Proposición 65, Ley de Advertencia Regulatoria) como causantes de cáncer, defectos de nacimiento u otros daños reproductivos. En algunas jurisdicciones (incluido el Estado de California), los compradores de estos Productos que los coloquen en servicio en un emplazamiento laboral o en un espacio de acceso público tienen la obligación regulatoria de realizar determinados avisos, advertencias o divulgaciones respecto de los productos químicos contenidos o posiblemente contenidos en los Productos utilizados en tal lugar. Es la responsabilidad del comprador conocer y cumplir con todas las leyes y reglamentaciones relacionadas con el uso de estos Productos en tales entornos. El Fabricante niega toda responsabilidad de informar a los compradores sobre requisitos específicos que pueden regir el uso de los Productos en tales entornos.

MODIFICACIONES

Las modificaciones y los agregados a la máquina de limpieza que afecten su capacidad y su funcionamiento seguro no serán realizados por el cliente o el usuario sin la autorización previa y por escrito de Nilfisk-Advance Inc. Las modificaciones que no cuenten con la aprobación correspondiente anularán la garantía de la máquina y harán que el cliente sea responsable de cualquier accidente resultante.

INSTRUCCIONES PARA LA SEGURIDAD DEL OPERADOR



WARNING



AVERTISSEMENT



¡ AVISO !

- ¡ **PELIGRO !** : Si no sigue la indicación **PELIGRO**, se pueden causar lesiones graves, incluso mortales. Lea y siga todas las indicaciones **PELIGRO** que se encuentran en el libro y en la máquina.
- ¡ **AVISO !** : Si no sigue la indicación **AVISO**, se pueden causar lesiones sea al operador sea a otro personal y/o daños materiales. Lea y siga todas las indicaciones **AVISO** que se encuentran en el libro y en la máquina.
- ¡ **CUIDADO !** : Si no sigue la indicación **CUIDADO**, se puede estropear la máquina o causar daños materiales. Lea y siga las indicaciones **CUIDADO** que se encuentran en el libro y en la máquina.



¡ **CUIDADO !** Siempre lea este libro de instrucciones antes de arrancar la máquina o hacer un mantenimiento. A falta de esta precaución, corre el peligro de herirse o causar lesiones a colegas ; podría Ud. también causar daños a la máquina o a su lugar de trabajo. Se debe aprender el manejo de esta máquina antes de usarla. Si Usted (o su plantilla) no conoce el español, se ruega dejarse explicar todo el libro antes de usar la máquina.



¡ **CUIDADO !** Para evitar un peligro de incendio, use sólo productos de limpieza y cera para el suelo especialmente concebidos para máquinas.



¡ **CUIDADO !** Peligro de explosión : mientras apomaza un parqué, una mezcla explosiva de partículas de polvo y aire puede formarse. Para reducir el peligro de explosión, use la máquina sólo en locales perfectamente ventilados.



¡ **CUIDADO !** Si usa una máquina antes de que esté completamente montada, corre el peligro de herirse o causar daños materiales. No opere la máquina antes de que esté completamente montada. Compruebe cuidadosamente el estado de la máquina antes de cada utilización.



¡ **CUIDADO !** Si efectúa un mantenimiento o una reparación sin desconectar la máquina, hay un riesgo de electrocución. Desconecte el enchufe de la caja conectada con la red antes de empezar el mantenimiento o la reparación. Siempre desconecte el enchufe de la caja de enchufe conectada con la red antes de cambiar el cepillo, el disco o cualquier otro accesorio y si deja la máquina sin vigilarla.












¡ **CUIDADO !** Si opera la máquina con un cable de alimentación estropeado, se puede causar una electrocución. No use nunca la máquina si el cable de alimentación está estropeado. No tire de la máquina usando el cable eléctrico.



¡ **AVISO !** Una reparación o un mantenimiento efectuado por personas no cualificadas puede causar lesiones y/o daños materiales. Todas las operaciones de mantenimiento o de reparación de la máquina deben ser efectuadas por técnicos cualificados. Compruebe que las fijaciones están correctamente apretadas. Haga reglajes conforme a las indicaciones dadas en el libro.



¡ **AVISO !** Hay un riesgo de cortocircuito si los componentes eléctricos de una máquina están expuestos a la humedad o son mojados. Procure que los componentes eléctricos sean siempre secos. Seque cuidadosamente la máquina después de cada utilización. Guarde la máquina en un local seco.

-  ¡ AVISO ! Use siempre un cable con tres conductores puestos a tierra. Para una protección óptima, conecte la máquina con una caja de enchufe conectada con la red que tiene un diferencial. Si tiene alguna duda, sírvase acudir a un eléctrico cualificado.
-  ¡ AVISO ! Para evitar daños al cable de alimentación, procure que el cepillo, el disco, el portadisco o las ruedas no toquen el cable, cuando la máquina funciona. Levante siempre el cable por encima de la máquina. No tire de la máquina para acercarla a la máquina.
-  ¡ AVISO ! Si usa la máquina sin respetar todas las instrucciones escritas en los adhesivos y los carteles, corre el peligro de causar lesiones y daños materiales. Lea todas las indicaciones escritas en la máquina antes de la primera utilización. Compruebe que todos los adhesivos y las instrucciones estén colocados en los sitios previstos. Si es preciso, haga un nuevo pedido a su distribuidor Clarke.
-  ¡ AVISO ! No use la máquina como escabel o mueble. Corre el peligro de causar lesiones o daños materiales. No use la máquina como medio de transporte.
-  ¡ AVISO ! Para evitar herirse, sírvase mantener una distancia de seguridad suficiente entre las partes móviles de la máquina y sus manos o sus pies. No lleve ropas holgadas.
-  ¡ AVISO ! Una modificación brusca de la textura del suelo puede causar un sobresalto de la máquina de la cual el operador pierde momentáneamente el dominio. Eso puede causar lesiones al operador o a otras personas encontrándose cerca. Procure que la máquina no pase de una superficie lisa a una alfombra o una superficie más rugosa. Procure que la máquina no esté en contacto con cajas de enchufe colocadas en el suelo, topes de puerta o casquillos, etc.
-  ¡ AVISO ! Las soluciones acuosas o los productos de limpieza usados con esta máquina pueden dejar zonas húmedas en el suelo, que pueden ser causa de peligro para el operador u otras personas. Ponga siempre señales de PRECAUCION cerca de la superficie que está limpiando.
-  ¡ AVISO ! Esta máquina pesa. Transpórtela o desplácela con ayuda de otra persona.
-  ¡ ADVERTENCIA! Los Productos a la venta en este Manual contienen, o pueden contener, productos químicos reconocidos por algunos gobiernos (como el Estado de California, según lo indica en su Proposición 65, Ley de Advertencia Regulatoria) como causantes de cáncer, defectos de nacimiento u otros daños reproductivos. En algunas jurisdicciones (incluido el Estado de California), los compradores de estos Productos que los coloquen en servicio en un emplazamiento laboral o en un espacio de acceso público tienen la obligación regulatoria de realizar determinados avisos, advertencias o divulgaciones respecto de los productos químicos contenidos o posiblemente contenidos en los Productos utilizados en tal lugar. Es la responsabilidad del comprador conocer y cumplir con todas las leyes y reglamentaciones relacionadas con el uso de estos Productos en tales entornos. El Fabricante niega toda responsabilidad de informar a los compradores sobre requisitos específicos que pueden regir el uso de los Productos en tales entornos.

NOTA : Esta máquina es de uso comercial.

PRESENTACION DE LA MAQUINA


Este producto se ha fabricado para el uso comercial: pulido, pulido con rociado, limpieza, fregado y lavado giratorio de alfombras.

revised 11/13

ACCESORIOS

Los accesorios siguientes son disponibles :

1. Cepillos para encerar y pulir.
2. Cepillos para fregar con filamentos en fibras naturales o sintéticas.
3. Cepillos de alambre de acero.
4. Portadiscos sintéticos.
5. Discos sintéticos para pulir, fregar, decapar y lustrar con tampón.
6. Cepillos con el dorso de metal o de madera y con canales para dispersar la solución.
7. Depósito de solución.
8. Discos para pulir.
9. Juego de accesorios para lustrar por pulverización con tampón.

 **AVISO: Utilice únicamente las escobillas y los accesorios suministrados por el fabricante.**

Especificaciones de la pulidora

Modelo	CFP 130
Número de código	01281A
Tensión (V)	120
Frecuencia (Hz)	60
Corriente (A)	12.6
Velocidad de la almohadilla/el cepillo	175 rpm
Tamaño de la almohadilla/el cepillo	13" (33 cm)
Potencia	1 hp (0.75 kW)
Transmisión	2-Engranaje planetario
Longitud del cable	50' (15 m)
Tubo de la manija	Acero tubular
Base	Alumminio fundido a presión
Peso con manija	46" (117 cm)
Peso (con cable)	81 lbs. (36.8 kg)

Modelo	CFP 170	CFP 170	CFP 1700	CFP 1700	CFP 1700 DS
Número de código	01280A	01310A	01320A	01350A	01431A
Tensión (V)	120	230	120	230	120
Frecuencia (Hz)	60	50	60	50	60
Corriente (A)	12.6	6.8	15	8.3	15 / 15
Velocidad de la almohadilla/el cepillo	175 rpm	145 rpm	175 rpm	145 rpm	180 / 320 rpm
Tamaño de la almohadilla/el cepillo	17" (43 cm)				
Potencia	0.75 kW		1.1 kW		0.67 / 1.1 kW
Transmisión	2-Engranaje planetario		3-Engranaje planetario		
Longitud del cable	50' (15 m)				
Tubo de la manija	Acero tubular				
Base	Alumminio fundido a presión				
Peso con manija	46" (117 cm)				
Peso (con cable)	83 lbs. (37.7 kg)		91 lbs. (41.1 kg)		77 lbs. (35 kg)

Modelo	CFP 200	CFP 200	CFP 2000	CFP 2000	CFP 2000 DS
Número de código	01360A	01390A	01400A	01401A	01430A
Tensión (V)	120	230	120	230	120
Frecuencia (Hz)	60	50	60	50	60
Corriente (A)	12.6	6.8	15	8.5	15 / 15
Velocidad de la almohadilla/el cepillo	175 rpm	145 rpm	175 rpm	145 rpm	180 / 320 rpm
Tamaño de la almohadilla/el cepillo	20" (51 cm)				
Potencia	0.75 kW		1.1 kW		0.67 / 1.1 kW
Transmisión	2-Engranaje planetario		3-Engranaje planetario		
Longitud del cable	50' (15 m)				
Tubo de la manija	Acero tubular				
Base	Alumminio fundido a presión				
Peso con manija	46" (117 cm)				
Peso (con cable)	87 lbs. (39.5 kg)		95 lbs. (43.1 kg)		81 lbs. (36.8 kg)

PREPARACION DE LA MAQUINA PARA TRABAJAR

DESEMBALAJE DE LA MÁQUINA

Cuando reciba la máquina, inspeccione con cuidado la caja de embarque y la máquina, para verificar si hay algún daño. Si hay algún daño evidente, guarde la caja de embarque de modo que se la pueda inspeccionar. Comuníquese con el Departamento de Atención al Cliente de Clarke.

FAMILIARÍCESE CON SU MÁQUINA (Figura 1)

- 1 Manijas para el operador
- 2 Botón de cierre de seguridad de la palanca de maniobras
- 3 Palancas de maniobras - Apretar - ENCENDIDO (ON) / Aflojar - APAGADO (OFF)
- 4 Palanca de compresión para soltar la manija
- 5 Cable de energía
- 6 Manija para el operador
- 7 Gancho para el cable

⚠ ¡ADVERTENCIA! Esta máquina contiene piezas en movimiento. Para reducir el riesgo de lesiones, siempre desconecte el cable de energía antes de realizar el mantenimiento de la máquina.

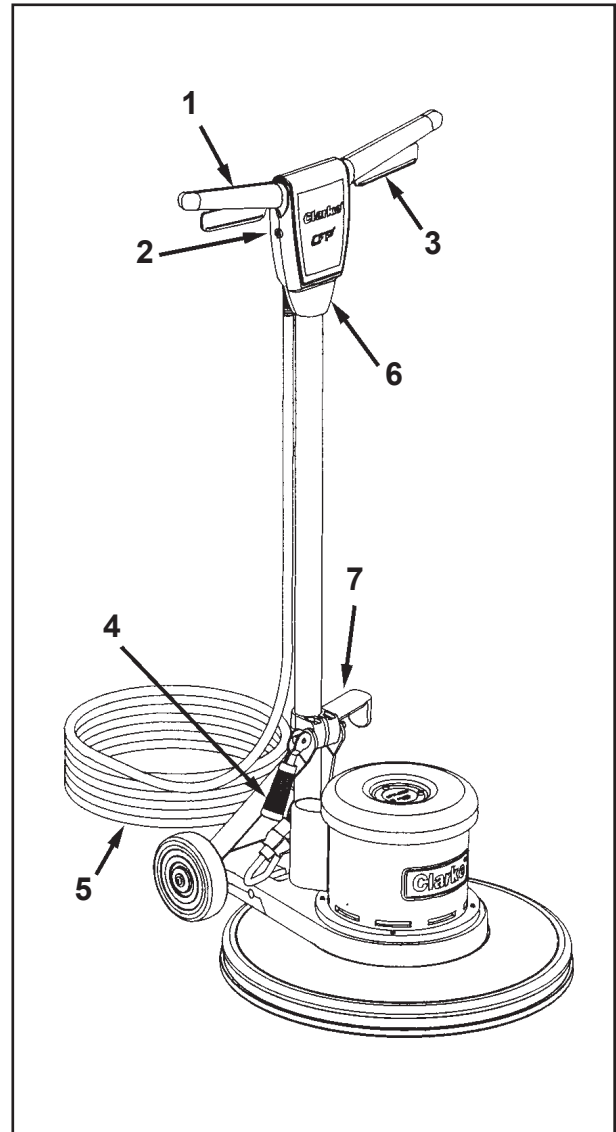


Figura 1

INSTALACIÓN DEL CEPILLO O DEL SOPORTE DE LA ALMOHADILLA

Alinee las lengüetas con las ranuras correspondientes del cepillo o del soporte de la almohadilla y gire el cepillo o el soporte de la almohadilla en sentido anti-horario para que quede fijo en su lugar (figura 2). Para retirar el cepillo/soporte de la almohadilla, gírelo rápida y firmemente en sentido horario.

⚠ ¡PRECAUCIÓN! El uso de un cepillo o almohadilla incorrectos en esta máquina puede dañar el piso o sobrecargar el motor.

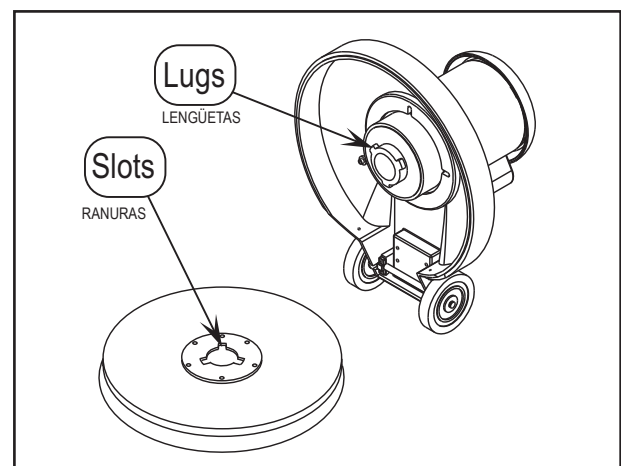


Figura 2

MAQUINAS 120 V.

INSTRUCCIONES PARA LA CONEXION ELECTRICA DE LA MAQUINA

La máquina debe ser puesta a tierra. En caso de malfuncionamiento o de avería, el hilo de tierra es un camino de menor resistencia que permite el paso de corriente ; por lo cual se reduce el riesgo de choque eléctrico. La máquina tiene un cable de alimentación con tres conductores y un enchufe con tres clavijas de las cuales una está puesta a tierra. El enchufe solo puede ser conectado con una caja de enchufe reglamentaria, puesta a tierra con todas las reglas del arte y conforme a los reglamentos locales.

⚠ AVISO : Una conexión incorrecta del conductor de puesta a tierra puede causar un choque eléctrico. Acuda a un técnico autorizado o a un electricista si tiene alguna duda acerca de la puesta a tierra correcta de la caja de enchufe conectada con la red. Nunca modifique el enchufe suministrado con la máquina. Si no encaja el enchufe en la caja de enchufe conectada con la red, haga instalar una caja de enchufe adecuada por un electricista autorizado.

Esta máquina debe funcionar en un circuito de potencia nominal de 120 V. Tiene un enchufe con una clavija de puesta a tierra semejante al enchufe reproducido en la figura 3. Compruebe que la máquina esté conectada con una caja de enchufe que tiene la configuración adecuada. No utilice ningún adaptador.

⚠ AVISO: Para evitar el peligro de choque eléctrico, proteja la máquina de la lluvia. Guárdela en un local seco.

⚠ AVISO: Para evitar el peligro de electrocución, conecte la máquina con una red que tiene tres conductores, está puesta a tierra y tiene un diferencial. Si tiene alguna duda, diríjase a un electricista autorizado.

⚠ AVISO: Nunca rompa, quite o corte la clavija de puesta a tierra. Si la caja de enchufe no corresponde al enchufe, acude a un electricista autorizado.

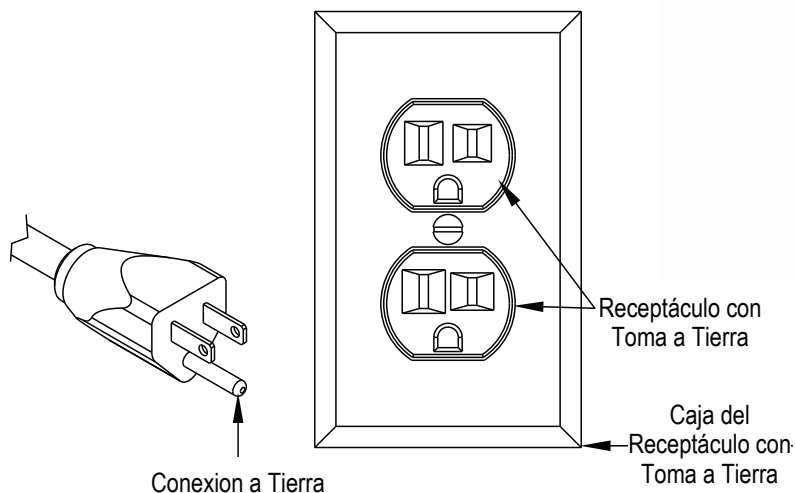
⚠ AVISO: Si el cable de alimentación está desgastado, dañado o cortado, hágalo cambiar inmediatamente por un técnico autorizado.

AÑADIDOS

Use sólo un añadido con tres conductores, de los cuales uno está puesto a tierra, y con un enchufe con tres clavijas y un conector con tres aberturas. La máquina tiene un cable de alimentación de 14 AWG (American Wire Gauge) (Calibre estadounidense para alambre) de sección.

⚠ ¡ AVISO ! Use un añadido de cable de 12 AWG de sección. No use ningún añadido de más de 50 pies de largo. Nunca conecte dos añadidos.

Figura 3



FUNCIONAMIENTO DE LA MAQUINA

FUNCIONAMIENTO (Figura 4)

- 1 Desenrolle el cable de energía (5) y enchúfelo en una toma con adecuada conexión a tierra.
- 2 Tire de la palanca de compresión para aflojar la manija hacia arriba (4). Mueva la palanca del operador (6) hacia abajo hasta que sus brazos estén casi rectos. Empuje hacia abajo sobre la palanca de compresión para aflojar la manija (4) para fijarla en su lugar.
- 3 Levante la manija para el operador (6) hasta que el cepillo (o la almohadilla) quede horizontal contra el piso.

⚠ ¡ADVERTENCIA! Esté preparado para controlar la máquina tan pronto como arranque el motor. Apenas un pequeño movimiento de la manija hacia arriba o hacia abajo hará que la máquina se desplace de un lado al otro. Levante la manija para ir hacia la derecha. Baje la manija para ir hacia la izquierda.

⚠ ¡PRECAUCIÓN! Inmediatamente comience a mover la máquina hacia adelante y hacia atrás. Para evitar dañar el piso o la alfombra, mantenga la máquina en movimiento mientras el motor se encuentre en funcionamiento.

- 4 Sostenga firmemente una de las manijas para el operador (1), empuje el botón de cierre de seguridad (2) y luego comprima las palancas de maniobras (3) para arrancar el motor. NOTA: Cuando se sueltan las palancas de maniobras (3), la máquina se detiene inmediatamente.

NOTA: Cuando realice pulido con rociado, controle la almohadilla cada 15 minutos para verificar la acumulación de suciedad y cera. Si la almohadilla está sucia, déla vuelta para que quede expuesto el lado limpio, o instale una almohadilla limpia.

DESPUÉS DEL USO (Figura 4)

- 1 Coloque la manija para el operador (6) en posición vertical y desconecte el cable de energía (5). Enrolle el cable de energía (5) alrededor de las manijas para el operador (1) y del gancho del cable (7).
- 2 Saque el soporte de la almohadilla o el cepillo de la máquina. Limpie la almohadilla o el cepillo y cuélguela(o) para que se seque. Deje secar las almohadillas de pulido completamente antes de usarlas nuevamente. Guarde los cepillos y los soportes de almohadilla separados de la máquina. Nunca guarde la máquina con el soporte de la almohadilla o el cepillo colocado.
- 3 Limpie toda la máquina con un trapo limpio y húmedo. Seque el lado inferior del alojamiento del cepillo después de usarlo con líquido.
- 4 Inspeccione toda la máquina y todos los accesorios para verificar si hay daños. Realice el mantenimiento o las reparaciones que sean necesarias antes de guardar la máquina.
- 5 Guarde la máquina en un lugar limpio y seco, con la manija para el operador (6) trabada en posición vertical.

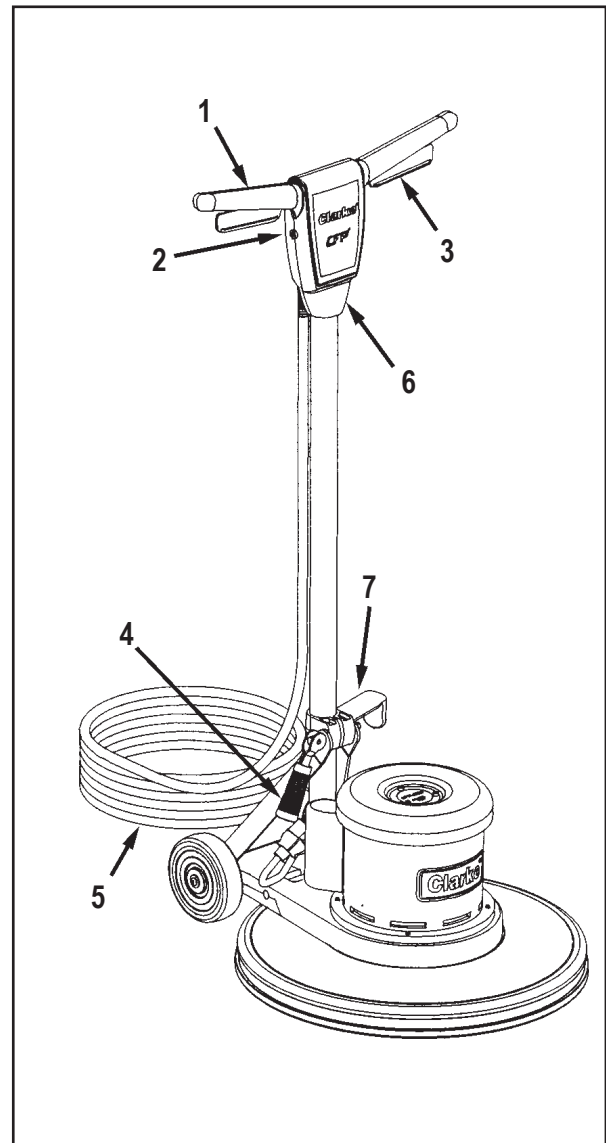


Figura 4

DETECCIÓN DE PROBLEMAS**REMOLINOS EN EL PISO DESPUÉS DE LA LIMPIEZA**

- El piso no está limpio.
- La solución no es adecuada.
- El área no está adecuadamente barrida - hay suciedad en la almohadilla o el cepillo.
- Uso de almohadilla o cepillo incorrecto para la tarea.
- La máquina se desplaza demasiado rápido.

REMOLINOS EN EL PISO DESPUÉS DEL PULIDO EN SECO

- La máquina se desplaza demasiado rápido.
- El acabado del piso es demasiado blando.
- El área no está adecuadamente barrida - hay suciedad en la almohadilla o el cepillo.
- Uso de almohadilla o cepillo incorrecto para la tarea.

CÍRCULOS EN EL PISO

- La máquina está detenida en un lugar mientras el cepillo o la almohadilla siguen funcionando.

DESPRENDIMIENTO DE ACABADO DEL PISO

- Almohadilla incorrecta.... demasiado agresiva.
- Solución demasiado fuerte.

LA MÁQUINA SE BAMBOLEA DURANTE EL FUNCIONAMIENTO

- Almohadilla defectuosa... un lado es más denso que el otro.
- La máquina queda asentada sobre el cepillo o la almohadilla por un período de tiempo prolongado, lo cual hace que las cerdas o la almohadilla adopten cierta "forma".
- La almohadilla no "asienta" adecuadamente en las cerdas del soporte de la almohadilla.
- Bloque combado en el cepillo o en el soporte de la almohadilla - cámbielo.

LA MÁQUINA NO FUNCIONA

- Verifique el enchufe para ver si está bien conectado - tanto en la máquina como en la toma de pared.
- Controle el disyuntor de circuitos del edificio.
- Llame al servicio técnico.

SE ILUMINA LUZ EN EL MOTOR 2000DS

- Detenga el funcionamiento de la máquina en 6 horas.
- Llame al servicio técnico.
- Reemplace las escobillas de carbón del motor.

MANUEL D'UTILISATION**LISEZ CE MANUEL**

 **ATTENTION:** Lire le manuel d'utilisation avant de faire fonctionner l'appareil.

Il contient des informations importantes pour une utilisation correcte de la machine, en toute sécurité. Lisez-le complètement avant de mettre la machine en marche ou d'effectuer un entretien. A défaut, vous risqueriez de vous blesser ou de blesser d'autres membres du personnel, d'endommager sérieusement la machine ou de provoquer des dégâts dans son environnement. Avant de se servir de la machine, il est indispensable d'avoir reçu une formation. Si vous-même (ou l'opérateur) ne parlez pas français, veuillez demander (ou lui fournir) toutes les explications nécessaires. Des versions du manuel existent en d'autres langues.

Toutes les indications de direction figurant dans ce manuel sont visualisées depuis la position du conducteur, à l'arrière de la machine.

Pour toute commande de manuels, adressez-vous à votre revendeur Clarke.

INDEX

Consignes de sécurité pour l'opérateur	23
Présentation de la machine	24
Accessoires	25
Spécifications de la cireuse de série C2K	26
Préparation de la machine avant la mise en service	27
Instructions pour le raccordement au réseau 120V	28
Fonctionnement de la machine	29
Diagnostic.....	30
SECTION II, PIECES ET DEPANNAGE.....	32 - 37

 AVERTISSEMENT !

Les Produits vendus avec le présent manuel contiennent ou peuvent contenir des produits chimiques reconnus par certains gouvernements (comme l'État de Californie, par le biais de la proposition de loi d'avertissement réglementaire 65) comme provoquant des cancers, des anomalies congénitales et autres dangers pour la reproduction. Dans certains endroits (comme l'État de Californie), les acheteurs de ces Produits, qui les utilisent sur un lieu de travail ou dans un espace public, ont l'obligation d'apposer certains avis, avertissements ou informations concernant les produits chimiques qui sont ou peuvent être contenus dans les Produits dans ces lieux ou aux alentours de ces lieux de travail. Il incombe à l'acheteur de connaître les dispositions de, et de respecter, toutes les lois et réglementations ayant trait à l'utilisation de ces Produits au sein de tels environnements. Le Fabricant rejette toute responsabilité d'informer les acheteurs concernant des exigences spécifiques qui peuvent s'appliquer à l'utilisation des Produits dans de tels environnements.

ALTÉRATIONS

Les altérations et ajouts d'éléments à la machine de lavage, qui affectent ses capacités et son fonctionnement sécurisé, ne doivent pas être réalisés sans le consentement préalable et écrit de Nilfisk-Advance Inc. Toute altération non approuvée annulera la garantie de la machine. En outre, le client sera entièrement responsable des accidents associés.

INSTRUCTIONS POUR LA SECURITE DE L'OPERATEUR



WARNING



AVERTISSEMENT



! AVISO !

! DANGER !

Le non-respect des consignes précédées du mot DANGER peut occasionner des blessures graves, voire entraîner la mort. Lisez et respectez toutes les consignes DANGER figurant dans ce manuel et sur la machine.

AVERTISSEMENT

Le non-respect des consignes AVERTISSEMENT peut entraîner des blessures pour l'opérateur ou d'autres membres du personnel et/ou occasionner des dégâts matériels. Lisez et respectez toutes les consignes AVERTISSEMENT figurant dans ce manuel et sur la machine.

ATTENTION

Le non-respect des consignes signalées par le mot ATTENTION peut entraîner des dégâts à la machine ou dans son environnement. Lisez et observez toutes les consignes ATTENTION figurant dans ce manuel et sur la machine.

**! DANGER !**

Lisez toujours ce manuel d'instructions avant de mettre la machine en service ou de procéder à un entretien. A défaut, vous risqueriez de vous blesser ou de blesser des collègues de travail; vous pourriez également provoquer des dégâts à la machine ou sur votre lieu de travail. Vous devez avoir reçu une formation avant d'utiliser la machine. Si vous (ou les membres de votre personnel) ne connaissez pas le français, veuillez vous faire expliquer le manuel complètement avant de commencer à utiliser la machine.

**! DANGER !**

Pour éviter tout risque d'incendie, n'utiliser que des produits de nettoyage et des cires pour sol spécialement conçus pour un usage en machine

**! DANGER !**

Risque d'explosion : lors du ponçage d'un parquet, un mélange explosif de particules de fine poussière et d'air peut se former. Pour réduire le risque d'explosion, n'utiliser la machine que dans des locaux parfaitement ventilés.

**! DANGER !**

Si vous utilisez une machine avant qu'elle ne soit complètement montée, vous risquez de vous blesser ou de provoquer des dégâts matériels. Ne mettez pas la machine en service avant qu'elle ne soit complètement montée. Vérifiez soigneusement l'état de la machine avant chaque utilisation.

**! DANGER !**

Si vous procédez à un entretien ou à une réparation sans avoir débranché la machine, il y a risque d'électrocution. Débranchez la fiche de la prise réseau avant de commencer tout entretien ou toute réparation. Débranchez toujours la fiche de la prise réseau avant de changer la brosse, le disque ou tout autre accessoire et si vous laissez la machine sans surveillance.

**! DANGER !**









L'utilisation d'une machine lorsque le câble d'alimentation est endommagé peut provoquer une électrocution. Ne jamais utiliser la machine si le câble d'alimentation est endommagé. Ne pas utiliser le câble électrique pour tirer la machine.

**AVERTISSEMENT**

Un entretien ou des réparations effectués par des personnes non qualifiées risque de provoquer des blessures et/ou des dégâts matériels. Tous les travaux d'entretien ou de réparation de la machine doivent être effectués par des techniciens qualifiés. Bien veiller à ce que les fixations soient correctement serrées. Effectuer les réglages conformément aux indications figurant dans le manuel.

**AVERTISSEMENT**

Risque de court-circuit si les composants électriques d'une machine ont été exposés à l'humidité ou sont mouillés. Veillez à ce que les composants électriques soient toujours secs. Essuyer soigneusement la machine après chaque utilisation. Entreposer la machine dans un local sec.

-  **AVERTISSEMENT** Utiliser toujours un câble à trois conducteurs, relié à la terre. Pour une protection optimale, branchez la machine sur une prise réseau équipé d'un différentiel. En cas de doute, veuillez faire appel à un électricien qualifié.
-  **AVERTISSEMENT** Pour éviter d'endommager le câble d'alimentation, veillez à ce que la brosse, le disque, le porte-disque ou les roues ne touchent pas le câble, lorsque la machine fonctionne. Soulevez toujours le câble au-dessus de la machine. Ne tirez pas le câble pour faire avancer la machine.
-  **AVERTISSEMENT** Si vous utilisez une machine sans respecter toutes les consignes figurant sur les auto-collants et les panneaux d'instructions, vous risquez de provoquer des blessures et des dégâts matériels. Lisez toutes les indications figurant sur la machine avant la première utilisation. Vérifiez que tous les auto-collants et les instructions sont positionnés aux endroits requis. Au besoin, recommandez-en chez votre revendeur Clarke.
-  **AVERTISSEMENT** Ne pas utiliser cette machine comme escabeau ou comme meuble. Risque de blessure ou de dégât matériel. Ne pas utiliser la machine comme moyen de transport.
-  **AVERTISSEMENT** Pour éviter d'être blessé, veillez à maintenir une distance de sécurité suffisante entre les parties mobiles de la machine et vos mains ou vos pieds. Ne portez pas de vêtements amples.
-  **AVERTISSEMENT** Une modification abrupte de la texture du sol peut provoquer un sursaut de la machine qui échapperait ainsi momentanément au contrôle de l'opérateur, risquant de le blesser ou de blesser des personnes se trouvant à proximité immédiate. Soyez attentif à ne pas faire passer la machine d'une surface lisse sur un tapis ou sur une surface plus rugueuse. Veillez à ce que la machine n'entre pas en contact avec des prises électriques placées dans le sol, des arrêts de porte ou des entretoises, etc.
-  **AVERTISSEMENT** Les solutions aqueuses ou les produits de nettoyage utilisés avec ce type de machine peuvent laisser des zones humides sur le sol, qui représentent un danger potentiel pour l'opérateur ou pour d'autres personnes. Placez toujours des panneaux d'avertissement "ATTENTION" près de la surface que vous nettoyez.
-  **AVERTISSEMENT** Cette machine est lourde. Faites-vous aider pour la transporter ou pour la déplacer.

NOTE: Cette machine est destinée à un usage commercial.

PRESENTATION DE LA MACHINE

Ce produit est prévu pour une utilisation commerciale; pour le polissage, nettoyage/polissage simultané, récurage, décapage et comme shampooineuse rotative pour moquettes.

ACCESSOIRES

Les accessoires suivants sont disponibles:

1. Brosses pour cirer et polir
2. Brosses de récurage, avec brins en fibres naturelles ou synthétiques.
3. Brosses avec brins en acier
4. Porte-disques synthétiques
5. Disques synthétiques pour le polissage, le récurage, le décapage et le lustrage au tampon.
6. Brosses avec dos en métal ou en bois et avec gouttières pour la dispersion de solution.
7. Réservoir de solution
8. Disques de ponçage
9. Kit d'accessoires pour le lustrage par pulvérisation au tampon.

 **AVERTISSEMENT: N'utiliser que les brosses et accessoires fournis par le fabricant.**

Spécifications de la cireuse de CFP

Modèle	CFP 130
Numéro de code	01281A
Tension (volts)	120
Fréquence (Hz)	60
Courant (Amps)	12.6
Vitesse du patin/brosse	175 rpm
Taille du patin/brosse	13" (33 cm)
Puissance	1 hp (0.75 kW)
Transmission	2-étages planétaires
Longueur du câble	50' (15 m)
Tube poignée	Acier tubulaire
Base	Aluminium moulé
Hauteur avec poignée	46" (117 cm)
Poids (avec câble)	81 lbs. (36.8 kg)

Modèle	CFP 170	CFP 170	CFP 1700	CFP 1700	CFP 1700DS
Numéro de code	01280A	01310A	01320A	01350A	01431A
Tension (volts)	120	230	120	230	120
Fréquence (Hz)	60	50	60	50	60
Courant (Amps)	12.6	6.8	15	8.3	15/15
Vitesse du patin/brosse	175 rpm	145 rpm	175 rpm	145 rpm	180/320 rpm
Taille du patin/brosse	17" (43 cm)				
Puissance	0.75 kW		1.1 kW		0.67 / 1.1 kW
Transmission	2-étages planétaires		3-étages planétaires		
Longueur du câble	50' (15 m)				
Tube poignée	Acier tubulaire				
Base	Aluminium moulé				
Hauteur avec poignée	46" (117 cm)				
Poids (avec câble)	83 lbs. (37.7 kg)		91 lbs. (41.1 kg)		77 lbs. (35 kg)

Modèle	CFP 200	CFP 200	CFP 2000	CFP 2000	CFP 2000DS
Numéro de code	01360A	01390A	01400A	01401A	01430A
Tension (volts)	120	230	120	230	120
Fréquence (Hz)	60	50	60	50	60
Courant (Amps)	12.6	6.8	15	8.5	15 / 15
Vitesse du patin/brosse	175 rpm	145 rpm	175 rpm	145rpm	180 / 320 rpm
Taille du patin/brosse	20" (51 cm)				
Puissance	0.75 kW		1.1 kW		0.67 / 1.1 kW
Transmission	2-étages planétaires		3-étages planétaires		
Longueur du câble	50' (15 m)				
Tube poignée	Acier tubulaire				
Base	Aluminium moulé				
Hauteur avec poignée	46" (117 cm)				
Poids (avec câble)	87 lbs. (39.5 kg)		95 lbs. (43.1 kg)		81 lbs. (36.8 kg)

PREPARATION DE LA MACHINE AVANT LA MISE EN SERVICE

DÉBALLER LA MACHINE

Lorsque la machine vous est livrée, contrôlez minutieusement que la boîte d'emballage et la machine ne présentent aucun dommage. Si elles sont endommagées, conservez la boîte d'emballage afin qu'elle puisse être inspectée. Contactez immédiatement le service d'entretien Clarke.

CONNAÎTRE VOTRE MACHINE (Figure 1)

- 1 Prises de la poignée de l'opérateur
- 2 Bouton de verrouillage de sécurité du levier d'interrupteur
- 3 Leviers d'interrupteur - Appuyer - MARCHE / Relâcher - ARRÊT
- 4 Levier de dégagement de la poignée
- 5 Câble d'alimentation
- 6 Manette de commande
- 7 Pince pour câble



AVERTISSEMENT! Cette machine contient des pièces mobiles. Afin de réduire le risque de blessures, déconnectez toujours le câble d'alimentation avant de procéder à l'entretien.

INSTALLER LE SUPPORT DE LA BROSSE OU PATIN

Alignez les tenons sur les fentes correspondantes dans le support de la brosse ou patin, et tournez le support dans le sens inverse des aiguilles d'une montre pour le bloquer fermement en place (figure 2). Pour retirer le support de la brosse ou patin, tournez-le fermement et rapidement dans le sens des aiguilles d'une montre.



ATTENTION! L'utilisation d'une brosse ou du patin incorrect sur cette machine risque d'endommager le sol ou de provoquer une surchauffe du moteur.

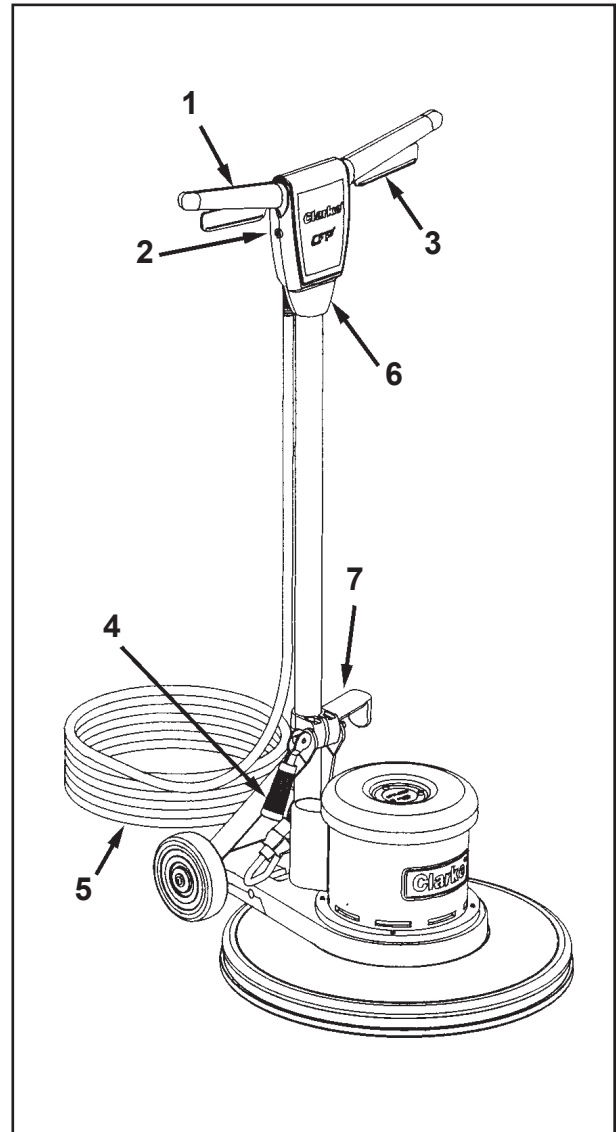


Figure 1

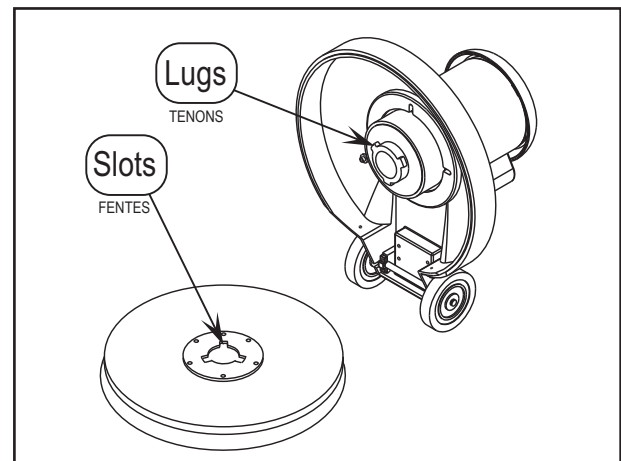


Figure 2

MACHINES 120 V.**INSTRUCTIONS POUR LE RACCORDEMENT ELECTRIQUE**

Cette machine doit être mise à la terre. En cas de dysfonctionnement ou de panne, le fil de terre constitue un chemin de moindre résistance qui permet le passage du courant, réduisant ainsi le risque de choc électrique. La machine est munie d'un câble d'alimentation à trois conducteurs et d'une fiche à trois broches, dont une sert à la mise à la terre. La fiche ne peut être branchée que dans une prise réglementaire, reliée à la terre selon les règles de l'art et qui satisfait à tous les règlements locaux.

⚠ AVERTISSEMENT: Une mise à la terre incorrecte peut provoquer un choc électrique. Si vous avez le moindre doute quant à la mise à la terre de votre prise réseau, faites-la vérifier par un électricien ou un technicien agréé. Ne modifiez jamais la fiche fournie avec la machine. Si la fiche ne rentre pas dans la prise réseau dont vous disposez, faites installer une prise adéquate par un électricien agréé.

Cette machine doit être utilisée sur un circuit d'une puissance nominale de 120 V. Elle est munie d'une fiche avec broche de mise à la terre semblable à celle illustrée à la figure 3. Vérifiez que la prise à laquelle la machine doit être raccordée présente une configuration correspondant à la fiche. N'utilisez pas d'adaptateur.

⚠ AVERTISSEMENT: Pour éviter tout risque de choc électrique, protégez la machine de la pluie. Entreposez-la dans un local sec.

⚠ AVERTISSEMENT: Pour éviter tout risque d'électrocution, connectez la machine sur un réseau à trois conducteurs, relié à la terre et muni d'un différentiel. En cas de doute, adressez-vous à un électricien agréé.

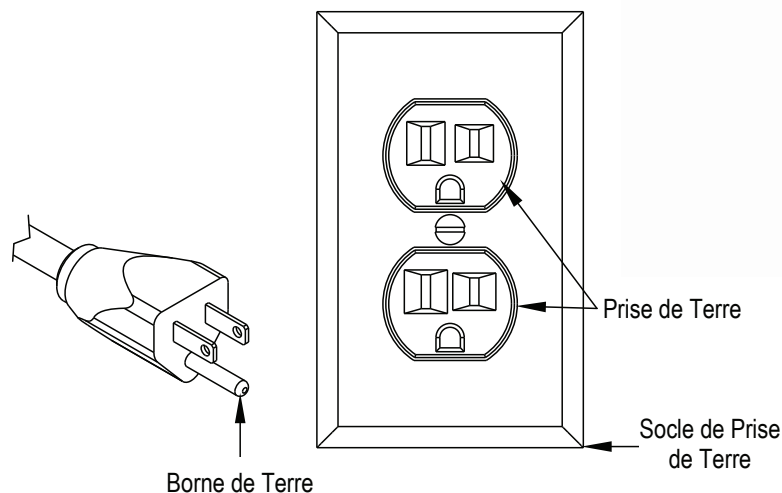
⚠ AVERTISSEMENT: Ne jamais casser, enlever ou couper la broche de mise à la terre. Si la prise ne correspond pas à la fiche, faire appel à un électricien agréé.

⚠ AVERTISSEMENT: Si le câble d'alimentation est usé, endommagé ou entaillé, faites-le remplacer immédiatement par un technicien agréé.

ALLONGES

N'utiliser qu'une allonge à trois conducteurs, dont un de mise à la terre, munie d'une fiche à trois broches et d'un connecteur à trois orifices. La machine est équipée d'un câble d'alimentation de 14 AWG (American Wire Gauge) de section.

⚠ ! AVERTISSEMENT ! Utilisez un câble de rallonge d'une section de 12 AWG. N'utilisez pas de rallonge d'une longueur supérieure à 50 pieds. Ne raccordez jamais deux rallonges.

FIGURE 3

MISE EN SERVICE DE LA MACHINE**FONCTIONNEMENT (Figure 4)**

- 1 Désenroulez le câble d'alimentation (5) et branchez-le à une prise correctement mise à la terre.
- 2 Tirez sur le levier de dégagement de la poignée (4). Appuyez sur la poignée de l'opérateur (6) vers le bas jusqu'à vos bras soient presque droits. Appuyez sur le levier de dégagement de la poignée (4) pour le bloquer fermement en place.
- 3 Tirez sur la poignée de l'opérateur (6) jusqu'à ce que la brosse (ou le patin) soit à plat sur le sol.

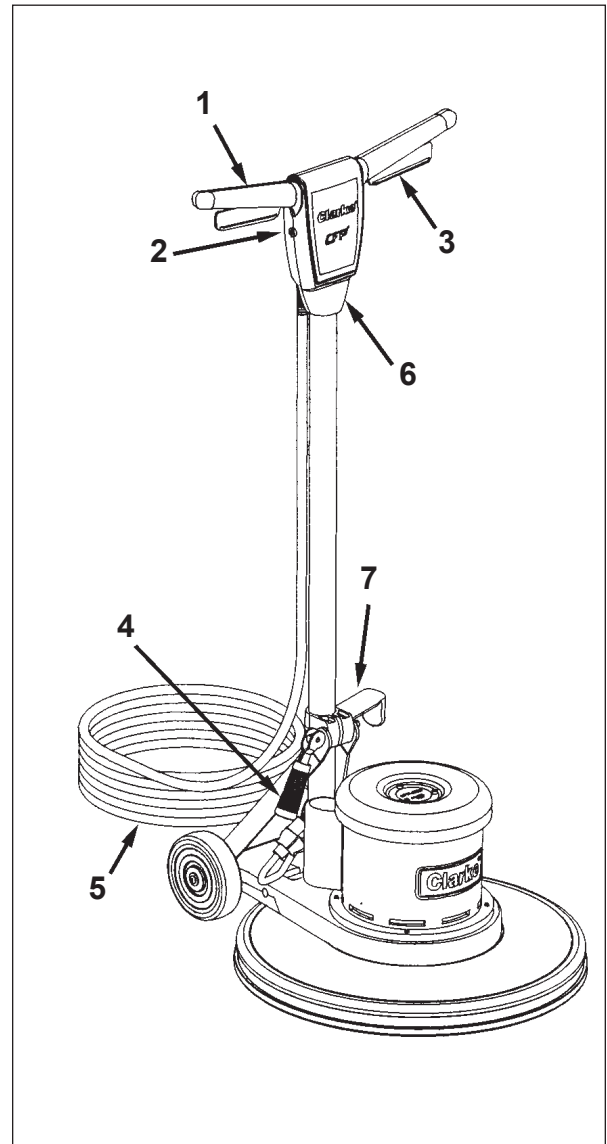
⚠ AVERTISSEMENT! Soyez prêt à contrôler la machine dès que le moteur démarre. Un léger mouvement de la poignée vers le haut ou vers le bas déplacera la machine latéralement. Soulevez la poignée pour aller vers la droite. Abaissez la poignée pour aller vers la gauche.

⚠ ATTENTION! Déplacez immédiatement la machine d'avant en arrière. Gardez la machine en mouvement pendant que le moteur est en fonctionnement afin d'éviter que le sol ou la moquette ne soient endommagés.

- 4 Tenez fermement une des prises de la poignée de l'opérateur (1), poussez le bouton de verrouillage de sécurité (2) puis appuyez sur les leviers d'interrupteur (3) pour faire démarrer le moteur.
N.B.: Lorsque les leviers d'interrupteur (3) sont relâchés, la machine s'éteint immédiatement.
- N. B. : Lorsque vous effectuez un nettoyage/poilssage simultanés contrôlez le patin toutes les 15 minutes pour éviter l'accumulation de poussière et de cire. Si le patin est sale, tournez-le pour exposer le côté propre ou installez un nouveau patin.

APRÈS UTILISATION (Figure 4)

- 1 Placez le poignée de l'opérateur (6) en position verticale et débranchez le câble d'alimentation (5). Enroulez le câble d'alimentation (5) autour des prises de la poignée de l'opérateur (1) et de la pince pour câble (7).
- 2 Retirez de la machine le support du patin ou de la brosse. Nettoyez le patin ou la brosse et mettez-le à sécher. Attendez que les patins de nettoyage soient complètement secs avant de les réutiliser. Stockez les supports des brosses et patins à l'écart de la machine. Ne conservez jamais la machine avec le support de brosse ou de patin sur la machine.
- 3 Essuyez l'ensemble de la machine avec un chiffon humide propre. Nettoyez le dessous du boîtier de la brosse après toute utilisation humide.
- 4 Inspectez la totalité de la machine ainsi que tous les accessoires pour contrôler qu'ils ne sont pas endommagés. Effectuez toute réparation ou entretien requis avant de ranger la machine.
- 5 Conservez la machine dans un lieu propre et sec, avec la poignée de l'opérateur (6) verrouillée en position verticale.

**Figure 4**

DIAGNOSTIC**TRACES SUR LE SOL APRÈS RÉCURAGE**

- Le sol n'est pas propre.
- Solution incorrecte.
- Le zone n'a pas été correctement balayée - débris sur le patin ou la brosse.
- Patin ou brosse incorrect pour la tâche.
- Déplacement trop rapide de la machine.

TRACES SUR LE SOL APRÈS NETTOYAGE A SEC

- Déplacement trop rapide de la machine.
- Finition du sol trop souple.
- La zone n'a pas été correctement balayée-débris sur le patin ou la brosse.
- Patin ou brosse incorrect pour la tâche.

CERCLES SUR LE SOL

- La machine est restée immobile pendant que la brosse ou le patin était en fonctionnement.

FINITION DU SOL ENLEVÉE

- Patin incorrect... trop agressif.
- Solution trop décapante.

LA MACHINE OSCILLE AU COURS DE L'OPÉRATION

- Patin défectueux... un côté est plus dense que l'autre.
- La machine est restée appuyée sur la brosse ou patin pendant trop longtemps, causant aux poils de la brosse ou au patin de prendre une forme incorrecte.
- Le patin n'est pas placé correctement sur les poils du support du patin.
- Bloc faussé sur le support de la brosse ou patin - le remplacer.

LA MACHINE NE FONCTIONNE PAS

- Contrôlez que la prise est connectée correctement - sur la machine et la prise murale.
- Contrôlez le coupe-circuit du bâtiment.
- Contactez le service de réparation.

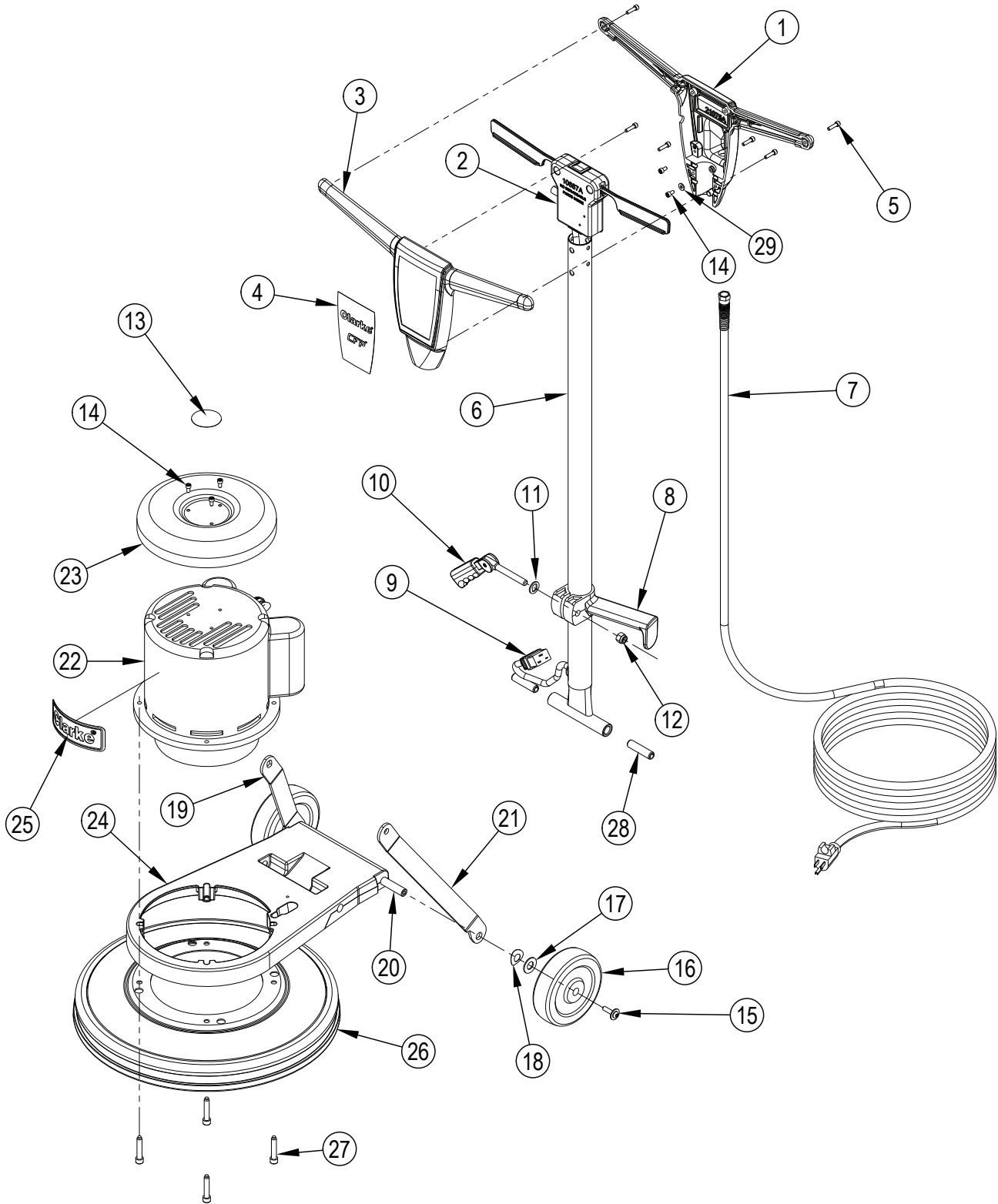
LE TÉMOIN LUMINEUX DU MOTEUR 2000DS S'ALLUME

- Cessez d'utiliser la machine dans les 6 heures.
- Contactez le service de réparation.
- Remplacez les balais en carbone du moteur.

Clarke[®]
CFP Series
120V & 230V
Section II
Parts Manual

(70880A)

ASSEMBLY



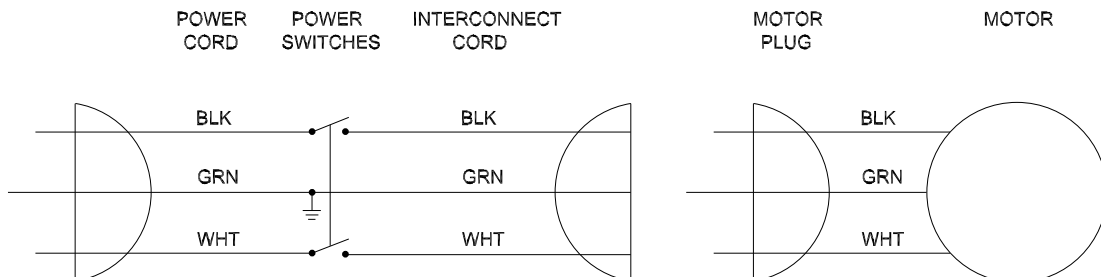
ASSEMBLY

Item	Ref. No.	Qty	Description	Item	Ref. No.	Qty	Description
1	21075A	1	Handle, Back	15	80292A	2	Screw, 1/4-20 x 1
2	10687A	1	Module, Interlock	16	56201018	2	Wheel
3	21074A	1	Handle, Front	17	980648	2	Washer, 17/32 x 1 1/16 Plain
4	71020A	1	Label, Handle	18	80295A	2	Washer, Bowed
5	80284A	6	Screw, 10-32 x 3/4	19	61741A	1	Link Arm-Right
6	61373A	1	Tube, Handle	20	61725A	1	Axle
7	40788A	1	Cord, 14/3 x 50'	21	61740A	1	Link Arm-Left
[]	46750A	1	Strain Relief	22#	40761A	1	Motor 1HP (130, 170, 200) (120V/60Hz)
[]	47711A	2	Terminal FIFQD	#	40762A	1	Motor .75KW 230/50 (170, 200) (230V/50Hz)
8	50781A	1	Clamp, Handle	#	40763A	1	Motor 1.5HP (1700, 2000) (120V/60Hz)
9	40789A	1	Cord, Interconnect	#	40764A	1	Motor 1.5HP TS (1700DS, 2000DS) (120V/60Hz)
10	56109699	1	Cam Assy W/Grip NOTE 1	#	40765A	1	Motor 1.1KW 230/50 (1700, 2000) (230V/50Hz)
[]	441301	1	Bolt, Cam Lock	23	61716A	1	Drip Cover (CFP-130, 170, 200, 1700, 2000)
[]	46140A	1	Cam, Locking		61717A	1	Drip Cover (CFP-1700DS, 2000DS)
[]	53662A	1	Pin, Coiled	24	21088A	1	Mainframe
11	980349	1	Washer, Wear	25	73323A	1	Label, Motor Clarke
12	920342	1	Nut, 3/8-16 ESNA	26	11364A	1	Hsg Brush Asm 13 (CFP-130)
13	71168A	1	Label (CFP-130 120/60)		11006A	1	Hsg Brush Asm 17 (CFP-170, 1700, 1700DS)
	71021A	1	Label (CFP-170 120/60)		11007A	1	Hsg Brush Asm 20 (CFP-200, 2000)
	71022A	1	Label (CFP-170 230/50)	27	80294A	4	Screw, 5/16 - 18
	71023A	1	Label (CFP-1700 120/60)	28	53833A	2	Pin, Split 1/2
	71024A	1	Label (CFP-1700 230/50)	29	80291A	1	Washer, Flat #10
	71427A	1	Label (CFP-1700DS 120/60)	[]	56380639	1	Decal-Prop 65
	71025A	1	Label (CFP-200 120/60)	[]	30758A	1	Pad Driver* (CFP-130)
	71026A	1	Label (CFP-200 230/50)	[]#	56505910	1	Pad Holder-17 NP92 Clutch (CFP-170, 1700, 1700DS)
	71027A	1	Label (CFP-2000 120/60)	[]#	56505920	1	Pad Holder-20 NP92 Clutch (CFP-200, 2000, 2000DS)
	71429A	1	Label (CFP-2000 230/50)				
	71028A	1	Label (CFP-2000DS 120/60)				
14	80290A	5	Screw, 10-32 x 3/8				

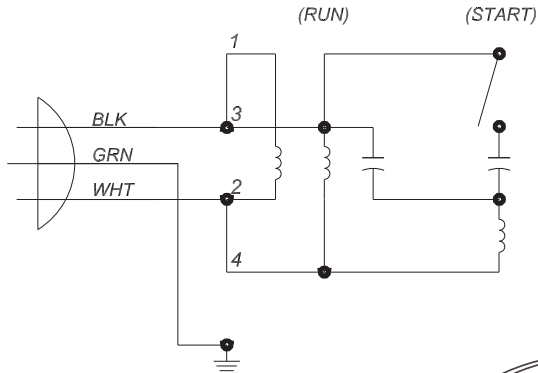
[] = Not Shown
 # = Revised or new since last update

NOTE 1: The old handle assy consisting of the following parts (56057675, 441301) is no longer available. If you need to replace any of these components please order 56109699.

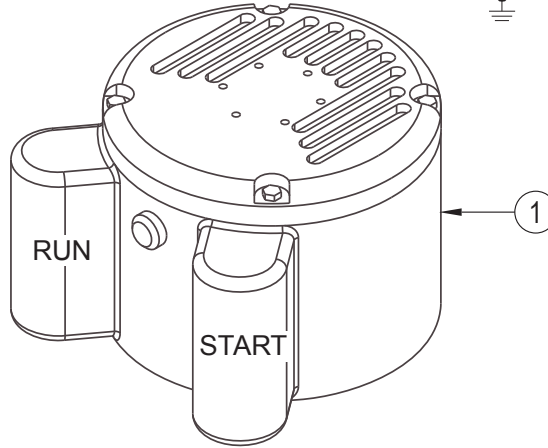
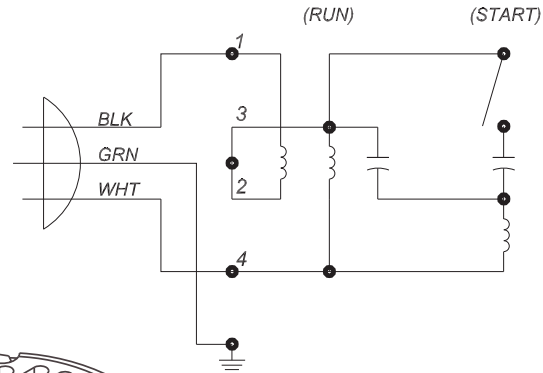
MACHINE SCHEMATIC



ELECTRICAL SCHEMATIC
(120V)



ELECTRICAL SCHEMATIC
(230V)



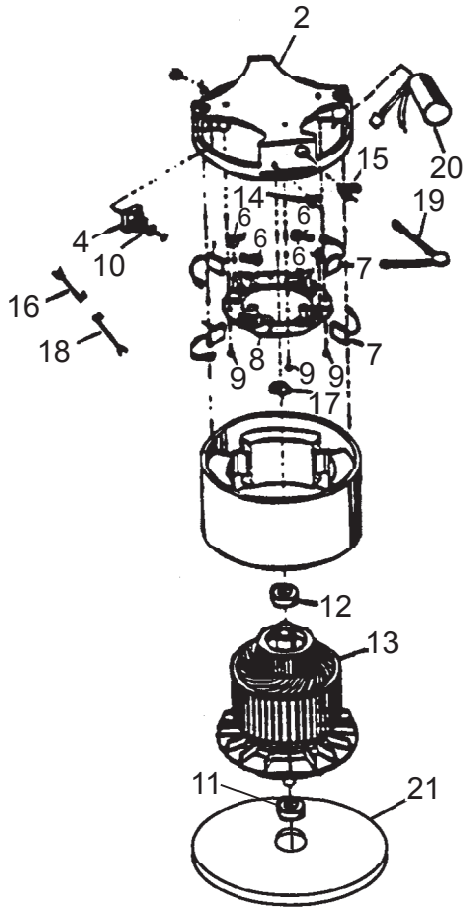
Motor Assembly and Schematics [CFP-130,170, 1700, 200, 2000]

Item	Ref. No.	Qty	Description	Item	Ref. No.	Qty	Description
1#	40761A	1	Motor 1HP (130, 170, 200) (120V/60Hz)	1#	40763A	1	Motor 1.5HP (1700, 2000) (120V/60Hz)
*#	40694A	1	Start Capacitor	*#	40694A	1	Start Capacitor
*#	40695A	1	Run Capacitor	*#	53191A	1	Run Capacitor
*#	53190A	1	Start Switch	*#	53190A	1	Start Switch
*#	40693A	1	Rotor 1HP 60HZ	*#	53193A	1	Rotor Motor 1.5HP C2K
*#	40697A	2	Covercapacitorblack	*#	53189A	1	Statormotor 1.5HP 120/240
*#	40698A	1	End Shield Aluminum	*#	53360A	2	Covercapacitor C2K
*#	40699A	1	Coverwire Connection	*#	40698A	1	End Shield Aluminum
*#	53195A	1	Centrifugal 4-Pole 60HZ	*#	40699A	1	Coverwire Connection
*#	70787A	1	Label Connection Diagram	*#	53195A	1	Centrifugal 4-Pole 60HZ
*#	80274A	4	Boltthrough	*#	70787A	1	Label Connection Diagram
*#	85303A	11	Screw 8-32 X 3/8 PN ST PH	*#	85303A	11	Screw 8-32 X 3/8 PN ST PH
*#	902550	1	Bearing Ball-6203	*#	902550	1	Bearing Ball-6203
*#	80141A	6	Screw 10-32 X 1 Machine	*#	80141A	6	Screw 10-32 X 1 Machine
*#	911177	2	Wire Nut 73B-Orange	*#	911177	2	Wire Nut 73B-Orange
*#	41053A	1	Cord 12 IEC 60320 C20 Plug	*#	41053A	1	Cord 12 IEC 60320 C20 Plug
*#	747553	1	Strain ReliefSR7W2 CM20	*#	747553	1	Strain ReliefSR7W2 CM20
*#	53645A	1	Gearbox 1HP	*#	53646A	1	Gearbox 1.5HP
1#	40762A	1	Motor .75KW 230/50 (170, 200) (230V/50Hz)	1#	40765A	1	Motor 1.1KW 230/50 (1700, 2000) (230V/50Hz)
*#	40694A	1	Start Capacitor	*#	40694A	1	Start Capacitor
*#	53190A	1	Start Switch	*#	53190A	1	Start Switch
*#	40697A	2	Covercapacitorblack	*#	53360A	2	Covercapacitor C2K
*#	40698A	1	End Shield Aluminum	*#	40698A	1	End Shield Aluminum
*#	40699A	1	Coverwire Connection	*#	40699A	1	Coverwire Connection
*#	70787A	1	Label Connection Diagram	*#	70787A	1	Label Connection Diagram
*#	80274A	4	Boltthrough	*#	85303A	11	Screw 8-32 X 3/8 PN ST PH
*#	85303A	11	Screw 8-32 X 3/8 PN ST PH	*#	902550	1	Bearing Ball-6203
*#	902550	1	Bearing Ball-6203	*#	80141A	6	Screw 10-32 X 1 Machine
*#	80141A	6	Screw 10-32 X 1 Machine	*#	911177	3	Wire Nut 73B-Orange
*#	911177	3	Wire Nut 73B-Orange	*#	41053A	1	Cord 12 IEC 60320 C20 Plug
*#	41053A	1	Cord 12 IEC 60320 C20 Plug	*#	747553	1	Strain ReliefSR7W2 CM20
*#	747553	1	Strain ReliefSR7W2 CM20	*#	53646A	1	Gearbox 1.5HP
*#	53645A	1	Gearbox 1HP				

= Revised or new since last update

Motor Assembly [CFP-1700DS, 2000DS]

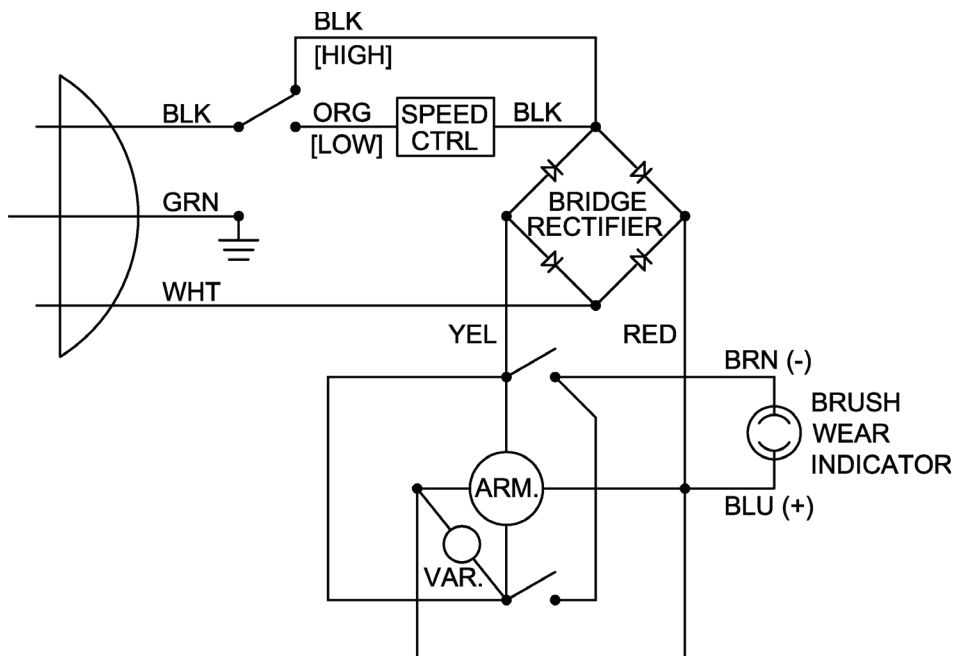
MOTOR 40764A



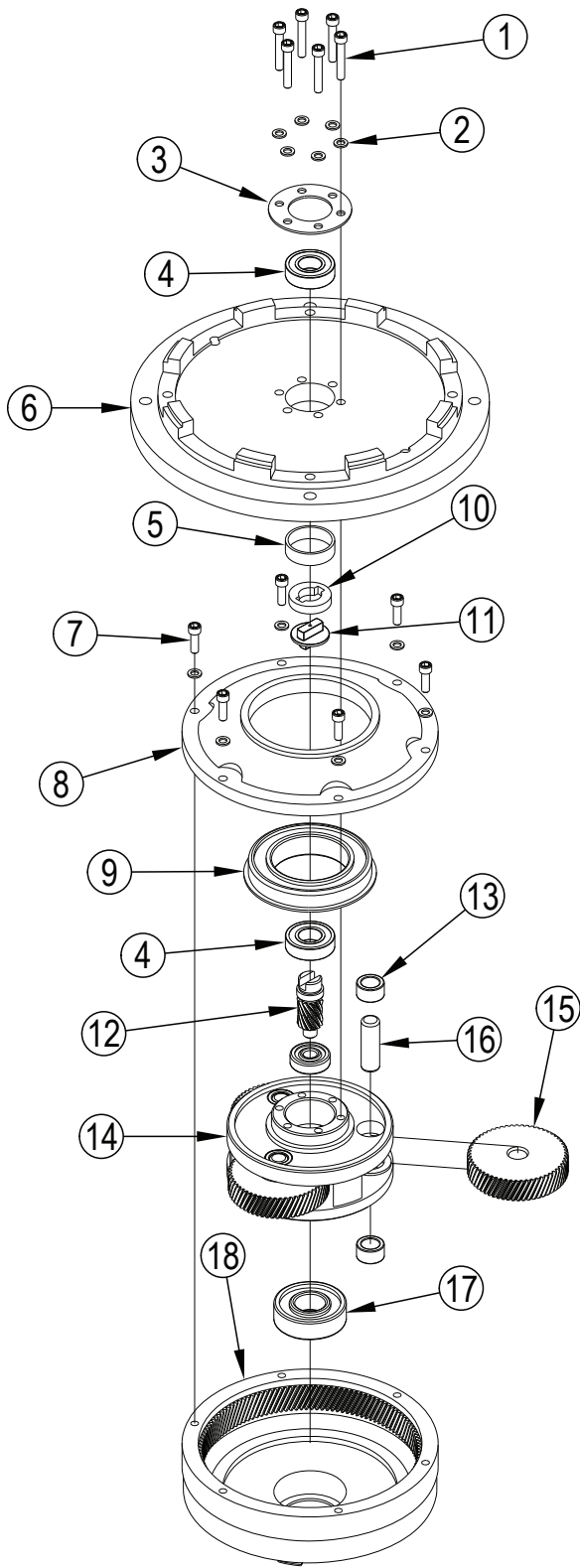
Item #	Ref. No.	Qty	Description
	40764A	1	Motor 1.5HP TS (1700DS, 2000DS) (120V/60Hz)
2	N/A	1	Commutator Bracket
4	912287	1	Rectifier, Bridge
6	448396	4	Spring (Included with 8)
7	51405A	4	Brush Asm., (Included with 8)
8	51435A	1	Brush Board Asm. (includes 6,7,16, 18,19)
9	962546	8	Screw, 10-24 x 1/2 Type 23
10	980608	1	8 Flat Washer
11	902606	1	Bearing, Ball - 6002
12	902550	-1	Bearing-Ball- 6203 (Included with 13)
13	40322A	1	Armature Asm. (Includes 12)
14	N/A	1	Strain Relief
15	N/A	1	Bushing
16	55648A	1	Red Lead (Included with 8)
17	980076	1	Wave Washer
18	55647A	1	Yellow Lead (Included with 8)
19	59606A	1	Varistor (Included with 8)
20	56039285	1	Speed Control
21	53849A	1	Plate, Mounting
NI	80141A	6	Screw, 10-32 x 1
NI	40851A	1	Toggle Switch

= Revised or new since last update

120V Motor Schematic



GEARBOX ASSEMBLY



Ref	Ref. No.	Qty	Description
#	53645A	1	Gearbox 1HP (CFP-130, CFP-170, CFP-200)
#	53646A	1	Gearbox 1.5HP (CFP-1700, CFP-2000)
#	53647A	1	Gearbox 1.5HP TS (CFP-1700DS, CFP-2000DS)
1#	80141A	6	Screw 10-32 X 1 Machine
2#	980650	6	Wash .19 x .34 x .04 Lock
3#	56922A	1	Plateretainergearbox For 45
4#	902606	3	Bearing Ball 6002
5#	58520A	1	Spacersleevegearbox For 450
6#	53849A	1	Plate Mounting Dual Speed (53647A)
#	53848A	1	Plate Mounting Single Speed (53645A, 53646A)
7#	84808A	6	Screw 10-24 X 3/4 RD SZ PH
8#	54858A	1	Housing Covergearbox For 450
9#	902736	1	Bearingball-6010W/Snap Ring
10#	58314A	1	Shaft Retainergearbox For 450
11#	69195A	1	Coupling
12#	58313A	1	Gearpiniongearbox For 45023
13#	902737	6	Bearing Needle 1/2X11/16X3/8 (53646A, 53647A)
#	902737	4	Bearing Needle 1/2X11/16X3/8 (53645A)
14#	N/A	1	Cage
15#	54408A	3	Gearplanetgearbox For 45023 (53646A, 53647A)
#	54408A	2	Gearplanetgearbox For 45023 (53645A)
16#	58312A	3	Shaftplanetgearbox For 4502 (53646A, 53647A)
#	58312A	2	Shaftplanetgearbox For 4502 (53645A)
17#	902654	1	Bearing Ball-6204
18#	54856A	1	Drive HSGF/44635A G/RVP/C LI
*#	503802	1	Grease - 14 Ounce Tube NOTE 1

* = Optional, Not Included

= Revised or new since last update

NOTE 1: Gearboxes 53646A & 53647A use 8 ounces of grease. Gearbox 53645A uses 9 ounces of grease.

ACCESSORIES

Item	Ref. No.	Qty	Description
			COMMON ACCESSORIES
*#	53853A	1	Tank Asm Polishers
*#	50527A	1	Base Pad Retainer Left Hand (used with 56927A)
*#	56927A	1	Retainer Pad Left Hand (used with 50527A)
*#	80242A	3	Screw 8-18 X 5/8 HI-LO (used with 50527A)
			CFP-130 UNIQUE ACCESSORIES
*#	30768A	1	Brush Poly Scrub C2K-130
*#	30770A	1	Pad Driver 13 Supergrip
*#	30769A	1	Brush 13 Nylon Grit Med Scrub
*#	30767A	1	Brush 13 Steel Wire
*#	30766A	1	Brush 13 Union Mix
*#	976142	1	Pads CS 13 Black Thin CS=5EA
*#	976035	1	Pads CS 13 Brown 51 CS=5EA
*#	976034	1	Pads CS 13 Blue 51 CS=5EA
*#	976032	1	Pads CS 13 Red 51 CS=5EA
*#	976031	1	Pads CS 13 White 51 CS=5EA
*#	30758A	1	Pad Driver 13
			CFP-170, CFP-1700, CFP-1700DS COMMON ACCESSORIES
*#	51705A	1	Brush Polypro Scrub 17
*#	56505910	1	Pad Holder-17 NP92 Clutch
*#	460908	1	Brush Asm Polish FM17-1700
*#	975302	1	Pad Hiprod Strip CS 17 CS=5EA
*#	976158	1	Pads CS 17 Black Thick CS=5EA
*#	56161750	1	Brown Pad 17 CS OF 5
*#	976054	1	Pads CS 17 Blue 51 CS=5EA
*#	976053	1	Pads CS 17 Red 51 CS=5EA
*#	976052	1	Pads CS 17 White 51 CS=5EA
*#	30712A	1	Ring Splash 17 CFP Polisher
			CFP-170, CFP-1700 UNIQUE ACCESSORIES
*#	51444A	1	Brush Asm Scrub 17 Silicon/
*#	460918	1	Brush Asm STL Wire FM17-1700
			CFP-1700 UNIQUE ACCESSORIES
*#	51499A	1	Brush Nylon Carpet 17
*#	460215	1	Adapter Asm Sanding 15 3/4
*#	67307A	1	Skirt 17/18
*#	500212	1	Adapter Asm Grinding For 17
*#	451212	1	Brick Grinding Medium Grit
*#	451305	1	Brick Grinding Coarse Grit
			CFP-1700, CFP-2000 UNIQUE ACCESSORIES
*#	11022A	1	Kit Weight
*#	52473A	1	Capture Pwd 4-8 LBS Pails
			CFP-200, CFP-2000, CFP-2000DS COMMON ACCESSORIES
*#	51707A	1	Brush Polypro Scrub 20
*#	56505920	1	Pad Holder-20 NP92 Clutch
*#	480916	1	Brush Asm Polish FM/C/VP/DS-
*#	975305	1	Pad Hi Prod Strip CS 20 CS=5EA
*#	976170	1	Pads CS 20 Black Thin CS=5EA
*#	976070	1	Pads CS 20 Brown 51 CS=5EA
*#	976069	1	Pads CS 20 Blue 51 CS=5EA
*#	976068	1	Pad 20-In Red 5100 CS=5EA
*#	976067	1	Pads CS 20 White 51 CS=5EA
*#	30713A	1	Ring Splash 20 CFP Polisher
			CFP-200, CFP-2000 UNIQUE ACCESSORIES
*#	51446A	1	Brush Asm Scrub 20 Silicon/
*#	480924	1	Brush Asm STL Wire FM/C/VP20
			CFP-2000 UNIQUE ACCESSORIES
*#	67308A	1	Skirt 20capture
			CFP-2000DS UNIQUE ACCESSORIES
*#	17518A	1	Pad Driver Asm DS-20

* = Optional, Not Included

= Revised or new since last update

Clarke[®]

14600 21st Avenue North
Plymouth, MN 55447-3408

www.clarkeus.com

Phone: 800-253-0367

Fax: 800-825-2753

©2013 Nilfisk-Advance, Inc.

A Nilfisk-Advance Brand