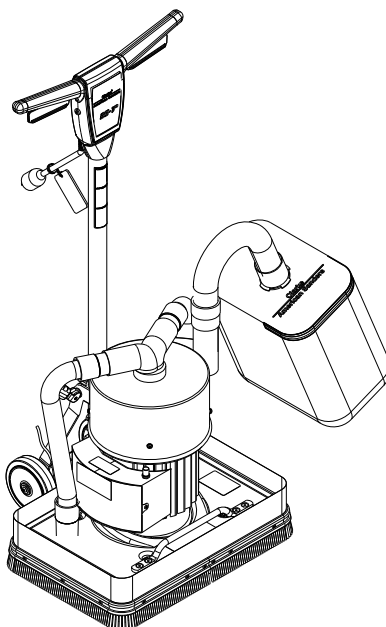

Clarke[®]

American Sanders[®]

OBS-18DC
HDTR



Operator's Manual / Manual del operador / Manuel de l'utilisateur
Model: 07014A



READ THIS BOOK

LEA ESTE MANUAL



LISEZ CE MANUEL

EN English (2 - 9)

ES Español (10 - 17)

FR Français (18 - 25)

This book has important information for the use and safe operation of this machine. Failure to read this book prior to operating or attempting any service or maintenance procedure to your Clarke American Sanders machine could result in injury to you or to other personnel; damage to the machine or to other property could occur as well. You must have training in the operation of this machine before using it. If your operator(s) cannot read this manual, have it explained fully before attempting to operate this machine.

All directions given in this book are as seen from the operator's position at the rear of the machine.

Contents of this Book

Operator Safety Instructions..... 3
 Introduction and Machine Specifications..... 4
 Machine Transportation..... 4
 Machine Set-Up..... 5
 Operating Instructions..... 7
 Troubleshooting..... 8
 Sanding Cuts and Sandpaper..... 9

SECTION II Parts and Service Manual

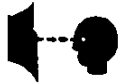
Base Assembly..... 28-29
 Motor Assembly..... 30-31
 Handle Assembly..... 32-33
 Electrical Schematics..... 34

 WARNING!

The Products sold with this Manual contain or may contain chemicals that are known to certain governments (such as the State of California, as identified in its Proposition 65 Regulatory Warning Law) to cause cancer, birth defects or other reproductive harm. In certain locations (including the State of California) purchasers of these Products that place them in service at an employment job site or a publicly accessible space are required by regulation to make certain notices, warnings or disclosures regarding the chemicals that are or may be contained in the Products at or about such work sites. It is the purchaser's responsibility to know the content of, and to comply with, any laws and regulations relating to the use of these Products in such environments. The Manufacturer disclaims any responsibility to advise purchasers of any specific requirements that may be applicable to the use of the Products in such environments.

OPERATOR SAFETY INSTRUCTIONS

DANGER means:	Severe bodily injury or death can occur to you or other personnel if the DANGER statements found on this machine or in this Owner's Manual are ignored or are not adhered to. Read and observe all DANGER statements found in this Owner's Manual and on your machine.
WARNING means:	Injury can occur to you or to other personnel if the WARNING statements found on your machine or in this Owner's Manual are ignored or are not adhered to. Read and observe all WARNING statements found in this Owner's Manual and on your machine.
CAUTION means:	Damage can occur to the machine or to other property if the CAUTION statements found on your machine or in this Owner's Manual are ignored or are not adhered to. Read and observe all CAUTION statements found in this Owner's Manual and on your machine.

**DANGER:**

Failure to read the Owner's Manual prior to operating or servicing your Clarke American Sanders machine could result in injury to you or to other personnel; damage to the machine or to other property could occur as well. You must have training in the operation of this machine before using it. **If you or your operator(s) cannot read English, have this manual explained fully before attempting to operate this machine.**

**DANGER:**

- Sanding/finishing wood floors can create an explosive or combustible environment. Do not operate this machine around solvents, thinners, alcohol, fuels, floor finishes, wood dust or any other flammable materials. Cigarette lighters, pilot lights, electrical sparks and all other sources of ignition should be extinguished or avoided. Keep work area well ventilated.
- Dust generated from sanding wood floors can spontaneously ignite or explode. Promptly dispose of any sanding dust in a metal container clear of any combustibles. Do not dispose in a fire.

**DANGER:**

- Electrocution could occur if the machine is being serviced while the machine is connected to a power source. Disconnect the power supply before servicing.
- Electrocution or fire could occur if the machine is being operated with a damaged power cord. Keep the power cord clear of the pad. Always lift the cord over the machine. Do not move the machine by the power cord.
- Shock hazard. Do not use the machine if it has been rained on or sprayed with water.

**DANGER:**

To avoid injury keep hands, feet, and loose clothing away from all moving parts on the machine. Disconnect the power cord before replacing the pad, changing the abrasive, or when servicing. Do not operate the machine unless all guards are in place. Never leave the machine unattended while connected to a power source.

**WARNING:**

Injury can occur if protective clothing or equipment is not used while sanding. Always wear safety goggles, protective clothing, and dust mask while sanding.

**WARNING:**

This sander is not to be used on pressure treated wood. Some pressure treated woods contain arsenic and sanding pressure treated wood produces hazardous dust. Inhaling hazardous dust from pressure treated wood can cause serious injury or death. Sanding pressure treated wood decks or uneven surfaces can damage the sander which is not covered under warranty or damage waiver.

**WARNING:**

Any alterations or modifications of this machine could result in damage to the machine or injury to the operator or other bystanders. Alterations or modifications not authorized by the manufacturer voids any and all warranties and liabilities.

Introduction & Machine Specifications

The OBS-18 or OBS-18DC can be used on a variety of surfaces. It is an ideal tool for wood flooring maintenance and restoration work. It is also suitable for cleaning hard surfaces such as tile or Terrazzo.

Model	OBS-18DC
Code Number	07014A
Voltage/Frequency	115V/60Hz
Amperage (A)	10
Motor	1 hp
Pad Size	12" x 18"
Power Cable	40' 12-3 GA Gray Rubber Jacketed
Orbits Per Minute	3600
Orbit Dia.	1/4 inch
Shipping Weight	125 lbs.
Noise (dBA)	74
Vibration (m/s/s)	11.2

Machine Transportation

To transport the machine, follow this procedure:

1. Unplug machine from wall outlet and wrap cord.
2. Raise and lock the handle to the upright position. To lock the handle, pull up on the Handle Release Compression Lever. See figure 1.
3. Grasp the machine at the lifting sites and place in cargo area. See figure 2.

WARNING: The machine is heavy (125 lbs./57kg). to avoid injury or damage to the machine use a firm grip and proper lifting technique. Get assistance if necessary.

4. Secure machine to prevent movement in cargo area.

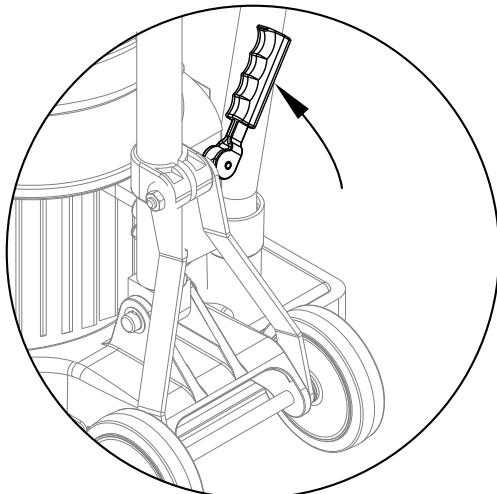


Figure 1

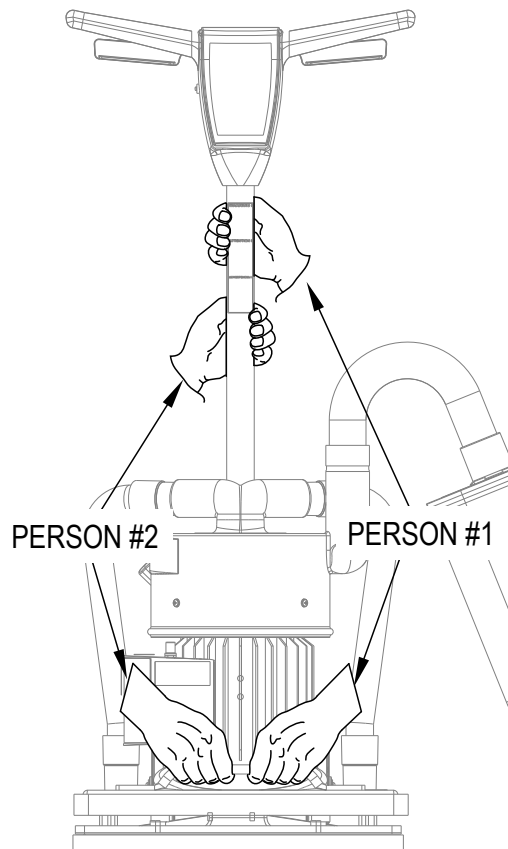


Figure 2


Machine Setup


To prepare the machine for use follow this procedure:

1. Familiarize yourself with the machine. Read all danger, warning, and caution statements and the Operation and Parts Manual before operating the machine. If you or the operator are unable to read English, have this manual fully explained before attempting to operate this machine.
2. Install or replace pad. The pad should be replaced if it has become matted down to a thickness of $3/8$ " or less. To install or replace the pad, follow these instructions:
 - a.) Lock handle in the upright position.
 - b.) Tilt the machine back until it fully rests on the handle.
 - c.) Standing over the machine, remove existing pad then center new pad over grip face.
 - d.) Press pad against grip face until the hooks in the driver have set in the pad. See figure 3.
 - e.) Return machine to the upright position.



Figure 3

 **CAUTION:** Damage to the grip face will occur if the machine is operated without a pad or with a pad that is $3/8$ " or thinner.

 **WARNING:** Never put yourself or let others be in a position to get injured if the machine should tip or fall, while replacing the pad or changing abrasive.

Machine Setup

This sanding machine is designed to be operated with a remote vacuum dust collection system or with the included dust bag.

Preparing Remote Vacuum Dust Collection Systems

To prepare the machine for remote vacuum dust collection systems that have a 2" hose end, follow this procedure:

1. Install 2" hose end (figure 4, A) directly into the exhaust tube (figure 4, B).
2. The exhaust tube can be rotated for optimum convenience.

To prepare the machine for remote vacuum dust collection systems that have a 1 1/2" hose end, follow this procedure:

1. Install the 2" x 1 1/2" hose end adaptor (Part No. 30563A) (figure 4, C) over the exhaust tube (figure 4, B).
2. Insert 1 1/2" hose end (figure 4, D) into the adaptor (figure 4, C).

NOTE: Start the remote vacuum collection system before operation.

Preparing to use the included dust bag

To prepare the machine for use with the included dust bag (Part No. 53741A), follow this procedure:

1. Install the dust bag by pressing the end onto the exhaust tube until the ring locks into the groove (figure 5). This is best done by pressing on the back of the bag opening with the palm of your hand.
2. The exhaust tube can be rotated for optimum convenience.
3. To remove the dust bag from the exhaust tube, pry up the end of the bag opening to partially release the internal rib from the groove, then pull.
4. To empty the dust bag, unzip the disposal flap and force contents out by inverting the bag.

NOTE: For best results, empty frequently. Follow all warnings posted in this manual and on the dust bag.

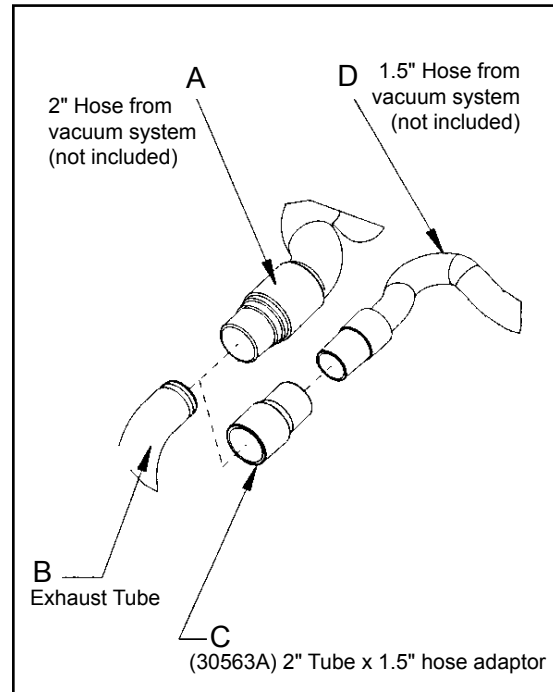


Figure 4

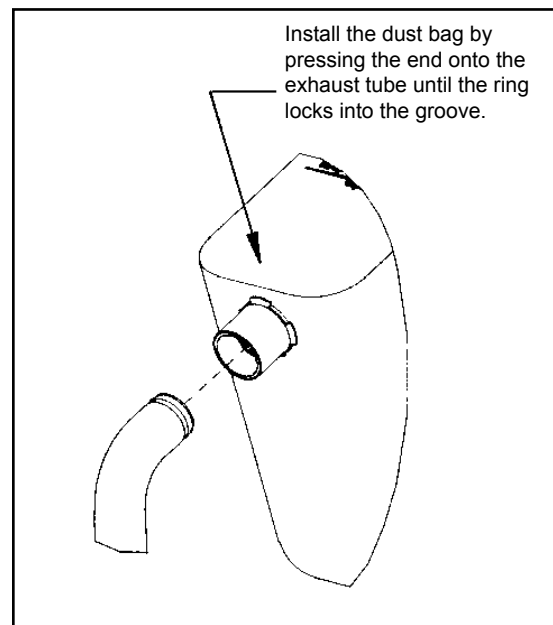


Figure 5

Operating Instructions – Sanding

To operate the machine as a sander follow this procedure:

1. Move machine to work location. Decide the best approach to sanding the desired area. When sanding the area, work so that you are moving away from the power supply. This will help to avoid entanglement with the power cord and reduce the need to move the power cord as frequently.
2. Install the abrasive. Use the same procedure outlined in MACHINE SETUP for installing the pad, to install the abrasive. Peel the film off the back of the abrasive; center the abrasive over the pad and press it against the pad. The adhesive on the abrasive will hold it to the pad.

NOTE: When using screen abrasive, set the screen on the floor then move the machine over the screen. Lower the machine until the pad comes to rest on the screen. Make sure the screen is centered on the pad.

WARNING: Injury can occur if the machine is connected to a power source while installing the pad or abrasive. Disconnect the machine before installing the pad/abrasive.

3. Connect the machine to an appropriately fused and grounded circuit.
4. Release the handle by pressing up on the locking lever. Bring the handle to a comfortable position.

CAUTION: Do not lock the handle. Locking the handle will prevent the machine from resting evenly on the pad and diminish the machine performance and reliability.

5. Push the interlock button (1), and apply pressure to the levers (2). To stop the machine, release the levers (2). See figure 6.

CAUTION: To prevent damage to the flooring and to reduce swirling, keep the machine in motion while the motor is running.

NOTE: For sanding cuts and sandpaper, see page 9.

Operating Instructions - Polishing

To operate the machine as a polisher follow this procedure:

WARNING: Injury can occur if the machine is connected to a power source while installing the pad or abrasive. Disconnect the machine before installing the pad/abrasive.

1. Connect the machine to an appropriately fused and grounded circuit.
2. Release the handle by pressing up on the locking lever. Bring the handle to a comfortable position.

CAUTION: Do not lock the handle. Locking the handle will prevent the machine from resting evenly on the pad and diminish the machine performance and reliability.

3. Push the interlock button (1), and apply pressure to the levers (2). To stop the machine, release the levers (2). See figure 6.

CAUTION: To prevent damage to the flooring and to reduce swirling, keep the machine in motion while the motor is running.

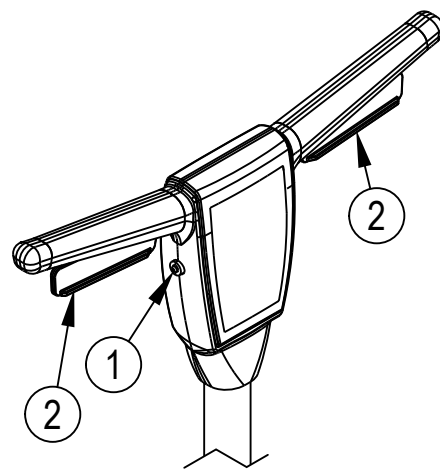


Figure 6

Troubleshooting

Problem	Cause	Action
Motor will not start.	No power. Interlock not depressed. Defective switch/ Bad connection	Check power supply and connection Depress Interlock before activating control lever. Contact an authorized Clarke American Sanders Dealer.
Motor fails to start / runs sluggish.	Low voltage from excessive length or undersized extension cord. Defective start capacitor. Defective start switch. Defective start/run capacitor Defective motor low voltage	Use a 14 Ga extension cord, not to exceed 50' length. Contact an authorized Clarke American Sanders Dealer. Contact an authorized Clarke American Sanders Dealer. Contact an authorized Clarke American Sanders Dealer. Contact an authorized Clarke American Sanders Dealer.
Fuse / Circuit Breaker repeatedly trips.	Low voltage. Bad connection. Defective motor.	Eliminate extension cord. Locate power source closer to work site. Have voltage checked by a qualified electrician. Contact an authorized Clarke American Sanders Dealer. Contact an authorized Clarke American Sanders Dealer.

revised 6/12

Sanding Cuts and Sandpaper

Initial Cut

The purpose of the initial cut is to remove old finish and gross imperfections on the floor surface. Use a course (20-36 grit) grain abrasive.

Final Cuts

The purpose of a finishing cut is to remove the scratches produced during the initial cut. Use a fine (60-80 grit) grain abrasive.

If the surface remains rough after a finishing cut, it may be necessary to use an even finer grain of abrasive (80-100grit). Care should be taken in selecting the grit size of the abrasive. A very fine grain will close the pores on a wood floor making admission of a stain difficult.

If glazing or burning should occur the abrasive has dulled and must be replaced.

LEA ESTE MANUAL

Este manual contiene información importante acerca del uso y la seguridad de la máquina. Si no lee el manual antes de utilizar su máquina Clarke American Sanders o de intentar realizar los procedimientos de reparación o mantenimiento de la misma, usted o el resto del personal podrían sufrir lesiones; asimismo, podrían producirse daños a la máquina o a otras propiedades. Antes de utilizar la máquina, es necesario recibir la capacitación adecuada en la operación de la misma. Si el operador de la máquina no sabe leer en español, explíquelo el manual exhaustivamente antes de que intente utilizarla.

Todas las indicaciones incluidas en este manual se ofrecen desde la posición del operador en la parte posterior de la máquina.

Índice del manual

Instrucciones de seguridad para el operador 11
 Introducción y especificaciones de la máquina 12
 Transporte de la máquina..... 12
 Instalación de la máquina..... 13
 Instrucciones de funcionamiento 15
 Resolución de problemas 16
 Cortes de lija y papel de lija..... 17

Sección II Repuestos y manual de servicio 28-34

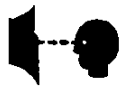
 ADVERTENCIA:

Los Productos a la venta en este Manual contienen, o pueden contener, productos químicos reconocidos por algunos gobiernos (como el Estado de California, según lo indica en su Proposición 65, Ley de Advertencia Regulatoria) como causantes de cáncer, defectos de nacimiento u otros daños reproductivos. En algunas jurisdicciones (incluido el Estado de California), los compradores de estos Productos que los coloquen en servicio en un emplazamiento laboral o en un espacio de acceso público tienen la obligación regulatoria de realizar determinados avisos, advertencias o divulgaciones respecto de los productos químicos contenidos o posiblemente contenidos en los Productos utilizados en tal lugar. Es la responsabilidad del comprador conocer y cumplir con todas las leyes y reglamentaciones relacionadas con el uso de estos Productos en tales entornos. El Fabricante niega toda responsabilidad de informar a los compradores sobre requisitos específicos que pueden regir el uso de los Productos en tales entornos.

INSTRUCCIONES DE SEGURIDAD PARA EL OPERADOR

PELIGRO significa:	Usted u otras personas pueden estar expuestos a sufrir lesiones personales, inclusive la muerte si las indicaciones de PELIGRO que se encuentran en esta máquina o en el manual de instrucciones se ignoran o no se tienen en cuenta. Lea y respete todas las indicaciones de PELIGRO que se encuentran en el manual de instrucciones y en la máquina.
ADVERTENCIA significa:	Usted u otras personas pueden estar expuestos a sufrir lesiones personales, si las indicaciones de ADVERTENCIA que se encuentran en esta máquina o en el manual de instrucciones se ignoran o no se tienen en cuenta. Lea y respete todas las indicaciones de ADVERTENCIA que se encuentran en el manual de instrucciones y en la máquina.
PRECAUCIÓN significa:	La máquina u otros bienes pueden sufrir daños materiales si las indicaciones de PRECAUCIÓN que se encuentran en la máquina o en el manual de instrucciones se ignoran o no se tienen en cuenta. Lea y respete todas las indicaciones de PRECAUCIÓN que se encuentran en el manual de instrucciones y en la máquina.

 **PELIGRO:**



Si no lee el manual de instrucciones antes de operar, reparar o realizar el mantenimiento de su máquina Clarke American Sanders, el resultado puede ser que usted o el resto del personal sufra lesiones. Asimismo, pueden producirse daños a la máquina o a otras propiedades. Antes de utilizar la máquina, es necesario recibir la capacitación adecuada en la operación de la misma. **Si usted o el operador no saben leer en inglés, haga que otra persona les explique el manual exhaustivamente antes de intentar utilizar la máquina.**

 **PELIGRO:**



- El lijado/acabado de pisos de madera puede crear un entorno explosivo. No utilice la máquina cerca de solventes, diluyentes, alcohol, combustibles, acabados de pisos, polvo de madera u otros materiales inflamables. Los encendedores, las lámparas indicadoras, las chispas eléctricas y cualquier otra fuente de ignición deben extinguirse o evitarse. Mantenga el área de trabajo bien ventilada.
- El polvo que se genera al lijar pisos de madera puede encenderse o explotar espontáneamente. Elimine rápidamente el polvo de lijado en un recipiente de metal que no contenga ningún combustible. No arroje el polvo al fuego.

 **PELIGRO:**



- Puede producirse una electrocución si se repara o se realiza el mantenimiento de la máquina mientras se encuentra conectada a una fuente de alimentación. Desconecte la fuente de alimentación antes de realizar tareas de mantenimiento y reparación.
- Si la máquina se utiliza con un cable de alimentación dañado podría producirse una electrocución o un incendio. Mantenga el cable de alimentación separado de la almohadilla. Pase siempre el cable por encima de la máquina. No utilice el cable de alimentación para mover la máquina.
- Riesgo de descargas: No utilice la máquina si ha estado expuesta a la lluvia o ha sido rociada con agua.

 **PELIGRO:**



Mantenga las manos, los pies y la vestimenta suelta alejados de todas las partes móviles de la máquina para evitar lesiones. Desconecte el cable de alimentación antes de reemplazar la almohadilla, cambiar el abrasivo y realizar mantenimiento o reparaciones. No utilice la máquina a no ser que todas sus protecciones estén en su lugar. Nunca deje la máquina sin vigilancia mientras está conectada a una fuente de alimentación.

 **ADVERTENCIA:**



Si no se utilizan los dispositivos de protección personal correctos mientras se realiza el lijado, el operador o cualquier persona en el área de trabajo pueden sufrir lesiones. Utilice siempre protección respiratoria, ocular y auditiva mientras realice una operación de lijado.

 **ADVERTENCIA:**



La pulidora no debe utilizarse sobre madera tratada a presión. Algunas maderas tratadas a presión contienen arsénico y si se pule madera tratada a presión produce un polvo nocivo. La inhalación de polvo nocivo de madera tratada a presión puede causar lesiones serias o la muerte. Pulir plataformas o superficies irregulares de madera tratada a presión puede dañar la Pulidora ques no está cubierto por la garantía ni por is Renuncia de Daños.

 **ADVERTENCIA:**

Cualquier alteración o modificación realizada a esta máquina puede producir daños a la misma o lesiones al operador o a otras personas que se encuentren en el lugar. Las alteraciones o modificaciones no autorizadas por el fabricante anulan todas las garantías y responsabilidades.

Introducción y especificaciones de la máquina

La OBS-18 y la OBS-18DC pueden utilizarse en una gran variedad de superficies. Por ello, se trata de una herramienta ideal para mantenimiento de pisos de madera y trabajos de restauración. También es adecuada para la limpieza de superficies duras como baldosas o terrazo.

Model	OBS-18DC
Número de código	07014A
Voltaje/frecuencia	115V/60Hz
Intensidad de corriente (A)	10
Motor	1 hp
Tamaño de la almohadilla	12 x 18 pulg.
Cable de alimentación	40' 12-3 Ga gris con revestimiento de goma
Giros por minuto	3600
Diámetro de giro	1/4 pulg.
Peso del envío	125 lbs.
Ruido (dBA)	74
Vibración (m/s/s)	11.2

Transporte de la máquina

Para mover la máquina siga este procedimiento:

1. Desenchufe la máquina del tomacorriente de pared y enrolle el cable.
2. Eleve y bloquee la manija en posición vertical. Para trabar el mango, tire hacia arriba de la palanca de liberación del mango. Consulte la figura 1.
3. Tome la máquina por los puntos de izado y colóquela en el área de carga. Consulte la figura 2.

⚠ ADVERTENCIA: La máquina es pesada (125 lb/57kg). Para evitar daños a la misma o lesiones personales, sosténgala con firmeza y utilice la técnica de izado adecuada. De ser necesario, solicite ayuda.

4. Asegure la máquina para evitar movimientos en el área de carga.

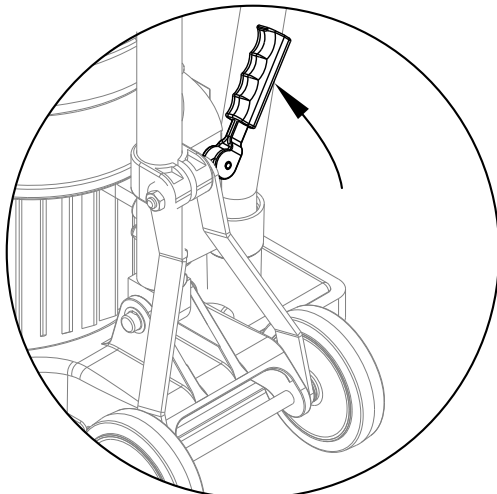


Figura 1

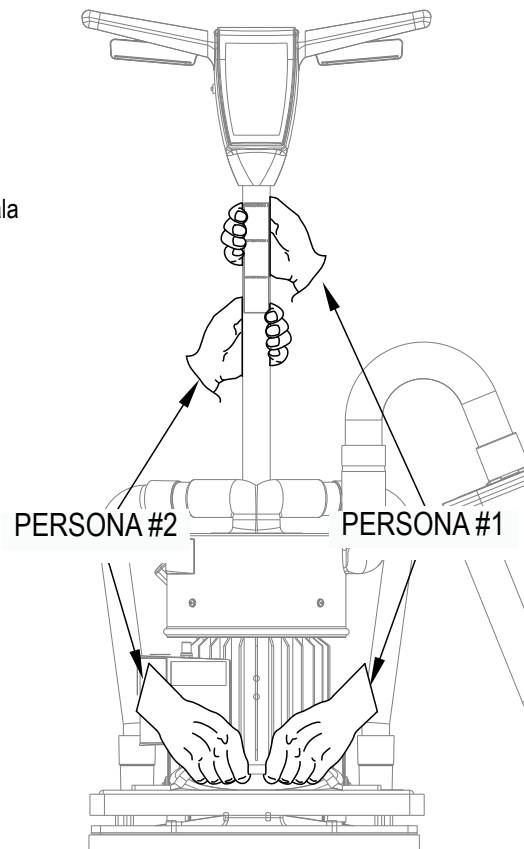


Figura 2

Instalación de la máquina

Si desea preparar la máquina para su uso, siga este procedimiento:

1. Familiarícese con la máquina. Lea todas las indicaciones de peligro, advertencia y precaución, así como el manual de instrucciones y piezas, antes de utilizar la máquina. Si usted o el operador de la máquina no pueden leer este manual, haga que otra persona se lo explique exhaustivamente antes de intentar utilizarla.
2. Instale o reemplace la almohadilla. Si la almohadilla se ha desgastado a un espesor de $3/8$ » o menos, debe ser reemplazada. Para instalar o reemplazar la almohadilla, siga estas instrucciones:
 - a.) Bloquee la manija en posición vertical.
 - b.) Incline la máquina hacia atrás hasta que esté completamente apoyada en la manija.
 - c.) Situándose sobre la máquina, retire la almohadilla existente y después centre la nueva almohadilla sobre el frente de agarre.
 - d.) Presione la almohadilla contra el frente de agarre hasta que los ganchos se fijen en la almohadilla. Consulte la figura 3.
 - e.) Vuelva a situar la máquina en posición vertical.



Figura 3

PRECAUCIÓN: El frente de agarre se daña si la máquina se opera sin una almohadilla o con una almohadilla cuyo grosor sea de $3/8$ » o menos.

ADVERTENCIA: Mientras sustituye la almohadilla o cambia el abrasivo, nunca se sitúe usted mismo (ni deje que otras personas lo hagan) en una posición en la que pueda lesionarse si la máquina se inclina o cae.

Instalación de la máquina

Esta lijadora está diseñada para utilizarse con un sistema colector de polvo remoto mediante vacío o con la bolsa de polvo incluida.

Preparación de los sistemas colectores de polvo remotos mediante vacío

Si desea preparar la máquina para sistemas colectores de polvo remotos mediante vacío que tengan un extremo de manguera de 2», siga este procedimiento:

1. Instale el extremo de manguera de 2» (figura 4, A) directamente sobre el tubo de escape (figura 4, B).
2. El tubo de escape puede girarse para mayor comodidad.

Si desea preparar la máquina para sistemas colectores de polvo remotos mediante vacío que tengan un extremo de manguera de 1 ½», siga este procedimiento:

1. Instale el adaptador del extremo de manguera de 2» x 1 ½» (Nº de pieza 30563A) (figura 4, C) sobre el tubo de escape (figura 4, B).
2. Inserte el extremo de manguera de 1 ½» (figura 4, D) en el adaptador (figura 4, C).

NOTA: Ponga en marcha el sistema colector remoto mediante vacío antes de encender la máquina.

Preparación para usar la bolsa de polvo incluida

Si desea preparar la máquina para su uso con la bolsa de polvo incluida (Nº de pieza 53741A), siga este procedimiento.

1. Instale la bolsa de recolección de polvo presionando el extremo del tubo de escape hasta que el anillo encaje dentro de la ranura (figura 5). El mejor modo de hacer esto es presionando la parte posterior de la abertura de la bolsa con la palma de su mano.
2. El tubo de escape puede girarse para mayor comodidad.
3. Para retirar la bolsa de polvo del tubo de escape, haga palanca hacia arriba en el extremo de la abertura de la bolsa para liberar parcialmente el saliente interno de la ranura, y después tire.
4. Para vaciar la bolsa de polvo, abra la aleta de vaciado y saque sus contenidos dando la vuelta a la bolsa.

NOTA: Para lograr los mejores resultados, vacíe frecuentemente. Siga todas las advertencias incluidas en el manual y en la bolsa de polvo.

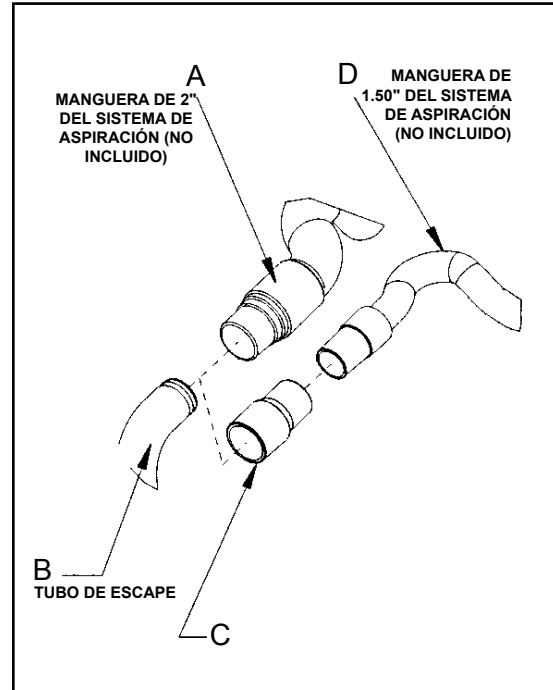


Figura 4

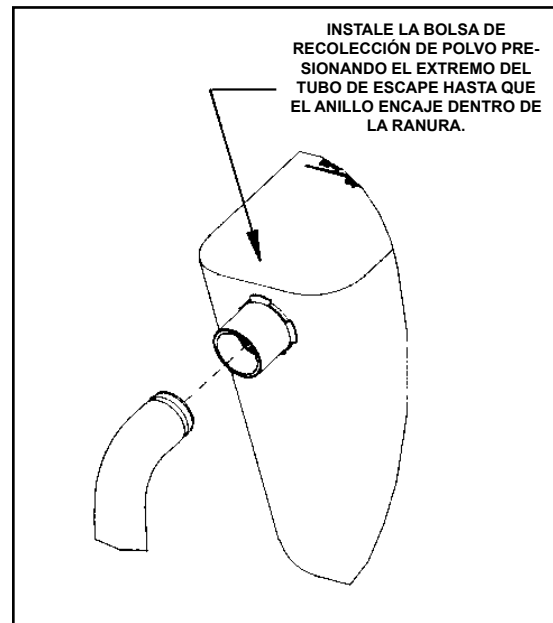


Figura 5

Instrucciones de funcionamiento - Lijado

Para operar la máquina como una lijadora, siga este procedimiento:

1. Desplace la máquina al lugar de trabajo. Seleccione el mejor método para lijar el área deseada. Mientras lija dicha área, trabaje de manera tal que usted se aleje de la fuente de alimentación. Esto ayudará a evitar que el cable de alimentación se enrede y reduce la necesidad de mover dicho cable con tanta frecuencia.
2. Instale el abrasivo. Para instalar el abrasivo, utilice el mismo procedimiento descrito en INSTALACIÓN DE LA MÁQUINA para la instalación de la almohadilla. Retire la película de la parte posterior del abrasivo, centre el mismo sobre la almohadilla y presiónelo contra ésta. El adhesivo del abrasivo lo sostendrá en la almohadilla.

NOTA: Si utiliza abrasivo de tela metálica, sitúe la tela metálica sobre el suelo y a continuación desplace la máquina sobre la misma. Baje la máquina hasta que la almohadilla se apoye sobre la tela metálica. Asegúrese de que la tela metálica esté centrada en la almohadilla.

⚠ ADVERTENCIA: Puede producirse una lesión si se instalan la almohadilla o el abrasivo mientras la máquina se encuentra conectada a una fuente de alimentación. Desconecte la máquina antes de instalar la almohadilla o el abrasivo.

3. Conecte la máquina a un circuito adecuadamente provisto de fusibles y conectado a tierra.
4. Suelte la manija presionando la palanca de bloqueo. Sitúe la manija en una posición cómoda.

⚠ PRECAUCIÓN: no bloquee la manija. Si se bloquea la manija, la máquina no podrá reposar de forma uniforme en la almohadilla y disminuirán el rendimiento de la máquina y su fiabilidad.

5. Pulse el botón de interbloqueo (1) y aplique presión a las palancas (2). Para detener la máquina, suelte las palancas (2). Consulte la figura 6.

⚠ PRECAUCIÓN: para evitar daños al piso y reducir los remolinos, mantenga la máquina en movimiento mientras el motor esté funcionando.

NOTA: para cortes de lija y papel de lija consulte la página 25.

Instrucciones de funcionamiento - Pulido

Para operar la máquina como una pulidora siga este procedimiento:

⚠ ADVERTENCIA: puede producirse una lesión si se instalan la almohadilla o el abrasivo mientras la máquina se encuentra conectada a una fuente de alimentación. Desconecte la máquina antes de instalar la almohadilla o el abrasivo.

1. Conecte la máquina a un circuito adecuadamente provisto de fusibles y conectado a tierra.
2. Suelte la manija presionando la palanca de bloqueo. Sitúe la manija en una posición cómoda.

⚠ PRECAUCIÓN: No bloquee la manija. Si se bloquea la manija, la máquina no podrá reposar de forma uniforme en la almohadilla y disminuirá el rendimiento de la máquina y su fiabilidad.

3. Pulse el botón de interbloqueo (1) y aplique presión a las palancas (2). Para detener la máquina, suelte las palancas (2). Consulte la figura 6.

⚠ PRECAUCIÓN: Para evitar dañar el suelo y reducir los remolinos, mantenga la máquina en movimiento mientras el motor esté en funcionamiento.

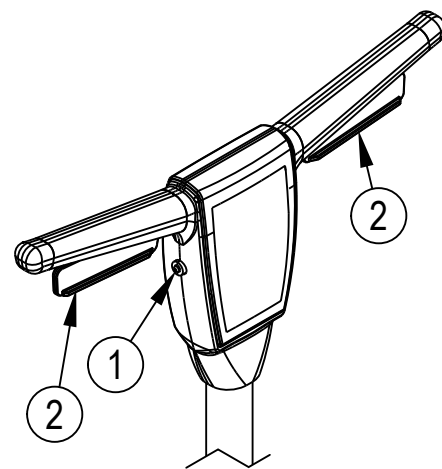


Figura 6

Resolución de problemas

Problema	Causa	Acción
El motor no arranca.	<p>No hay potencia.</p> <p>El interbloqueo no está presionado.</p> <p>Interruptor defectuoso / mala conexión</p>	<p>Inspeccione la fuente de alimentación y la conexión</p> <p>Presione el interbloqueo antes de activar la palanca de control.</p> <p>Póngase en contacto con un distribuidor autorizado de American Sanders Technology.</p>
El motor no arranca / funciona	<p>Tensión baja debido a cable demasiado largo</p> <p>El capacitor de arranque es defectuoso.</p> <p>El interruptor de arranque es defectuoso.</p>	<p>Use un alargador de calibre 14, que no sea lento. o demasiado corto. supere los 50' de longitud.</p> <p>Póngase en contacto con un distribuidor autorizado de American Sanders Technology.</p> <p>Póngase en contacto con un distribuidor autorizado de American Sanders Technology.</p>
	<p>Capacitor de arranque/funcionamiento defectuoso</p> <p>Baja tensión del motor defectuosa</p>	<p>Póngase en contacto con un distribuidor autorizado de American Sanders Technology.</p> <p>Póngase en contacto con un distribuidor autorizado de American Sanders Technology.</p>
El fusible / disyuntor se disparan repetidas veces.	<p>Baja tensión.</p> <p>Conexión defectuosa.</p> <p>El motor es defectuoso.</p>	<p>Retire el alargador. Localice la fuente eléctrica más cercana al lugar de trabajo. Haga que la tensión sea inspeccionada por un electricista calificado.</p> <p>Póngase en contacto con un distribuidor autorizado de American Sanders Technology.</p> <p>Póngase en contacto con un distribuidor autorizado de American Sanders Technology.</p>

Cortes de lija y papel de lija**Corte inicial**

El propósito del corte inicial es sacar el acabado viejo y las imperfecciones mayores de la superficie del piso. Se debe usar un abrasivo grueso (20-36 granos).

Cortes finales

El propósito de un corte de acabado es eliminar los rayones producidos durante el corte inicial. Utilice un abrasivo de grano fino (60-80 granos) .

Si la superficie permanece áspera después de un corte de acabado, puede ser necesario utilizar un abrasivo de grano aún más fino (80 - 100 granos). Se deberá tener cuidado al seleccionar el tamaño del grano del abrasivo. Un grano muy fino cerrará los poros sobre el piso de madera dando lugar a problema de manchas.

Si un corte de acabado apareciera inmediatamente glaseado o quemado, aumente el ritmo. Si esto ocurriera durante un corte final, significa que el abrasivo se ha desafilado y deberá cambiarse.

LISEZ CE MANUEL

Ce Manuel contient des informations importantes concernant l'utilisation et le fonctionnement de cette machine dans des conditions de sécurité optimales. La non-lecture de ce manuel avant d'utiliser ou d'entretenir votre machine Clarke American Sanders risque de provoquer un accident ou d'endommager la machine ou son environnement. Vous devez avoir été formé à l'utilisation de cette machine avant de l'utiliser. Si l'opérateur n'est pas en mesure de lire ce Manuel, il devra se le faire expliquer entièrement avant de tenter d'utiliser cette machine.

Toutes les directions données dans ce Manuel le sont par rapport à la position de l'opérateur, à l'arrière de la machine.

Contenu de ce manuel




Consignes de sécurité	19
Introduction et spécifications de l'appareil.....	20
Transport de l'appareil.....	20
Préparation de l'appareil.....	21
Utilisation de l'appareil.....	23
Dépannage.....	24
Ponçage et papier abrasif.....	25


Section II, manuel de réparation et schémas de pièces 28-34

 AVERTISSEMENT !

Les Produits vendus avec le présent manuel contiennent ou peuvent contenir des produits chimiques reconnus par certains gouvernements (comme l'État de Californie, par le biais de la proposition de loi d'avertissement réglementaire 65) comme provoquant des cancers, des anomalies congénitales et autres dangers pour la reproduction. Dans certains endroits (comme l'État de Californie), les acheteurs de ces Produits, qui les utilisent sur un lieu de travail ou dans un espace public, ont l'obligation d'apposer certains avis, avertissements ou informations concernant les produits chimiques qui sont ou peuvent être contenus dans les Produits dans ces lieux ou aux alentours de ces lieux de travail. Il incombe à l'acheteur de connaître les dispositions de, et de respecter, toutes les lois et réglementations ayant trait à l'utilisation de ces Produits au sein de tels environnements. Le Fabricant rejette toute responsabilité d'informer les acheteurs concernant des exigences spécifiques qui peuvent s'appliquer à l'utilisation des Produits dans de tels environnements.

CONSIGNES DE SÉCURITÉ

	DANGER signifie:	Si une consigne DANGER figurant dans ce manuel d'utilisation ou sur l'appareil n'est pas respectée ou suivie, des blessures graves, voire mortelles, peuvent vous arriver ainsi qu'à d'autres personnes. Lisez et observez toutes les consignes DANGER apparaissant sur l'appareil ou dans votre manuel d'utilisation.
	AVERTISSEMENT signifie:	Si une consigne AVERTISSEMENT figurant dans ce manuel d'utilisation ou sur l'appareil n'est pas respectée ou suivie, des blessures peuvent vous arriver ainsi qu'à d'autres personnes. Lisez et observez toutes les consignes AVERTISSEMENT apparaissant sur l'appareil ou dans votre manuel d'utilisation.
	ATTENTION signifie:	Si une consigne ATTENTION figurant dans ce manuel d'utilisation ou sur l'appareil n'est pas respectée ou suivie, vous risquez d'endommager l'appareil et de causer divers dommages matériels. Lisez et observez toutes les consignes ATTENTION apparaissant sur l'appareil ou dans votre manuel d'utilisation.

-  **DANGER:** Si vous ne lisez pas le manuel d'utilisation avant d'utiliser ou réparer votre appareil Clarke, vous risquez de vous blesser ainsi que d'autres personnes. Vous risquez également d'endommager l'appareil et de causer divers dommages matériels. Avant d'utiliser cet appareil, vous devez avoir reçu une formation sur son utilisation. **Si un utilisateur est incapable de lire ce manuel, il doit en demander une explication complète avant d'utiliser l'appareil.**
-  **DANGER:**
- Le ponçage des parquets de bois peut créer un environnement explosif ou combustible. Ne pas utiliser cet appareil à proximité de solvants, de diluants, d'alcool, de carburant, de poussière de bois ou d'autres matériaux inflammables. Les vapeurs et la poussière de bois produites par le ponçage des parquets peuvent créer un environnement explosif. Les briquets, les témoins lumineux, les étincelles électriques et toutes les autres sources d'allumage doivent être éteints. Garder la zone de travail bien aérée.
 - La poussière produite par le ponçage d'un parquet de bois peut exploser ou s'enflammer soudainement. Jeter sans délai toute la poussière de ponçage dans un récipient métallique ne contenant aucun combustible. Ne pas jeter au feu.
-  **DANGER:**
- Une électrocution peut survenir si l'appareil est réparé alors qu'il est raccordé à une source d'alimentation électrique. Déconnecter l'alimentation électrique avant toute réparation.
 - Une électrocution ou incendie peuvent survenir si l'appareil est utilisé avec un cordon d'alimentation électrique endommagé. Le cordon d'alimentation doit demeurer à bonne distance du patin de ponçage. Le cordon doit toujours être soulevé au-dessus de l'appareil. Ne jamais tirer l'appareil par le cordon d'alimentation.
 - Risque d'électrocution. Ne pas utiliser l'appareil s'il a été exposé à la pluie ou arrosé avec de l'eau.
-  **DANGER:**
- Pour éviter les blessures, il faut toujours garder les mains, les pieds et les vêtements amples à bonne distance des pièces mobiles de l'appareil. Le cordon d'alimentation doit être débranché avant de remplacer le patin de ponçage ou le papier abrasif, ainsi qu'avant toute réparation. Ne pas utiliser l'appareil si toutes les protections ne sont pas en place. Ne jamais laisser l'appareil sans surveillance lorsqu'il est branché à une alimentation électrique.
-  **AVERTISSEMENT:**
- L'opérateur, ou toute personne à proximité, doit porter une tenue de protection en cours de ponçage pour prévenir les blessures. Utilisez toujours une protection oculaire et auditive ainsi qu'un appareil respiratoire lors de tout ponçage/sablage.
-  **AVERTISSEMENT:**
- La ponceuse ne doit pas être utilisée sur du bois traité sous pression. Certains bois traités sous pression contiennent de l'arsenic, le ponçage du bois traité sous pression produit des poussières dangereuses. L'inhalation de poussières dangereuse produite par du bois traité sous pression risque d'entraîner la mort ou de graves blessures. La ponçage de bois traité sous pression ou de surfaces irrégulières risque d'endommager la ponceuse qui n'est pas converti ni par la garantie ni par les Exonérations de Dommages.
-  **AVERTISSEMENT:**
- Toute modification apportée à cet appareil peut l'endommager et blesser l'opérateur ou des passants. Les modifications non autorisées par le fabricant annulent toutes les garanties et responsabilités.

Introduction et spécifications de l'appareil

Les appareils OBS-18 et OBS-18DC peuvent être utilisés sur une grande variété de surfaces. C'est un outil idéal pour l'entretien et la remise à neuf des parquets. Il permet également de nettoyer diverses surfaces dures, comme le carrelage en céramique et le granito.

Modèle	OBS-18DC
Numéro de code	07014A
Tension/fréquence	115V/60Hz
Intensité (A)	10
Moteur	1 hp
Dimensions du patin	30.5cm x 45.7cm
Câble d'alimentation	12.19m, grosseur 12-3, gaine grise en caoutchouc
Orbites par minute	3600
Diamètre des orbites	6.35 mm
Poids à l'expédition	57 kg.
Bruit (dBA)	74
Vibrations (m/s/s)	11.2

Transport de l'appareil

Pour transporter l'appareil, exécutez les opérations suivantes:

1. Débranchez la fiche de branchement électrique de l'appareil, puis enroulez le cordon d'alimentation.
2. Relevez le manche de l'appareil et bloquez-le en position droite. Pour bloquer le manche, tirez le levier de blocage par compression du manche vers le haut (voir la figure 1).
3. Saisissez l'appareil aux points de levage et placez-le dans le compartiment de transport (voir la figure 2).

⚠ AVERTISSEMENT: L'appareil est lourd(125 livres/57 kg). Pour éviter de vous blesser et d'endommager l'appareil, utilisez une prise solide et une bonne technique de levage. Demandez de l'aide si nécessaire.

4. Attachez l'appareil pour éviter qu'il ne bouge sur le véhicule de transport.

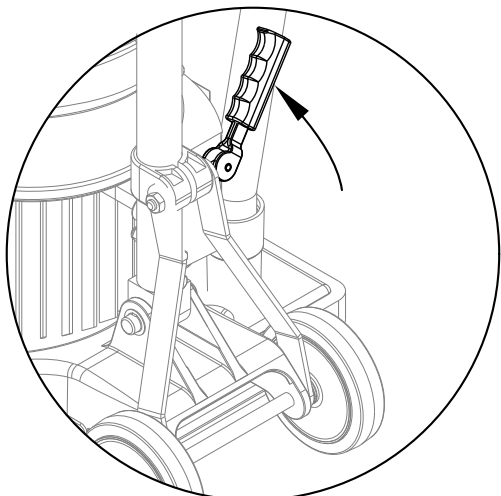


Figure 1

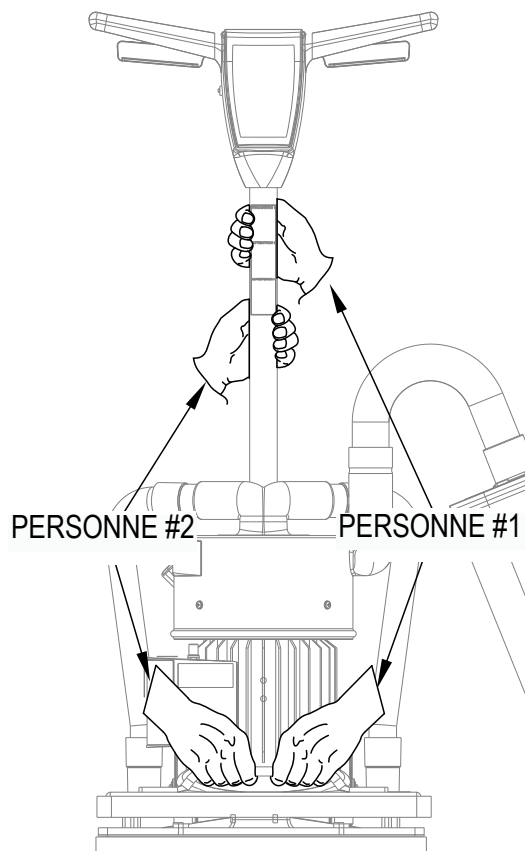


Figure 2

Préparation de l'appareil

Pour préparer l'appareil avant une utilisation, exécutez les opérations suivantes:

1. Familiarisez-vous avec l'appareil. Avant toute utilisation de l'appareil, lisez les avertissements, les consignes de sécurité et le manuel d'utilisation. Si un utilisateur est incapable de lire ce manuel, il doit en demander une explication complète avant d'utiliser l'appareil.
2. Installez ou remplacez le patin de ponçage. Il doit être remplacé s'il est usé jusqu'à une épaisseur égale ou inférieure à 3/8 po. Pour installer ou remplacer le patin de ponçage, exécutez les opérations suivantes :
 - a.) Verrouillez le manche en position redressée.
 - b.) Inclinez l'appareil vers l'arrière jusqu'à ce qu'il repose complètement sur les poignées.
 - c.) En vous tenant au-dessus de l'appareil, enlevez le vieux patin de ponçage et centrez un nouveau patin sur le plateau de ponçage auto-agrippant.
 - d.) Appuyez le patin contre le plateau de ponçage auto-agrippant jusqu'à ce que les crochets de le plateau de ponçage auto-agrippant aient accrochés le patin (voir la figure 3).
 - e.) Redressez l'appareil.



Figure 3



ATTENTION:

Le plateau de ponçage auto-agrippant sera endommagée si l'appareil est utilisé sans patin de ponçage ou avec un patin d'une épaisseur égale ou inférieure à 3/8 po.



AVERTISSEMENT:

Lorsque vous remplacez le patin de ponçage ou le papier abrasif, ne vous placez pas et ne laissez pas d'autres personnes se placer dans une position pouvant provoquer une blessure si l'appareil venait à basculer ou se renverser.

Préparation de l'appareil

Cette ponceuse est conçue pour fonctionner équipée d'un système à distance de collecte des poussières par le vide, ou du sac à poussières fourni.

Préparation des systèmes à distance de collecte des poussières par le vide

Pour préparer la machine à l'utilisation d'un système à distance de collecte des poussières par le vide ayant une extrémité de tuyau de 5 cm, procéder comme suit:

1. Monter l'extrémité de tuyau de 5 cm (figure 4, A) directement sur le tuyau d'évacuation (figure 4, B).
2. Il est possible de tourner le tuyau d'évacuation pour plus de commodité.

Pour préparer la machine à l'utilisation d'un système à distance de collecte des poussières par le vide ayant une extrémité de tuyau de 3,80 cm, procéder comme suit:

1. Monter l'adaptateur d'extrémité de tuyau (5 x 3,8 cm- Pièce n° 30563A) (figure 4, C) sur le tuyau d'évacuation (figure 4, B).
2. Introduire l'extrémité de tuyau de 3,80 cm (figure 4, D) dans l'adaptateur (figure 4, C).

NOTE: Faire démarrer le système à distance de collecte par le vide avant de travailler.

Préparation pour utilisation du sac à poussières fourni

Pour préparer la machine à l'utilisation du sac à poussières fourni (Pièce n° 53741A), procéder comme suit:

1. Installez le sac à poussières en appuyant son extrémité sur le tuyau d'évacuation jusqu'à ce que l'anneau se verrouille dans la rainure (figure 5). On y parvient plus facilement en appuyant sur l'arrière de l'ouverture du sac avec la paume de la main.
2. Il est possible de tourner le tuyau d'évacuation pour plus de commodité.
3. Pour retirer le sac à poussières du tuyau d'évacuation, soulever l'extrémité de l'ouverture du sac pour partiellement dégager la nervure interne de la rainure, puis tirer.
4. Pour vider le sac à poussières, ouvrir la fermeture éclair de la trappe d'évacuation des déchets et expulser le contenu en retournant le sac.

NOTE: Pour obtenir les meilleurs résultats, vider fréquemment le sac. Respecter toutes les mises en garde indiquées dans le présent manuel et sur le sac à poussières.

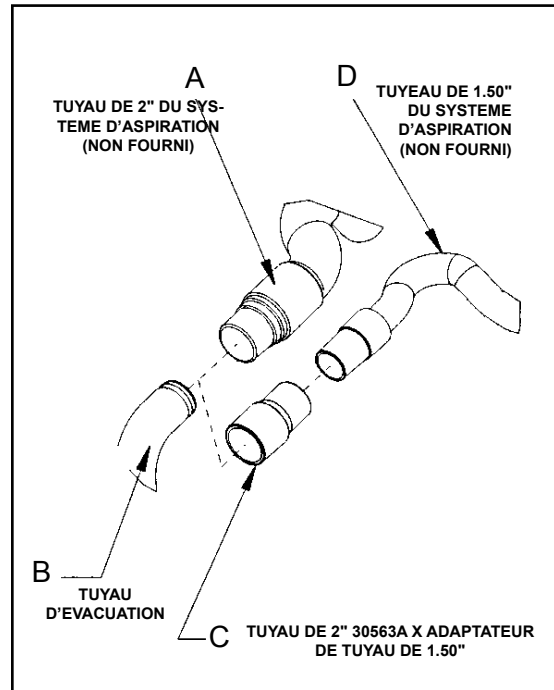


Figure 4

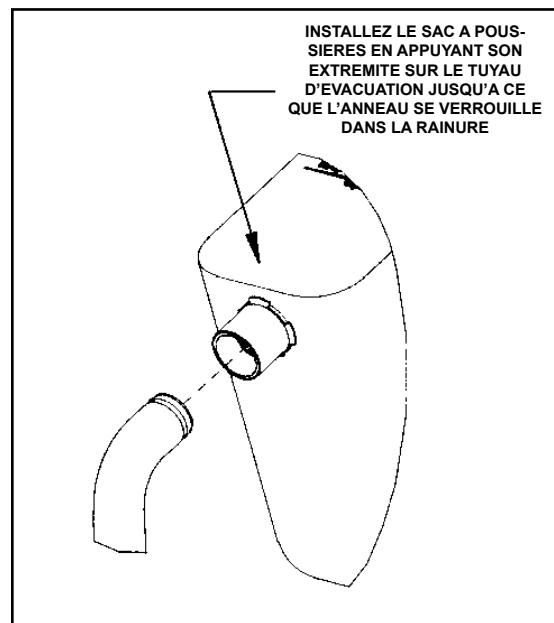


Figure 5

Utilisation de l'appareil – Ponçage

Pour poncer avec l'appareil, exécutez les opérations suivantes:

1. Déplacez l'appareil jusqu'au site de ponçage. Choisissez la meilleure approche pour poncer la zone à traiter. Lorsque vous ponchez une zone, déplacez-vous de façon à vous éloigner de la prise électrique. Vous réduirez ainsi les risques d'emmêler le cordon et vous serez moins souvent contraint de déplacer le cordon.
2. Installez le papier abrasif. Pour ce faire, utilisez la procédure d'installation du patin de ponçage décrite sous PRÉPARATION DE L'APPAREIL. Décollez la pellicule protectrice derrière le papier abrasif, centrez le papier sur le patin de ponçage et appuyez sur le papier pour le coller au patin. L'adhésif se trouvant sur le papier suffit pour le retenir sur le patin.

REMARQUE: Lorsque vous utilisez un abrasif grillagé, posez le grillage sur le sol, puis placez l'appareil au-dessus du grillage. Abaissez l'appareil jusqu'à ce que le patin de ponçage repose sur le grillage. Assurez-vous que le grillage est centré sur le patin.

AVERTISSEMENT: Des blessures peuvent survenir si l'appareil est raccordé à une source d'alimentation électrique pendant que vous installez un patin de ponçage ou un papier abrasif. Débranchez l'appareil avant toute installation d'un patin ou d'un papier abrasif.

3. Connectez l'appareil à un circuit électrique adéquatement mis à la terre et protégé par un fusible ou un disjoncteur.
4. Débloquez le manche en relevant le levier de verrouillage. Descendez le manche jusqu'à une hauteur confortable.

ATTENTION: Ne pas verrouiller le manche de l'appareil. Verrouiller la manche empêchera l'appareil de reposer également sur le coussin et diminue l'exécution de machine.

5. Pousser sur le bouton de verrouillage (1) et appliquer une pression des mains sur les leviers (2). Pour arrêter l'appareil, relâchez les leviers (Voir fig. 5).

ATTENTION: Pour éviter d'endommager les parquets et pour réduire le tourbillonnement, gardez l'appareil en mouvement lorsque le moteur fonctionne.

REMARQUE: Pour avoir des conseils sur le ponçage et le papier abrasif, voir en page 33.

Utilisation de l'appareil – Polissage

Pour polir avec l'appareil, exécutez les opérations suivantes:

AVERTISSEMENT: Des blessures peuvent survenir si l'appareil est raccordé à une source d'alimentation électrique pendant que vous installez un patin de ponçage ou un papier abrasif. Débranchez l'appareil avant toute installation d'un patin ou d'un papier abrasif.

1. Connectez l'appareil à un circuit électrique adéquatement mis à la terre et protégé par un fusible ou un disjoncteur.
2. Débloquez le manche en relevant le levier de verrouillage. Descendez le manche jusqu'à une hauteur confortable.

ATTENTION: Ne pas verrouiller le manche de l'appareil. Verrouiller la manche empêchera l'appareil de reposer également sur le coussin et diminue l'exécution de machine.

3. Pousser sur le bouton de verrouillage (1) et appliquer une pression des mains sur les leviers (2). Pour arrêter l'appareil, relâchez les leviers (Voir fig. 4).

ATTENTION: Pour éviter d'endommager les parquets et pour réduire le tourbillonnement, gardez l'appareil en mouvement lorsque le moteur fonctionne.

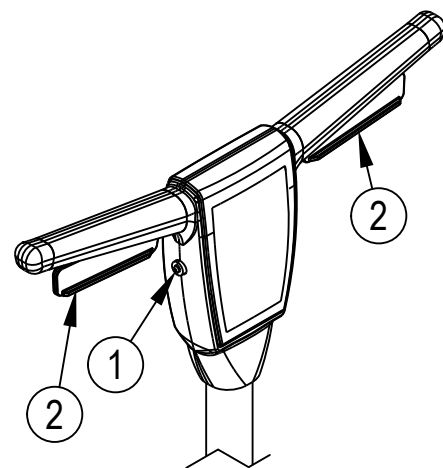


Figure 6

Dépannage

Problème	Cause	Solution
Le moteur ne démarre pas.	<p>Aucune alimentation électrique.</p> <p>Le verrou n'est pas enfoncé.</p> <p>Interrupteur défectueux, mauvaise connexion.</p>	<p>Vérifiez l'alimentation électrique et les connexions.</p> <p>Enfoncez le verrou avant d'actionner la manette de commande.</p> <p>Contactez un détaillant Clarke agréé.</p>
Le moteur démarre mal ou fonctionne trop lentement.	<p>Tension faible à cause d'une rallonge trop longue ou trop fine.</p> <p>Défectuosité du condensateur de démarrage.</p> <p>Défectuosité du démarreur.</p> <p>Défectuosité du condensateur de démarrage/fonctionnement.</p> <p>Problème de tension faible dans le moteur.</p>	<p>Utilisez une rallonge électrique de grosseur 14 ne dépassant pas 50 pieds.</p> <p>Contactez un détaillant Clarke agréé.</p> <p>Contactez un détaillant Clarke agréé.</p> <p>Contactez un détaillant Clarke agréé.</p> <p>Contactez un détaillant Clarke agréé.</p>
Le fusible ou le disjoncteur saute très souvent.	<p>Tension trop faible.</p> <p>Mauvaise connexion.</p> <p>Moteur défectueux.</p>	<p>Éliminez la rallonge électrique. Trouvez une source d'alimentation électrique plus proche du site. Faites vérifier la tension électrique par un électricien.</p> <p>Contactez un détaillant Clarke agréé.</p> <p>Contactez un détaillant Clarke agréé.</p>

Ponçage et papier abrasif

Premier passage

Le but du premier passage est d'enlever l'ancienne finition et les plus grosses imperfections. Utilisez un papier abrasif à gros grains (20-36 grains).

Passages finaux

Le but d'un passage final est d'enlever les rayures produites durant le premier passage. Utilisez un papier abrasif à petits grains (60-80 grains).

Si la surface demeure rugueuse après un passage final, il pourrait être nécessaire d'utiliser un papier abrasif à grains plus fins (80-100 grains). La grosseur des grains abrasifs doit être choisie avec soin. Un grain trop fin risque de refermer les pores du bois, nuisant ainsi à l'absorption ultérieure de la teinture.

Si vous détectez une vitrification ou des traces de brûlure, le papier abrasif s'est émoussé et doit être remplacé.

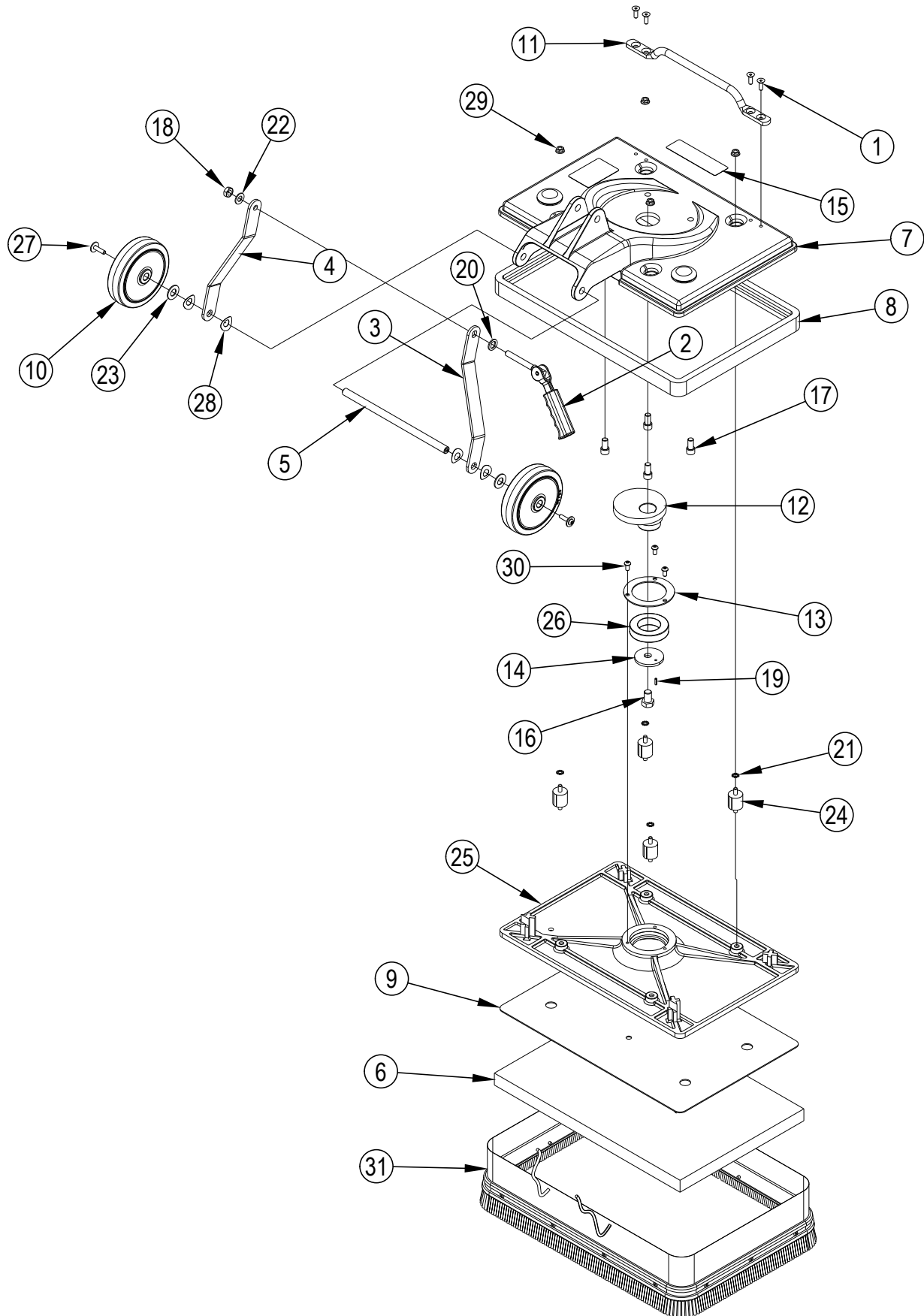
Clarke[®]
American Sanders[®]

OBS-18DC
HDTR

Section II
Parts Manual

(70403B)

BASE ASSEMBLY



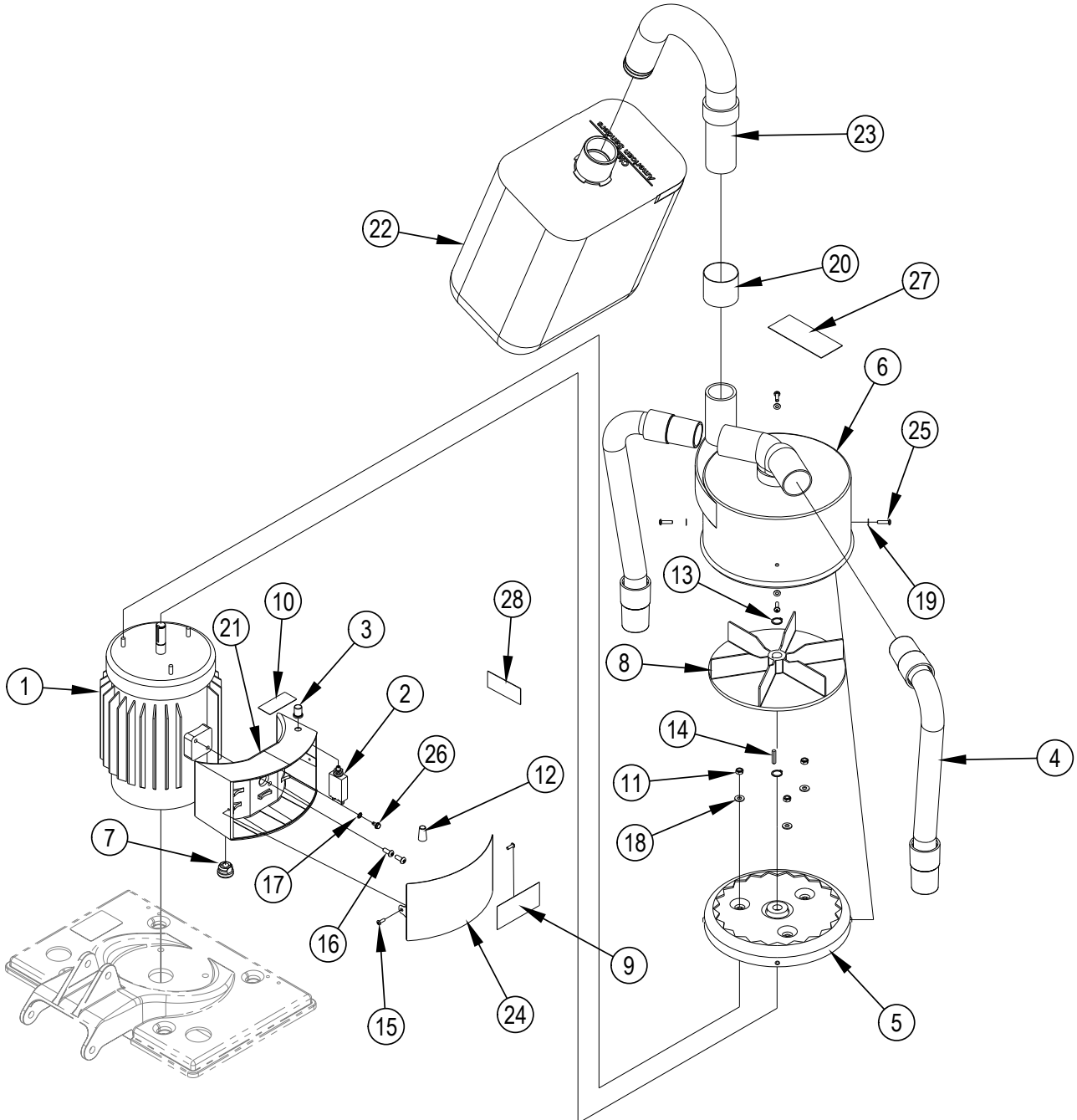
BASE ASSEMBLY

Item	Ref. No.	Qty	Description
1	962411	4	Scr 1/4 -20x 3/4 Sf St Cap
2	56109699	1	Cam Assy With Grip NOTE 1
3	56381766	1	Link-Arm Right NOTE 2
4	56381767	1	Link-Arm Left NOTE 2
5	56381768	1	Shaft-Axle NOTE 2
6	56382759	1	Pad, Red (case of 20)
7	25908A	1	Mainframe Obs-18dc
8	31224B	1	Bumper Frame Black
9	39730A	1	Grip Face
10	39857A	2	Wheel 5 X 1.50 X .500 NOTE 2
11	54930A	1	Handle-Lift
12	62814A	1	Eccentric Obs-18
13	66981A	1	Retainer Bearing Obs-18
14	66982A	1	Retainer Eccentric Obs-18
15	70499A	1	Label Cas
16	85718A	1	Scr 1/2-13 X 3/4 Hc St Grd 2
17	86112A	4	Screw-3/8-16 X 3/4-Socket Head
18	920248	1	Nut, 3/8-16. Esna, Jam
19	925589	1	Pin, Roll
20	980349	1	Washer Wear Cam
21	980614	4	Washer, 1/4" Starlock, External
22	980645	1	Washer, 3/8" S.A.E. Flat
23	980648	2	Washer 17/32 X 1 1/16 Plain NOTE 2
24	10666A	1	Spring Mount Kit OBS-18 (includes four isolators and four of item 21)
25	29931A	1	Base-Orbital
26	50736A	1	Bearing
27	80292A	2	Screw .25-20 X 1.00 Bhhr Sems NOTE 2
28	80295A	4	Washer Bowed
29	81220A	4	Nut, Serrated Flange
30	87700A	3	Screw 1/4-20 X 1/2 B.H.
31	18445A	1	Skirt Asmdust OBS-18DC TSBCAS2010-04

[] = Not Shown

NOTE 1: 56109699 replaces the following three parts: 925592, 461404, 441301.**NOTE 2:** Lower Link Arm 61831A is no longer used in production. Items (3, 4, 5, 10, 23, 27) have replaced the old configuration as of March 2011.

MOTOR ASSEMBLY



MOTOR ASSEMBLY

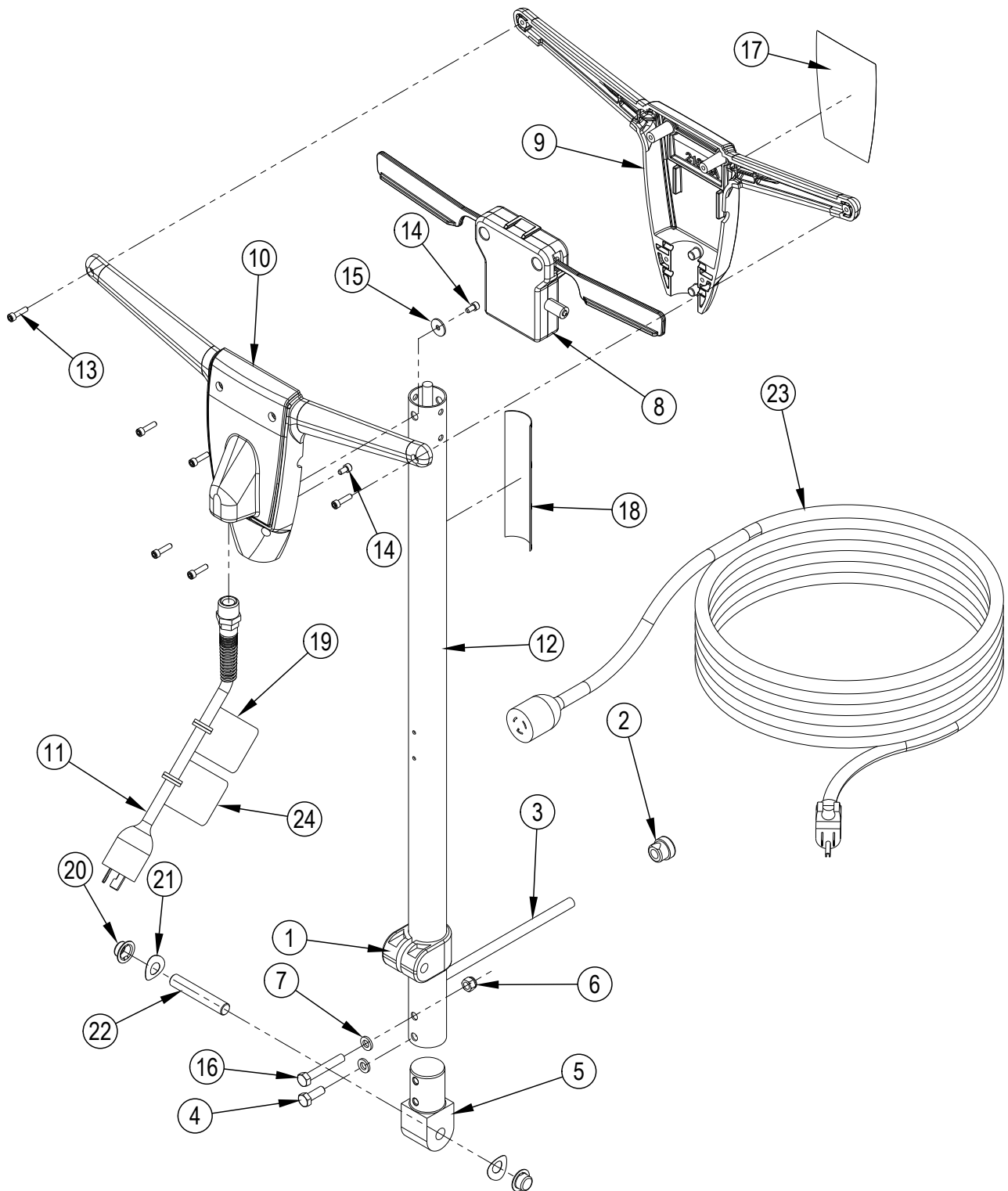
Item	Ref. No.	Qty	Description
1	56382885	1	Motor1HP 115V/60 HZ OBS-18DC (Baldor115V)
[]	40160A	1	Starter Switch
[]	41311A	1	Capacitorrun25mfd 370v (115V)
[]	41312A	1	Capacitor Start 400-480mfd125v (115V)
1	NA	1	Motor1HP 115V/60 HZ OBS-18DC (Imperial 115V)
[]	56380670	1	Switch-Starter 40A 115V for all 115V
[]	41311A	1	Capacitorrun25mfd 370v (115V)
[]	41312A	1	Capacitor Start 400-480mfd125v (115V)
2	56454538	1	Circuit Breaker, 15 Amp (115V) NOTE 1
	41419A	1	Circuit Breaker15a (115V) NOTE 2
	41418C	1	Breakercircuit10a qd.25 Srt (230V)
[]	47709A	1	Terminal1/4 Fifqd 12-10 Ga.
3	56459367	1	Boot, Reset Button NOTE 1
4	30407B	2	Hose
5	10478A	1	Asm. Blower Housing Cover
6	35242A	1	Housingblower Obs-18dc
7	51523A	1	Bushing Strain Relief
8	54765A	1	Impeller
9	77195A	1	Label-UI Fire & Sand.
10	77234A	1	Plate-Warning
11	81217A	3	Nut, 1/4-20 Hex Esna
12	170667	1	Wire Connector Twist On 74b
13	797301	2	Ring Retaining Ext 5/8"
14	915044	1	Key, 3/16 Sq.
15	962727	2	Screw, 8-32 X 1/2
16	962822	2	Screw 1/4-20 X 5/8 Bt St Soc
17	980603	1	Washer, #10 Lock External Tooth
18	980646	3	Washer 1/4 Sae Flat Pltd
19	980982	4	Washer 10 Sae Flat Pltd
20	56380336	1	Seal-Dust Pipe
21	22906A	1	Enclosure, Motor Start
22	53741A	1	Bag, Dust Obs18
23	61833A	1	Tube, Exhaust Weldment
24	62667A	1	Cover, Enclosure
25	85383A	4	Screw, 10-32 X 3/4 P.H.
26	85833A	1	10-32x3/8 Hw Type 23
27	70825A	1	Label HDTR 2 X 5 For Bext
28	70823A	1	Label HDTR 1.3 X 3

[] = Not Shown

NOTE 1: Used on machines after October 2011.

NOTE 2: Used on machines before November 2011.

HANDLE ASSEMBLY



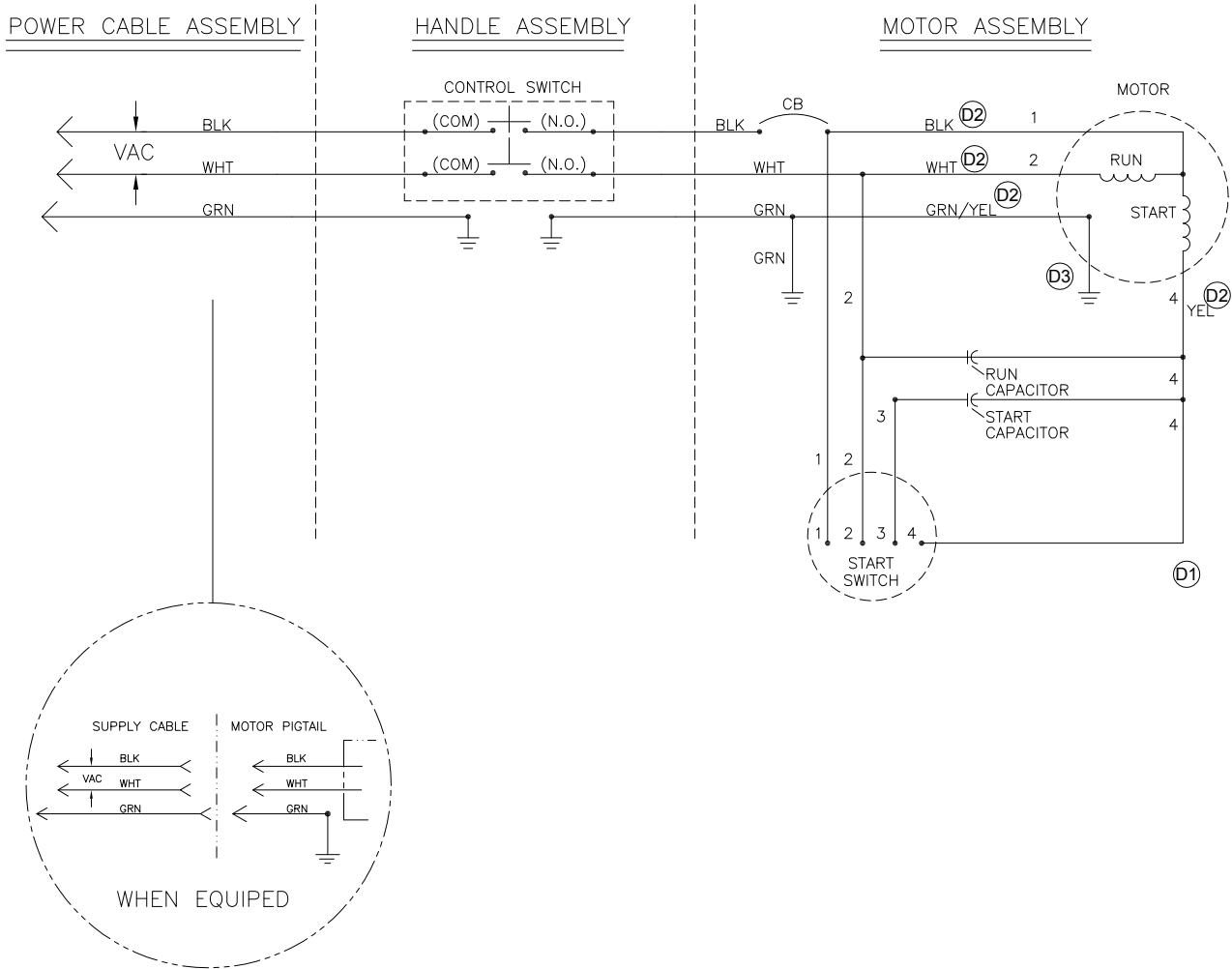
HANDLE ASSEMBLY

Item	Ref. No.	Qty	Description
1	442001	1	Clamp-Handle Tube
2	627561	1	Strain-Relief
3	40522A	1	Cord Interconnect
4	85812A	1	Screw 5/16-18 X 7/8 Hex Hd Gr5
5	509240	1	Tongue, Handle Tube
6	920110	1	Nut, 5/16-18 Hex Lock
7	980652	2	Washer, 5/16 Lock
8	10687A	1	Interlock Asm
9	21074A	1	Handle, Front - Cfp
10	21075A	1	Handle, Rear - Cfp
11	40931A	1	Cord Adapter NOTE 1
12	61825A	1	Tube-Handle
13	80284A	6	Screw 10-32 UNF X .75 H.R.C.S.
14	80290A	2	Screw 10-32 X .38 HRCS
15	80291A	1	Washer, Flat #10 (.203x.734x.063)
16	85817A	1	Screw 5/16-18 X 2.00 Hex Hd Gr5
17	71126A	1	Label, Handle
18	71347A	1	Label Cca Warning
19#	70175A	1	Tag-Warning Eng-Spn
20	920346	2	Palnut #Pw500015 Type W
21	80295A	2	Washer Bowed
22	67474A	1	Shaft-Handle Pivot
23	40540A	1	Cordset 12-3 x 40 ft 5-15p NOTE 1
24#	70175A-FR	1	Tag-Warning Eng-Frn

= Revised or new since last update

NOTE 1: Cord 40919A has been replaced by 40540A and 40931A.

ELECTRICAL SCHEMATIC



Clarke[®]
American Sanders[®]

14600 21st Avenue North
Plymouth, MN 55447-3408

www.clarkeus.com

Phone: 800-253-0367

Fax: 800-825-2753

©2014 Nilfisk-Advance, Inc.