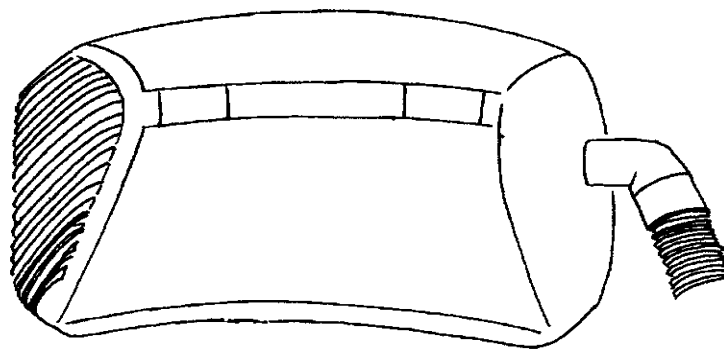


UZ 964

Ergoclean, The HipVac™



**INSTRUCTIONS FOR USE
MODE D'EMPLOI
INSTRUCCIONES DE USO**

WARNING

HEPA filter must be installed while working with hazardous materials. Failure to do so will expose people in the work area and others to hazardous materials which is a serious health risk.

EMPTYING

If this vacuum cleaner is used to collect hazardous material, do not attempt to open or empty its contents without personal protective clothing and respiratory protection

AVISO

El filtro HEPA debe ser instalado cuando trabaje con materiales peligrosos. De no hacerlo así expondrá a las personas dentro de su zona de trabajo y a otras ajenas a él a estos materiales peligrosos, lo cual constituye una grave amenaza para la salud.

VACIADO

Si se utiliza la aspiradora para recoger materiales peligrosos, no intente abrirla o vaciar su contenido sin la adecuada indumentaria protectora y la protección respiratoria.

ATTENTION

Le filtre Hepa Doit être en place quand on travaille avec des substances dangereuses. Si l'on n'utilise pas le filtre, les personnes se trouvant sur le lieu de travail ou à proximité sont exposées aux substances dangereuses et donc à de graves risques de santé.

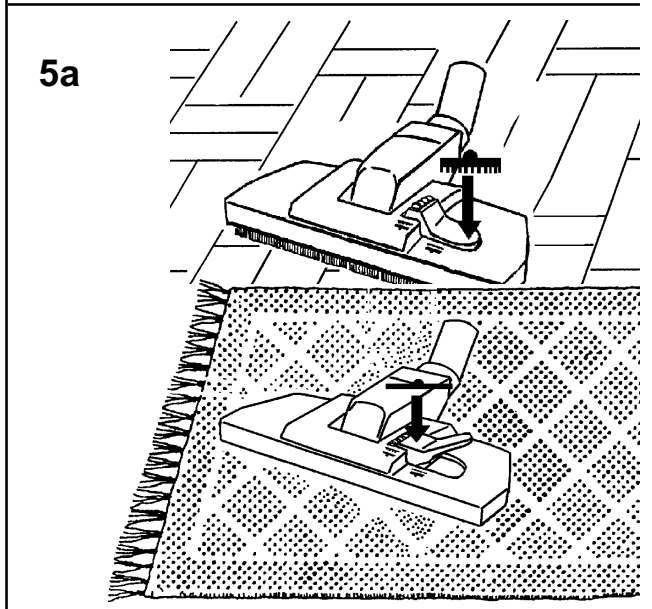
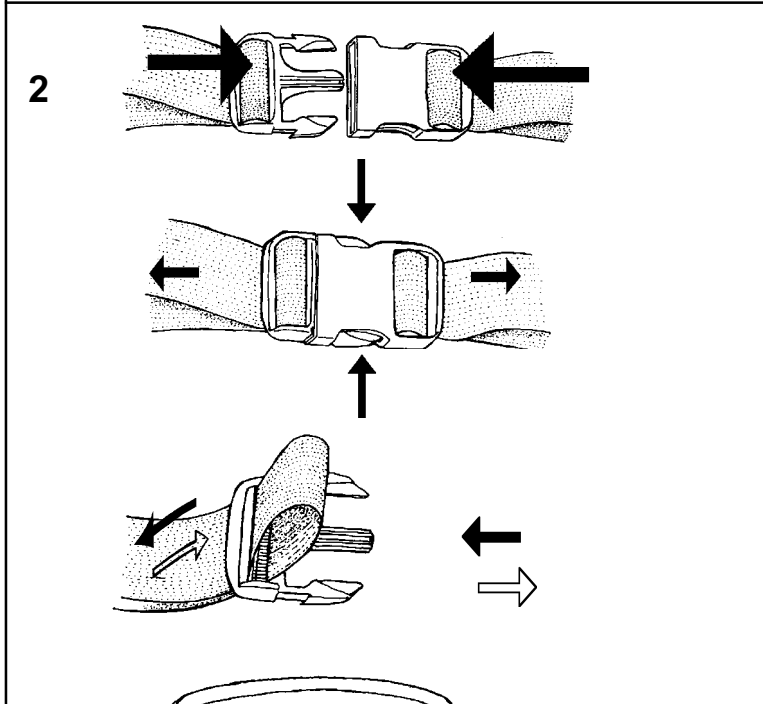
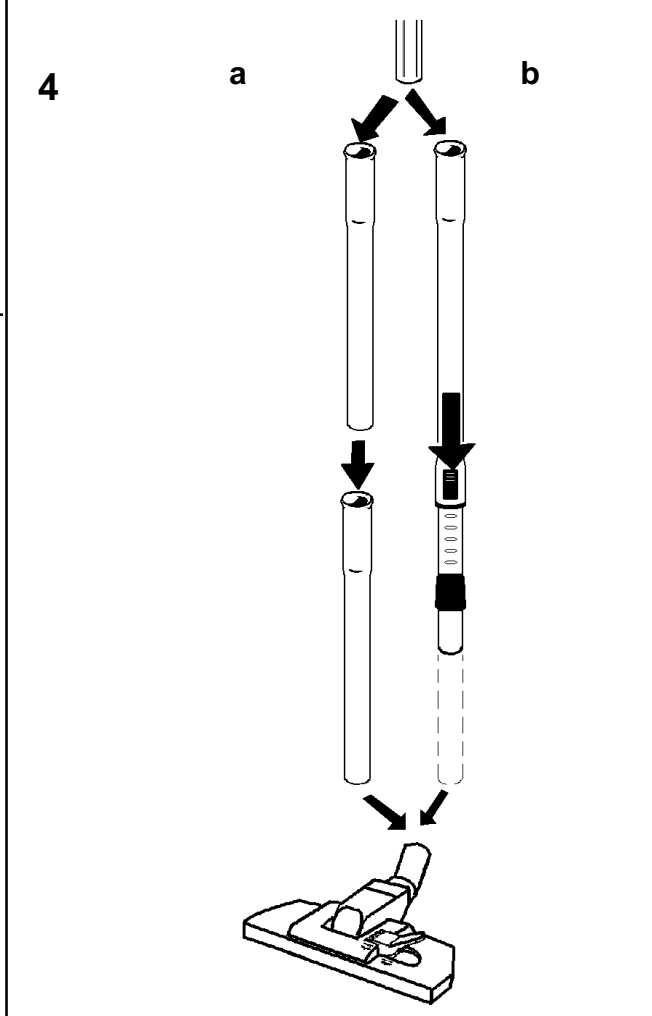
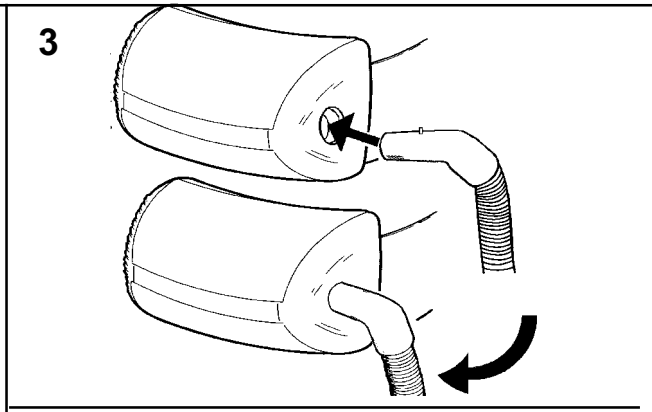
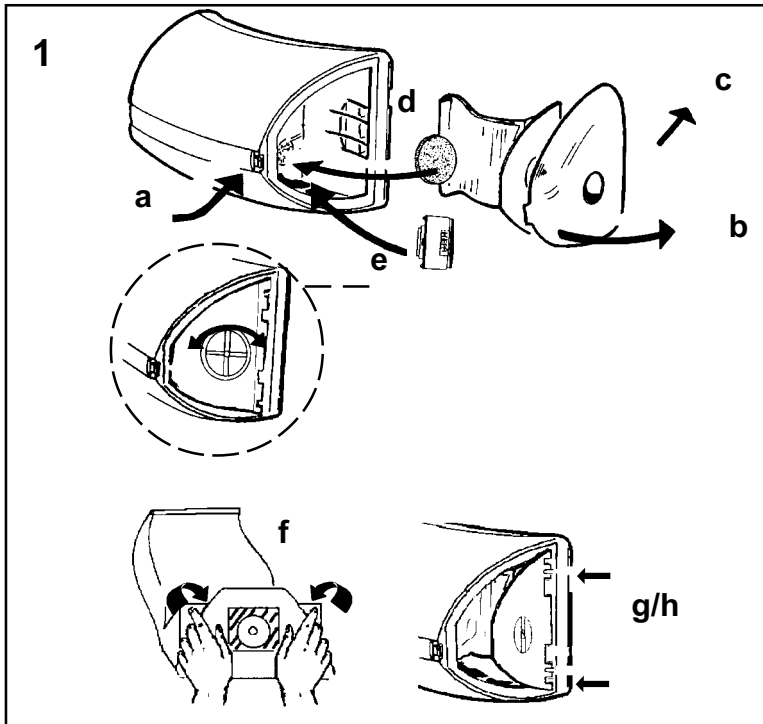
VIDAGE

Si cet aspirateur est utilisé pour ramasser des substances dangereuses, ne jamais tenter de l'ouvrir ou de le vider sans porter des vêtements protecteurs et une protection des voies respiratoires.

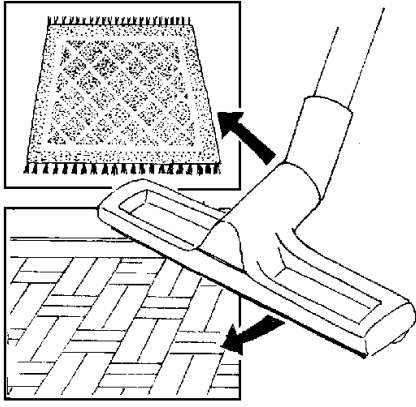
INSTRUCTIONS FOR USE_____ (2) 6-8

INSTRUCCIONES DE USO_____ (2) 9-11

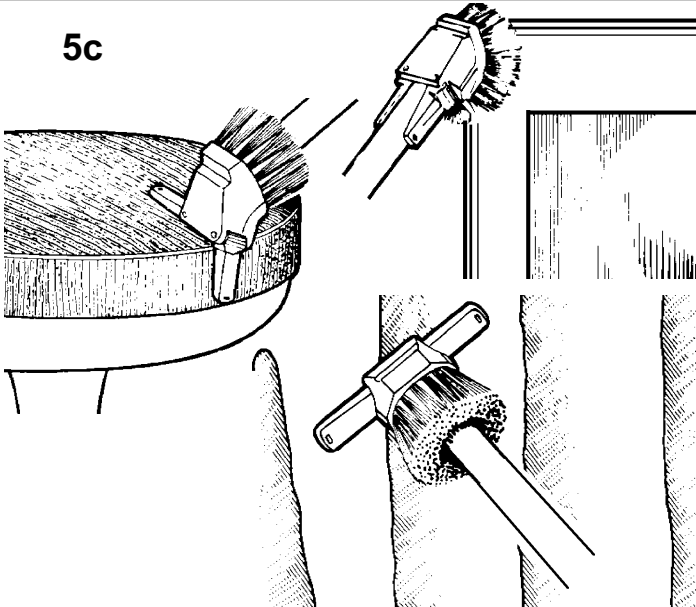
MODE D'EMPLOI_____ (2) 12-14



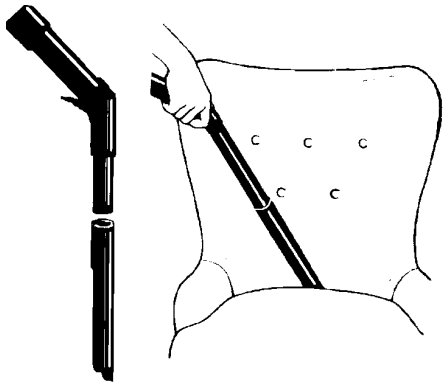
5b



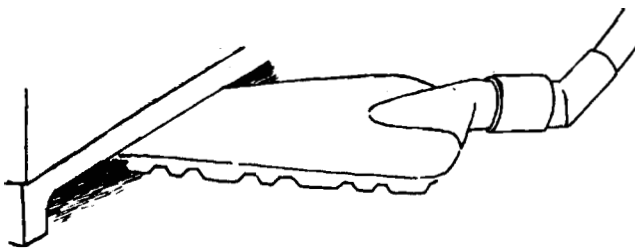
5c



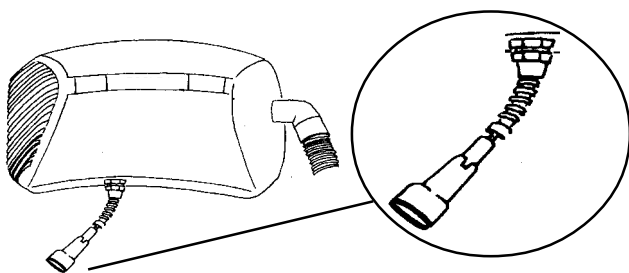
5d



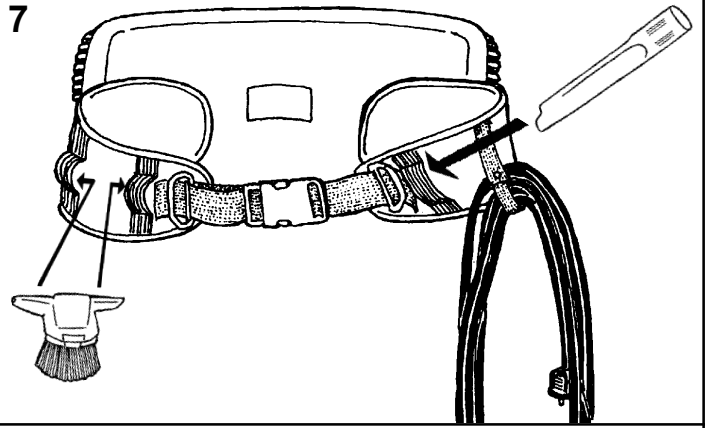
5e



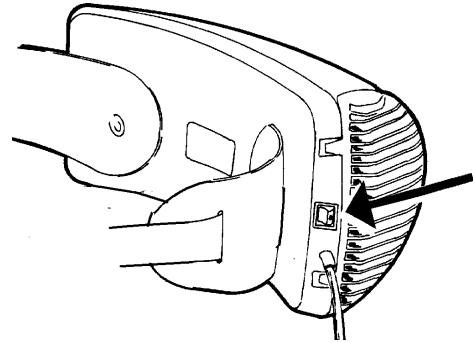
6



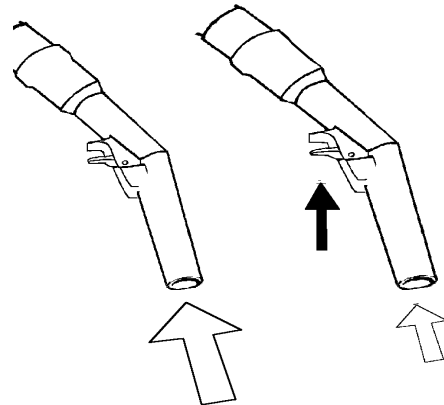
7



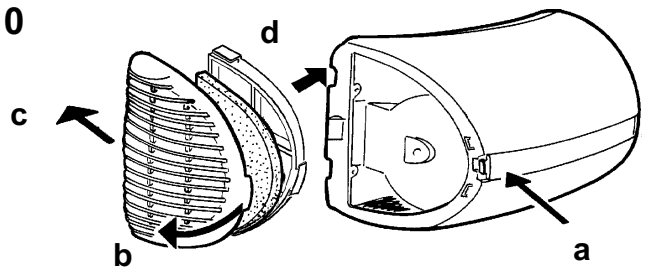
8



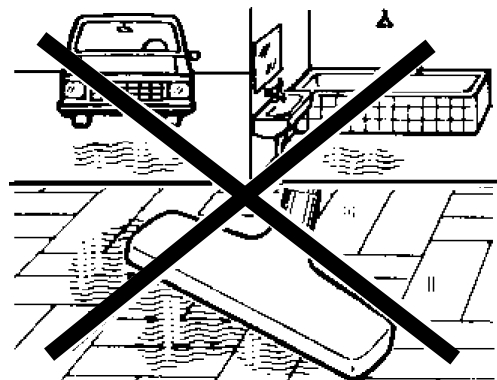
9



10



11



IMPORTANT SAFEGUARDS

When using an electrical appliance basic precautions should always be followed, including the following.

READ AND FOLLOW ALL SAFETY INSTRUCTIONS BEFORE USING (THIS APPLIANCE)

WARNING !

To reduce the risk of fire, electric shock, or injury. Please read and follow all safety instructions and caution markings before using.

This vacuum cleaner is designed to be safe when used to perform cleaning functions as specified. Should damage occur to electrical or mechanical parts, cleaner and / or accessory should be repaired by manufacturer or competent service station before using in order to avoid further damage to machine or physical injury to user.

- * For grounded versions: Connect to a properly grounded outlet only, see grounding instructions.
- * Do not use outdoors or on wet surfaces.
- * Disconnect cleaner before servicing and when not in use. Do not leave unattended cleaner plugged in.
- * Do not use with damaged cord or plug. To unplug grasp the plug, not the cord. Do not handle plug or cleaner with wet hands. Turn off all controls before unplugging.
- * Do not pull or carry by cord, use cord as a handle, close a door on cord, or pull cord around sharp edges or corners. Do not run cleaner over cord. Keep cord away from heated surfaces.
- * Keep hair, loose clothing, fingers and all parts of the body away from openings and moving parts. Do not put any objects into openings or use with opening blocked. Keep openings free of dust, lint, hair, and anything else that could reduce air flow.
- * Do not pick up anything that is burning or smoking, such as cigarettes, matches, or hot ashes.
- * Do not use to pick up flammable or combustible liquids such as gasoline or use in areas where they may be present.
- * Do not allow to be used as a toy. Close attention is necessary when used by or near children.

- * Do not use unless filters and bag are in place.
- * If cleaner is not working properly or has been dropped, damaged, left outdoors, or dropped into water, return it to a service center or dealer.
- * Hepa filter must be installed while working with hazardous materials.
- * All contact with the machine, dustbag, filter and all other accessories used when picking-up hazardous materials should be handled according to the regulations valid for the vacuumed material.
- * Use only as described in this manual and only with manufacturer's recommended attachments.
- * The use of this machine in conjunction with the pick-up of hazardous materials has not been investigated by UL.

GENERAL INFORMATION

This vacuum cleaner can be used for household or commercial use.

BEFORE YOU PLUG IN YOUR CLEANER, check the rating plate located on the cleaners back side to see if the rated voltage agrees within 10% of the voltage available.

DO NOT OIL The motor in your new cleaner is permanently lubricated and sealed. Do not oil the motor at any time.

During shipping, the dust bag may have become dislodged. Check the bag to insure proper seating before attempting to use the cleaner. Do not operate the cleaner without the dust bag as damage may result to the motor.

This vacuum cleaner is equipped with a thermo protection switch to prevent overheating of components. Should this safety switch shut the system down it is necessary to wait at least 5 -10 minutes for it to automatically reset. Remove clogged elements in hose and replace dust bag if necessary during this period. Check also filter if it is clogged.

For longer service life and safe use of your vacuum cleaner, we recommend the following guidelines: Your cleaner is designed to pick up dirt and dust particles. **It is not designed for water pick up.** Avoid picking up hard or sharp objects with your cleaner to avoid bag breakage, clogging or possible motor damage.

SAVE THESE INSTRUCTIONS

Grounding instructions (USA, Canada)

Applicable to machines with a three-pin plug

This appliance must be grounded. If it should malfunction or breakdown, grounding provides a path of least resistance for electric current to reduce the risk of electric shock. This appliance is equipped with a cord having an equipment-grounding conductor and grounding plug. The plug must be plugged into an appropriate outlet that is properly installed and grounded in accordance with all local codes and ordinances.

DANGER!

Improper connection of an equipment-grounding conductor can result in risk of electric shock. Check with qualified electrician or service person if you are in doubt as to whether the outlet is properly grounded. Do not modify the plug provided with the appliance. If it will not fit the outlet, have proper outlet installed by a qualified technician.

This appliance is for use on a nominal 120 volt circuit and has a grounding plug that looks like the plug illustrated in Figure A. A temporary adaptor which looks like the adaptor illustrated in Figure B may be used to connect this plug to a two-pole receptacle, as shown, if a properly grounded outlet is not available. The temporary adaptor should be used only until a properly grounded outlet, Figure A, can be installed by a qualified electrician. The green colored rigid ear, lug, or the like extending from the adaptor must be connected to a permanent ground such as a properly grounded outlet box cover. Whenever the adaptor is used, it must be held in place by a metal screw.

NOTE! This temporary adaptor is not permitted in Canada

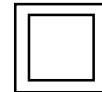
Servicing of double-insulated appliances

Applicable to machines with a two-pin plug

In a double-insulated appliance, two systems of insulation are provided instead of grounding. No grounding means is provided on a double-insulated appliance, nor should a means for grounding be added to the appliance. Servicing a double-insulated appliance requires extreme care and knowledge of the system, and should be done only by qualified service personnel. Replacement parts for a double-insulated appliance must be identical to the parts they replace. A double insulated appliance is marked with the words

**"DOUBLE INSULATION" or
"DOUBLE INSULATED."**

The symbol (square within a square) may also be used on the product.



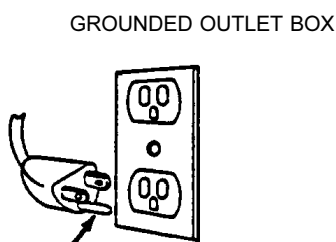
SERVICE INFORMATION

To obtain consistent performance over the life of your vacuum, read through these instructions and keep them handy for future reference. If you require service, contact the dealer from whom the vacuum was purchased, or the local authorized Service Station. Always refer to your Service Station for complete service information. For prompt and complete service information, always refer to the model, type and serial number indicated on the rating plate.

IMPORTANT

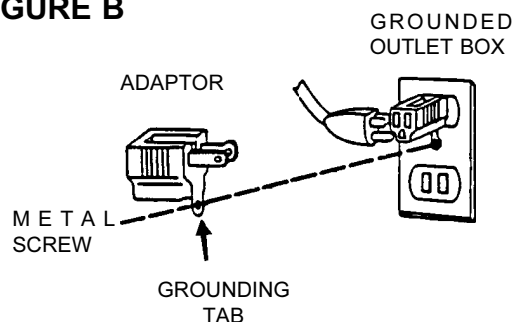
If the supply cord of this appliance is damaged, it must be replaced by a repair shop appointed by the manufacturer as special purpose tools are required.

FIGURE A



GROUNDING BLADE IS LONGEST OF THE THREE BLADES

FIGURE B



1. Dust bag installation

- a) Open the triangular shaped dust bag cover by gently pressing one end of the locking bar to release the locking mechanism.
 - b) Grasp the cover in your hand, lifting the upper corners of the cover away from the vacuum housing.
 - c) Slide the bottom edge of the cover away so the hinges on the cover slip out of the housing.
 - d) Inside the dust bag cavity a round foam filter helps to protect the motor. Be sure this filter is in place prior to installation of the dust bag.
 - e) Always use a Hepa-filter when picking up hazardous material. Remove the standard motor filter if fitted, then fit the Hepa-filter and turn to lock it in place. Then install the dustbag.
 - f) Gently unfold the new dust bag. The upper corner of the dust bag should be slid in so they do not interfere with the cardboard plate resting securely on the housing.
 - g) Ease the dust bag into the cavity, placing the cardboard plate onto the exterior lip of the cavity, make sure that the cardboard plate is fitted behind the two small clips on the exterior lip.
- NOTE:** The triangular shaped cardboard plate must be placed evenly on the exterior housing lips in order for the dust bag cover to be properly installed.
- h) Replace the dust bag/hose inlet cover. First grasp the cover in your hand, and insert the lower cover hinges into the indentations. Be sure the dust bag cardboard plate is resting evenly on the lips of the cavity. Close the cover, and make certain it clicks into place.

2. Belt

The belt locking clip is designed to hold the "hip vac" securely around your waist while working.

To connect: Simply insert the toothed connector into the belt buckle until it snaps into place.

To disconnect the belt when work is finished, gently squeeze the outer clips together, and pull connector out of belt buckle.

To adjust the belt for individual comfort:

Larger: Hold the belt locking clip in one hand and slide the nylon belt until a loop is formed. Pull the belt locking clip to adjust the slack in the nylon belt.

Smaller: Pull the loose end of the nylon belt until adjusted to desired size.

Soft Belt

2b) Wrap the belt around your waist. Adjust it to the desired size, by fitting the two nylon parts together.

2c) Then you'll insert the toothed connector into the belt buckle until it snaps into place. To disconnect the belt when work is finished, gently squeeze the outer clips together, and pull connector out of belt buckle.

3. Hose connection

Fit the hook on the hose adapter in the recess in the hose opening on the machine. Press and turn about one half-turn to ensure a secure fit.

4. Wand assembly

- a) To connect the wand sections together, simply insert one section into the other, giving the two assembled sections a firm push.
- b) Adjust the length of the telescopic wand by pressing its button and altering the wand length. When vacuuming stairs it is recommended that the wand is adjusted to its shortest length.

5. Tools

The accessories shown in the pictures may vary from model to model.

- a) **Floor nozzle**, one way for brush (hard floor) or smooth for carpet.
- b) **Universal nozzle** for both hard floors and carpets
- c) **Combi Brush / Nozzle** useful tool for the cleaning of upholstery, stair carpets, curtains etc.
- d) **Crevice Tool** designed for cleaning in narrow spaces like furniture, radiators, corners and joints.
- e) **Paddle Nozzle** designed for cleaning beneath furnitures and wide area cleaning

6. Power supply

For electrical power head. Only on some variants.

7. Accessory loops

The belt is equipped with loops to conveniently hold the vacuum's accessories. In addition, the power cord can be held in place on the belt by snapping the nylon loop around it. Wind up the cord starting at the machine.

8. Start Stop

Convenient finger-tip on / off button

9. Suction control lever

10. Exhaust filter

The exhaust cover is easily removed for filter changes

- a) Grasp the cover in your hand.
- b) Release the locking mechanism by gently pressing down on one end of the locking bar.
- c) Ease the upper corner away from the vacuum housing.
- d) Slide the bottom edge of the cover away so the hinges on the bottom edge of the cover slip out of the housing.
- e) Remove filter holder and used filter.
- f) Install new filter and secure with the filter holder.
- g) Reinstall exhaust cover as in "**Dust Bag installation**"

11. Warning

Do not use the vacuum cleaner to pick up water. Wet surfaces can expose the operator to possible electrical shock.

PRECAUCIONES IMPORTANTES

Los accidentes debidos al mal uso, sólo pueden ser prevenidos por aquellos que estén utilizando la máquina. Lea y siga todas las instrucciones de seguridad antes de usar (este aparato)

ADVERTENCIA!

Para reducir el riesgo de incendio, choque eléctrico o lesión, por favor lea y siga todas las instrucciones de seguridad y señales de precaución antes de usar.

Esta aspiradora está diseñada para ser segura cuando es utilizada para funciones de limpieza tal como se especifican. En caso de que las partes eléctricas o mecánicas se dañen, la aspiradora y/o los accesorios deben ser reparados por el fabricante o centro de servicios competente antes de usarse, para evitar daños adicionales a la máquina o lesión física al usuario.

- * No la utilice al aire libre o en superficies húmedas.
- * Desconecte la aspiradora antes de efectuar mantenimiento o cuando no esté en uso. No deje una aspiradora enchufada si no va a prestarle atención.
- * No la utilice con cable o enchufe dañados. Para desenchufar, agarre del enchufe, no del cable. No manipule el enchufe o la aspiradora con las manos húmedas. Apague todos los controles antes de desenchufar.
- * No jale del cable ni arrastre la aspiradora usando el mismo. No utilice el cable como manija. No cierre una puerta sobre el cable, ni jale del mismo contra bordes o esquinas filosos.
- * Mantenga el pelo, la ropa suelta, los dedos y demás partes del cuerpo, lejos de aperturas y partes móviles. No ponga objetos en las aperturas o utilice la aspiradora con sus aperturas obstruidas. Mantenga las aperturas libres de polvo, hilachas, pelo o cualquier otra cosa que pueda reducir el flujo de aire.
- * No recoja nada que esté quemándose o echando humo, tal como cigarrillos, cerillos o cenizas calientes.
- * No la utilice para recoger líquidos inflamables o combustibles tales como gasolina, ni la utilice en áreas donde puedan estar presentes esos combustibles.
- * No permita que sea utilizada como juguete. Una atenta vigilancia es necesaria cuando es utilizada por los niños o cerca de ellos.
- * No la utilice a menos que los filtros y la bolsa estén en su lugar.

- * Use cuidado extremo cuando se la utilice en escaleras o superficies irregulares.
- * Si la aspiradora no está funcionando correctamente, se ha caído, se ha dañado, ha sido dejada al aire libre o ha caído al agua, llévela al centro de servicios o concesionario.
- * Utilícela solamente según se describe en este manual y sólo con los accesorios recomendados por el fabricante.
- * El uso de esta máquina en la recolección de materiales de alto riesgo no ha sido investigado por UL.

INFORMACION GENERAL

Esta aspiradora puede ser utilizada en el hogar o para uso comercial.

ANTES DE ENCHUFAR LA ASPIRADORA, examine la placa de valores nominales ubicada en la parte trasera de la aspiradora para ver si el voltaje nominal está de acuerdo, dentro de un 10%, con el voltaje disponible.

NO LA ACEITE. El motor de la nueva aspiradora está permanentemente lubricado y sellado. No aceite el motor en ningún momento.

Durante el transporte, la bolsa de recoger polvo puede haberse soltado. Examine la bolsa para asegurar que esté correctamente fijada antes de intentar usar la aspiradora. No opere la aspiradora sin la bolsa ya que puede causarle daño al motor.

Esta aspiradora está equipada con un interruptor de protección térmico para evitar el sobrecalentamiento de componentes. En caso de que este interruptor de seguridad apague el sistema, es necesario esperar al menos 5-10 minutos para que se reponga automáticamente. Quite los elementos atascados en la manguera y reemplace la bolsa durante este período si es necesario. Verifique también si el filtro está obstruido.

Para obtener una mayor vida útil y utilizar la aspiradora de manera segura, recomendamos seguir las siguientes pautas: la aspiradora está diseñada para recoger suciedad y partículas de polvo. **No está diseñada para recoger agua.** Evite recoger objetos duros o filosos con su aspiradora para evitar la rotura de la bolsa, el atascamiento o el posible daño del motor.

GUARDE ESTAS INSTRUCCIONES

Instrucciones para Puesta a Tierra / Doble Aislación

Instrucciones para Puesta a Tierra para máquinas con enchufe de tres patas. (USA-Canada)

Este artefacto debe ser puesto a tierra. Si llegase a funcionar mal o a averiarse, la puesta a tierra proporciona un camino de resistencia mínima a la corriente eléctrica para reducir el riesgo de choque eléctrico. Este artefacto está equipado con un cable que posee un conductor del equipo a tierra y una pata a tierra en el enchufe. El enchufe debe ser conectado en un tomacorriente apropiado que esté correctamente instalado y puesto a tierra de acuerdo con los códigos y ordenanzas locales.

PELIGRO!

La conexión inapropiada del conductor de equipo a tierra puede resultar en riesgo de choque eléctrico. Consulte con un electricista calificado o personal de servicio si tiene dudas sobre la correcta puesta a tierra del tomacorriente. No modifique el enchufe provisto con el artefacto. Si no encaja en el tomacorriente, haga instalar el tomacorriente apropiado por un técnico calificado.

Este artefacto es para uso en un circuito de 120 volts nominales y posee un enchufe con bajada a tierra que se asemeja al ilustrado en la Figura A. Un adaptador provisorio, que se asemeja al ilustrado en la Figura B, puede ser usado para conectar este enchufe a un receptáculo de dos polos, como se muestra, si no hay disponible un tomacorriente con bajada a tierra. El adaptador provisorio debe ser usado solo hasta que un tomacorriente con bajada a tierra pueda ser instalado por un electricista calificado. La orejeta o lengüeta rígida, de color verde, que se extiende del adaptador, debe ser conectada a una bajada a tierra permanente tal como la cubierta de la caja de un tomacorriente con bajada a tierra. Cuando quiera que el adaptador sea utilizado, debe ser fijado en su lugar por un tornillo metálico.

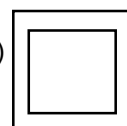
NOTESE! Este adaptador provisorio no está permitido en Canadá.

Servicio de artefactos de doble aislación para máquinas con enchufe de dos patas. En un artefacto de doble aislación, se proveen dos sistemas de aislación en reemplazo de la puesta a tierra. No se proveen medios de puesta a tierra en un artefacto de doble aislación, ni debe serle agregado un medio de puesta a tierra al artefacto. El servicio de un artefacto de doble aislación requiere extremo cuidado y debe ser realizado solamente por personal de servicio calificado. Las partes de reemplazo para un artefacto de doble aislación deben ser idénticas a las partes que reemplazan. Un artefacto de doble aislación está marcado con las palabras

"DOUBLE INSULATION" o

"DOUBLE INSULATED" (doble aislación)

El símbolo (cuadrado dentro de un cuadrado) puede también ser usado en el producto.



INFORMACION SOBRE EL SERVICIO

Para obtener un rendimiento consistente a lo largo de la vida de la aspiradora, lea estas instrucciones y manténgalas a mano para referencia futura. Si usted requiere servicio, diríjase al concesionario donde compró la aspiradora, o al servicio autorizado local. Refiérase siempre a su centro de servicio local para obtener información completa sobre el servicio. Para una pronta y completa información sobre el servicio, refiérase siempre al modelo, tipo y número de serie indicados en la placa de valores nominales.

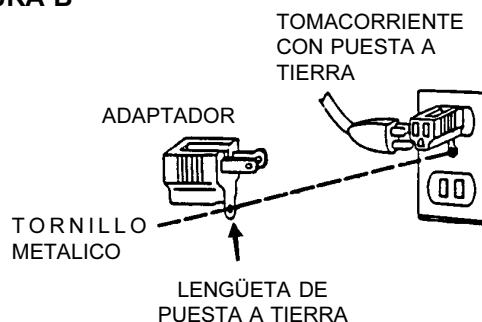
IMPORTANTE

Este aparato va equipado con un tipo especial de cable que si se estropea, tiene que ser sustituido por otro del mismo tipo. Estos cables pueden obtenerse en centros de servicio autorizado y ha de ser montados por persona competente.

FIGURA A



FIGURA B



1. Instalación de la bolsa de recoger polvo

- a) Abra la tapa triangular de la bolsa, presionando suavemente un extremo de la barra de fijación para liberar el mecanismo de traba.
 - b) Tome la tapa en su mano, levantando la esquina superior, alejándola del bastidor de la aspiradora.
 - c) Corra el borde inferior de la tapa, alejándolo, de manera que las bisagras de la tapa se deslicen fuera del bastidor de la aspiradora.
 - d) Dentro de la cavidad de la bolsa, un filtro de espuma cuadrado ayuda a proteger el motor. Asegúrese que este filtro esté en su lugar antes de instalar la bolsa.
 - e) Utilice siempre un filtro Hepa cuando recoja materiales peligrosos. Saque el filtro de motor estándar en caso de que esté instalado, coloque luego el filtro Hepa y gírelo para trazarlo en su lugar. A continuación instale la bolsa de recoger el polvo.
 - f) Suavemente desenvuelva la bolsa nueva. La esquina superior de la bolsa deberá ser doblada hacia adentro de manera que no interfiera con la placa de cartón para que se apoye firmemente en el bastidor de la aspiradora.
 - g) Introduzca con cuidado la bolsa en la cavidad, colocando la placa de cartón sobre el labio externo de la cavidad. Asegúrese de que la placa de cartón calce detrás de dos pequeños broches en el labio exterior.
- NOTA:** la placa de cartón triangular debe ser colocada en forma pareja sobre los labios externos del bastidor, para que la tapa de la bolsa pueda ser instalada apropiadamente.
- g) Reemplace la tapa de la bolsa y entrada de la manguera. Primero tome la tapa con su mano e inserte las bisagras inferiores de la tapa en las hendiduras. Asegúrese de que la placa de cartón de la bolsa se apoye en forma pareja en los labios de la cavidad. Cierre la tapa, y asegúrese de que se enganche en posición.

2. Broche del cinturón

El broche del cinturón está diseñado para sostener con seguridad la aspiradora alrededor de su cintura mientras trabaja.

Simplemente inserte el conector dentado dentro de la hebilla del cinturón hasta que enganche en posición.

Para desconectar el cinturón, una vez finalizado el trabajo, apriete suavemente una hacia la otra las trabas externas, y saque el conector de la hebilla del cinturón.

Ajuste del cinturón

Para ajustar el cinturón a su comodidad particular:

Más grande: sostenga el broche del cinturón en una mano y deslice el cinturón de nilón hasta formar un lazo. Tire del broche hasta hacer desaparecer el lazo.

Más pequeño: tire del extremo suelto del cinturón de nilón hasta ajustar al tamaño deseado.

3. Conexión de la manguera

Calce los ganchos de la boca de la manguera en las escotaduras que la máquina tiene para calzar la manguera. Presione y gire una media vuelta para fijar la manguera.

4. Ensamble de las varas

- a) Para conectar una con otra las secciones de vara, simplemente inserte una sección dentro de la otra, dando a ambas secciones ensambladas un empujón firme.
- b) Tubo telescópico Este tubo es regulable. Adaptar la longitud del tubo de forma que se acomode a su manera de trabajar.

5. Accesorios

Los accesorios mostrados en las figuras pueden variar de modelo a modelo.

- a) Activador para cambiar la función de la boquilla mientras limpia hacia un lado, para cepillo (piso duro) o suave, para alfombra.
- b) Boquilla universal para pisos duros y alfombras
- c) Combinación cepillo / boquilla
- d) Accesorio para recovecos

6. Enganches para accesorios

El cinturón está equipado con enganches para sostener convenientemente los accesorios de la aspiradora. Adicionalmente puede sostenerse el cable de alimentación en el cinturón, enganchando alrededor de él, el lazo de nilón.

7. Encendido Apagado

Conveniente botón de encendido y apagado al alcance de los dedos.

8.

9. Palanca deslizante para el control de succión

10. Tapa del escape

La tapa del escape es removida fácilmente para los cambios de filtro

- a) Tome la tapa en su mano.
- b) Libere el mecanismo de traba, presionando suavemente hacia abajo sobre un extremo de la barra de fijación.
- c) Separe suavemente la esquina superior, alejándola del bastidor de la aspiradora.
- d) Corra el borde inferior de la tapa, alejándolo, de manera que las bisagras de la tapa se deslicen fuera del bastidor.
- e) Quite el soporte de filtro y el filtro usado.
- f) Instale el filtro nuevo y asegúrelo con el soporte de filtro.
- g) Instale nuevamente la tapa del escape tal como se explica en la sección "Instalación de la bolsa de recoger polvo" (g).

11. Advertencia

No utilice la aspiradora para recoger agua. Las superficies mojadas pueden exponer al operador a un posible choque eléctrico. Tiene otras aspiradoras específicamente diseñadas para la extracción en húmedo y en seco.

IMPORTANTES MESURES DE SÉCURITÉ

L'utilisation d'un appareil électrique demande certaines précautions:

LIRETOUTES LES INSTRUCTIONS AVANT DE FAIRE FONCTIONNER(CET APPAREIL)

AVERTISSEMENT !

Pour réduire les risques d'incendie, de choc électrique ou de blessure. Ne pas utiliser à l'extérieur et ne pas aspirer de matières humides.

Cet aspirateur peut être utilisé en toute sécurité si l'on suit les instructions données. En cas de dommage aux composants électriques ou mécaniques, l'appareil et/ou les accessoires doivent être réparés par le fabricant ou par un réparateur compétent avant tout nouvel usage, afin d'éviter de détériorer l'appareil ou de blesser l'utilisateur.

- * Ne brancher qu'à une prise de courant avec mise à la terre. Voir les instructions visant la mise à la terre.
- * Ne pas utiliser à l'extérieur et ne pas aspirer de matières humides.
- * Ne pas laisser l'appareil sans surveillance lorsqu'il est branché. Débrancher lorsque l'appareil n'est pas utilisé et avant l'entretien.
- * Ne pas utiliser si le cordon ou la fiche est endommagé. Retourner l'appareil à un atelier de réparation s'il ne fonctionne pas bien, s'il est tombé ou s'il a été endommagé oublié à l'extérieur ou immergé.
- * Ne pas tirer soulever ou traîner l'appareil par le cordon. Ne pas utiliser le cordon comme une poignée le coincer dans l'embrasure d'une porte ou l'appuyer contre des arêtes vives ou des coins. Ne pas faire rouler l'appareil sur le cordon. Garder le cordon à l'écart des surfaces chaudes.
- * Ne pas débrancher en tirant sur le cordon. Tirer plutôt la fiche.
- * Ne pas toucher la fiche ou l'appareil lorsque vos mains sont humides.
- * Maintenir les cheveux, les vêtements amples les doigts et toutes les parties du corps à l'écart des ouvertures et des pièces mobiles.
- * N'insérer aucun objet dans les ouvertures. Ne pas utiliser l'appareil lorsqu'une ouverture est bloquée. S'assurer que de la poussière, de la peluche, des cheveux ou d'autres matières ne réduisent pas la débit d'air.
- * Ne pas aspirer de matières en combustion ou qui dégagent de la fumée, comme des cigarettes, des allumettes ou des cendres chaudes.
- * **Attention!** Ne jamais aspirer des matières toxiques sans filtre Hepa.

- * Pour manier l'appareil, le sac à poussières, le filtre et tous les accessoires après l'aspiration de substances dangereuses, procéder conformément aux dispositions de la loi en vigueur prévues pour les substances aspirées.
- * Ne pas aspirer des liquides inflammables ou combustibles, comme de l'essence, et ne pas faire fonctionner dans des endroits où peuvent se trouver de tels liquides.
- * Ne pas permettre aux enfants de jouer avec l'appareil. Une attention particulière est nécessaire lorsque l'appareil est utilisé par des enfants ou à proximité de ces derniers.
- * N'utiliser que conformément à cette notice avec les accessoires recommandés par le fabricant.
- * Ne pas utiliser l'appareil si le sac à poussière ou le filtre n'est pas en place.
- * Mettre toutes les commandes à la position avant de débrancher l'appareil.
- * User de prudence lors de nettoyage des escaliers.
- * L'usage de cet appareil pour le ramassage de matières dangereuses n'a pas été testé par Underwriters laboratories Inc.
- * Toujours mettre l'interrupteur de l'appareil à la position ARRÊT avant de brancher ou de débrancher la brosse à moteur.

Généralités

Cet aspirateur est à usage domestique ou commercial.

AVANT DE BRANCHER L'ASPIRATEUR AU

RÉSEAU, consultez la plaque signalétique derrière l'appareil pour vous assurer que son voltage correspond dans une limite de 10% au voltage disponible.

NE PAS GRAISSER. Le moteur est graissé à vie et entièrement étanche. Ne jamais graisser celui-ci.

Lors du transport, le sac à poussière peut s'être détaché. En vérifier la position avant usage. Ne pas utiliser l'aspirateur sans son sac, au risque d'endommager le moteur.

Cet aspirateur est muni d'un rupteur thermique pour protéger les composants contre la surchauffe. Si ce rupteur thermique arrête l'aspirateur, attendre de 5 à 10 minutes et l'aspirateur se remet automatiquement en marche. Pendant ce temps vérifier le flexible, le sac et le filtre. Déboucher éventuellement le flexible, remplacer le sac s'il est plein ou remplacer le filtre s'il est colmaté.

Pour une durée de vie prolongée et une sécurité garantie, nous recommandons les précautions suivantes: l'aspirateur est fait pour ramasser la poussière, **et non pas pour étancher l'eau.** Éviter des objets durs et coupants pour ne pas abîmer le sac, boucher l'appareil ou détériorer le moteur.

CONSERVER CES INSTRUCTIONS

INSTRUCTIONS VISANT LA MISE À LA TERRE ENTRETIEN DES APPAREILS À DOUBLE ISOLATION

INSTRUCTIONS VISANT LA MISE À LA TERRE (USA/Canada)

Pour les machines avec une fiche avec trois conducteurs.

Cet appareil doit être mis à la terre. En cas de défaillance ou de panne éventuelles, la mise à la terre fournit au courant un chemin de moindre résistance qui réduit le risque de choc électrique. Cet appareil est pourvu d'un cordon muni d'un conducteur de terre et d'une fiche avec broche de terre. La fiche doit être branchée dans une prise appropriée correctement installée et mise à la terre conformément aux règlements et ordonnances municipaux.

AVERTISSEMENT.

Un conducteur de terre mal raccordé peut entraîner un risque de choc électrique. Consulter un électricien ou un technicien d'entretien qualifié si vous n'êtes pas certain que la prise est correctement mise à la terre. Ne pas modifier la fiche fournie avec l'appareil - si elle ne peut être insérée dans la prise, faire installer une prise adéquate par un électricien qualifié.

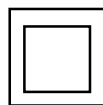
Cet appareil est destiné à un circuit de 120 V et est muni d'une fiche de terre semblable à celle illustrée par le croquis A de la figure. Un adaptateur temporaire semblable à celui illustré par les croquis B peut être utilisé pour brancher cette fiche à une prise bipolaire comme l'illustre le croquis B si une prise avec mise à la terre n'est pas disponible. L'adaptateur temporaire devrait être utilisé seulement jusqu'à ce qu'une prise avec mise à la terre soit installée par un électricien qualifié. L'oreille rigide ou le crochet ou autre dispositif semblable, de couleur vert, prolongeant l'adaptateur doit être raccordé à un élément correctement mis à la terre comme le couvercle d'une boîte de sortie mise à la terre. L'adaptateur doit être fixé par une vis métallique.

Note. Au Canada, l'utilisation d'un adaptateur temporaire n'est pas autorisée par le Code canadien de l'électricité.

ENTRETIEN DES APPAREILS À DOUBLE ISOLATION

Pour les machines avec une fiche avec deux conducteurs.

Dans un appareil à double isolation, deux isolations distinctes remplacent la mise à la terre. L'appareil n'est pourvu d'aucun dispositif de mise à la terre et un tel dispositif ne doit pas être ajouté. L'entretien d'un appareil à double isolation demande beaucoup de soins ainsi qu'une bonne connaissance du système et ne devrait être effectué que par un technicien d'entretien qualifié. Les pièces de rechange d'un appareil à double isolation doivent être identiques aux pièces originales. Un appareil à double isolation porte le marquage "DOUBLE ISOLATION". Le symbole - (carré dans un carré) peut aussi figurer sur l'appareil.

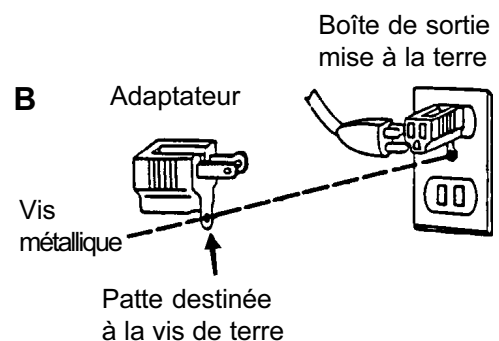
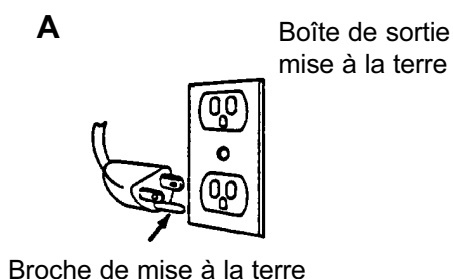


Information de service

Pour avoir le meilleur rendement de votre appareil, bien lire les instructions d'emploi et les conserver comme référence. En cas de réparation, consultez votre fournisseur ou bien le réparateur accrédité le plus proche. Toujours consulter le réparateur pour toute information relative à l'entretien. Pour avoir une information rapide et complète, indiquez le modèle, le type et le numéro de série de votre appareil (voir plaque signalétique).

IMPORTANT

Cet appareil est muni d'un câble de type spécial. En cas d'endommagement de celui-ci, il doit être remplacé par un câble de même type. Les câbles sont disponibles dans tous les centres de réparation autorisés et doivent être changés par un technicien compétent.



1. Mise en place du sac à poussière

- a) Libérer le couvercle de forme triangulaire en appuyant doucement sur la barre de blocage.
- b) Soulever le couvercle en le tirant vers soi.
- c) Retirer le couvercle en faisant glisser les charnières du couvercle hors du corps de l'aspirateur.
- d) A l'intérieur, un filtre en mousse protège le moteur. Assurez-vous que ce filtre est en place avant de mettre le sac.
- e) Utiliser toujours un filtre Hepa pour la collecte des matières dangereuses. Retirer le filtre standard du moteur, installer le filtre Hepa et le tourner pour bien le verrouiller en place. Installer ensuite le sac collecteur de poussière.
- f) Déplier délicatement le nouveau sac. Dégager ses coins en les repliant derrière.
- g) Insérer le sac et caler l'embouchure Cartonnée sur le rebord extérieur à l'aide des deux picots prévus. NOTE l'embouchure triangulaire doit être bien à plat sur les rebords de façon à ne pas gêner la fermeture du corps de l'aspirateur.
- g) Remettre le couvercle en place en tenant compte des charnières et refermer en appuyant jusqu'au "clic" signifiant le blocage de couvercle.

2. La ceinture

La ceinture assure un bon maintien de l'aspirateur pendant l'utilisation. Insérer simplement le connecteur à crochets dans la boucle. La ceinture est bien attachée lorsque vous entendez "clic".

Pour détacher la ceinture lorsque le travail est terminé, appuyer doucement sur les deux crochets du connecteur que vous sortez de la boucle en tirant.

Réglage de la ceinture

Plus grande: Tenir le connecteur dans une main et faire glisser la ceinture nylon jusqu'à former une boucle. Tirer le connecteur pour ajuster.

Plus petite: Tirer la partie libre de la ceinture nylon jusqu'à obtention de la taille désirée.

3. Raccordement du flexible

Insérer fermement l'embout du flexible dans l'embouchure de l'aspirateur et le faire tourner d'environ un demi tour pour le bloquer.

4. Assemblage des rallonges en aluminium

- a) Pour raccorder les deux parties du tube, simplement insérer une moitié dans l'autre en poussant fermement.
- b) Votre tube télescopique est livré sur sa longueur minimum, vous devez donc l'adapter à vos besoins (voir dessin). Pour l'aspiration des marches d'escalier, vous assurer que le tube est sur sa longueur minimum.5.

5. Boucles de rangement pour accessoires

Les accessoires figurant sur ces schémas peuvent varier selon les modèles d'aspirateur.

- a) Suceur combiné avec bouton de réglage. D'un côté la brosse (pour les sols durs), de l'autre, brosse désactivée (pour glisser sur la moquette).
- b) Suceur universel pour sols durs et moquettes
- c) Brosse Combinée est l'accessoire idéal, pour le nettoyage des lampes, étagères, bibliothèques et tableaux.
- d) Suceur à fente est destiné à l'aspiration de tous les endroits difficiles d'accès; radiateurs, coins, derrière les meubles.

7. Boucles de rangement pour accessoires

La ceinture est équipée de boucles très pratiques pour loger les accessoires. De plus, le câble peut également être rangé sur la ceinture grâce à la boucle spécialement conçue avec un bouton pression.

8. Marche / Arrêt

9. Languette de réglage de la puissance d'aspiration

10. Couvercle côté échappement

Ce couvercle se retire aisément pour les changements de filtre.

- a-b) Libérer le couvercle de forme triangulaire en appuyant doucement sur la barre de blocage.
- c) Soulever le couvercle en le tirant vers soi.
- d) Retirer le couvercle en faisant glisser les charnières du couvercle hors du corps de l'aspirateur.
- e) Retirer le support filtre et le filtre usagé.
- f) Installer le filtre neuf et caler avec le support filtre.
- g) Remettre le couvercle en place en tenant compte des charnières et refermer en appuyant jusqu'au "clic" signifiant le blocage du couvercle.

11. Attention!

Ne pas utiliser pour aspirer de l'eau. Les surfaces mouillées exposent l'utilisateur à une éventuelle décharge électrique.

