

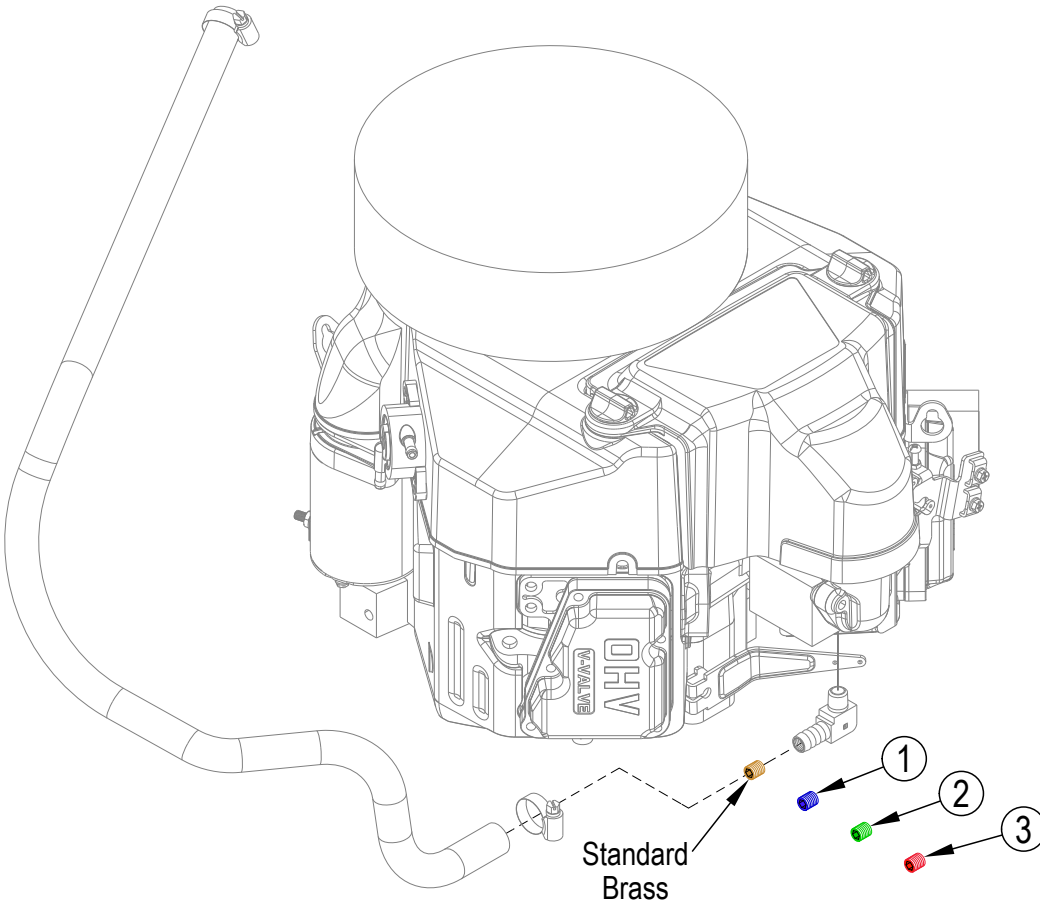
56383485 PBU HIGH ALTITUDE KIT

PBU Models: 56381404, 56381405, 56381406

CONTENTS OF KIT

Item	Ref. No.	Qty	Description
[]	56090176	1	Instruction Sheet
1	56383483	1	#25 Orifice (Blue)
2	56383484	1	#26 Orifice (Green)
3	56382684	1	#27 Orifice (Red)

[] = Not Shown



IMPORTANT TOOL REQUIRED:

3/16" Hex Wrench



High Altitude Operation

In order to ensure correct engine operation and proper exhaust emissions at altitudes above 2000 feet (610 meters) some models require a high altitude Carburetor Jet kit. The following table indicates if a kit is needed or not. The High Altitude Orifice kit, P/N 56383485 that includes all jet sizes is provided at no cost upon request.

Model	21KBCAT	21KB	21KBCATCL	27KB	27KBCL	27KBCAT
Part Number	56381402	56381404	56381454	56381405	56381406	56381407
Catalytic Convertor	Yes	No	Yes	No	No	Yes
EPA Engine Family Name	DALTS06032WC	DALTS06032MO	DALTS06032WC	DALTS06032MO	DALTS06032MO	DALTS06032WC
High Altitude Kit	No	Yes	No	Yes	Yes	No

If your model requires a high altitude kit then please select the correct colored jet from the kit depending upon the elevation of operation of the machine.

ORIFICE TABLE				
Altitude Range	0-2000 Feet 610 Meters	2000-4000 Feet 610-1220 Meters	4000-5000 Feet 1220-1524 Meters	5000+ Feet 1524+ Meters
Recommended Orifice (Jet) Diameter	#24* Ø 0.152"	#25 Ø 0.1495"	#26 Ø 0.147"	#27 Ø 0.144"
Jet Color	Brass	Blue	Green	Red

The carburetor jet must be changed every time the machine is moved and operated at a different elevation range in order to avoid engine damage and to ensure proper exhaust emissions.

*This is the standard size jet which is supplied with the machine.

INSTALLATION INSTRUCTIONS

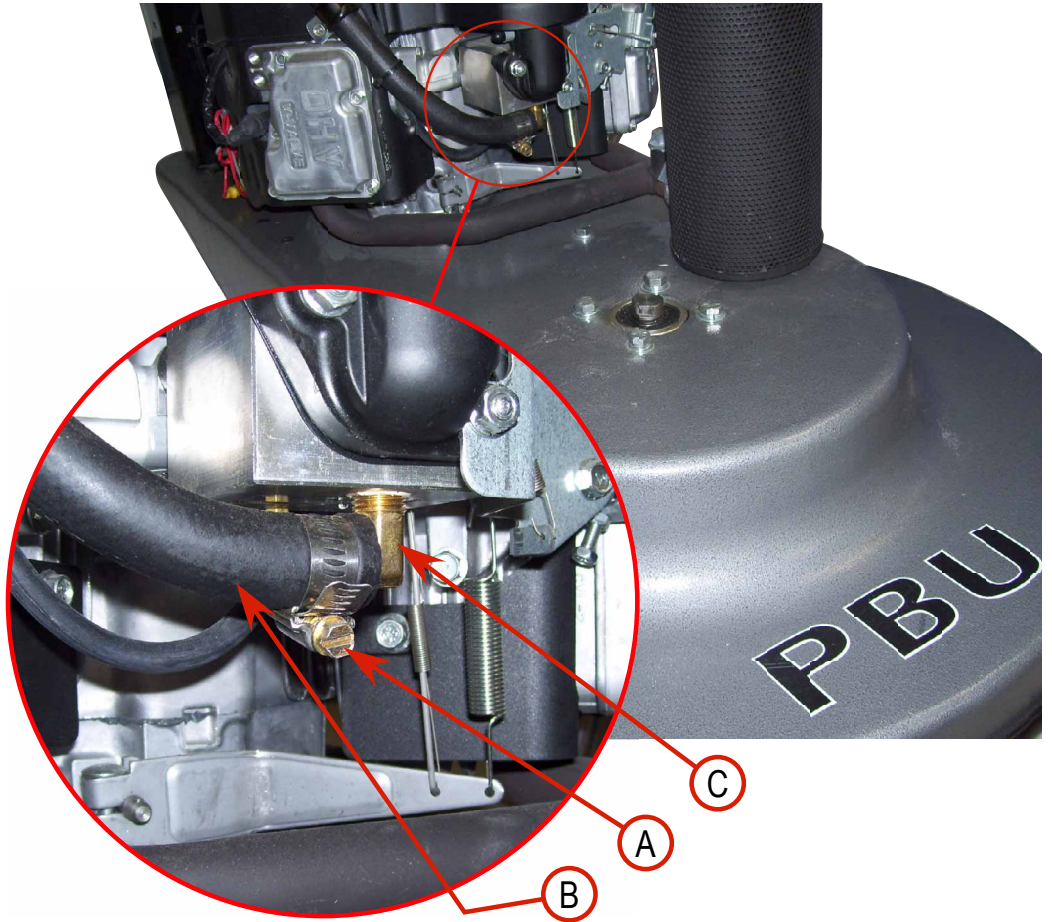
WARNING!

TURN OFF THE FUEL SUPPLY BEFORE SERVICING.

DISCONNECT FUEL SUPPLY HOSE

- 1 **SEE FIGURE 2.** Loosen Hose Clamp (A) and pull Hose (B) away from Elbow (C).
- 2 **SEE FIGURE 3.** Use a 3/16" hex wrench to remove the Orifice (D) from Elbow (C).

FIGURE 2



INSTALL NEW ORIFICE

- 3 **See ORIFICE TABLE on Page 2.** Select the orifice that's appropriate for the altitude your machine is being used at (item 1, 2 or 3).
- 4 **SEE FIGURE 3.** Install the appropriate orifice to Elbow (C). Reconnect hose and tighten hose clamp to complete installation.

NOTE: Every time the machine is moved to a different altitude the engine will need to be re-jetted. Change to the appropriate orifice (jet) for the altitude according to the table on Page 2.

FIGURE 3

