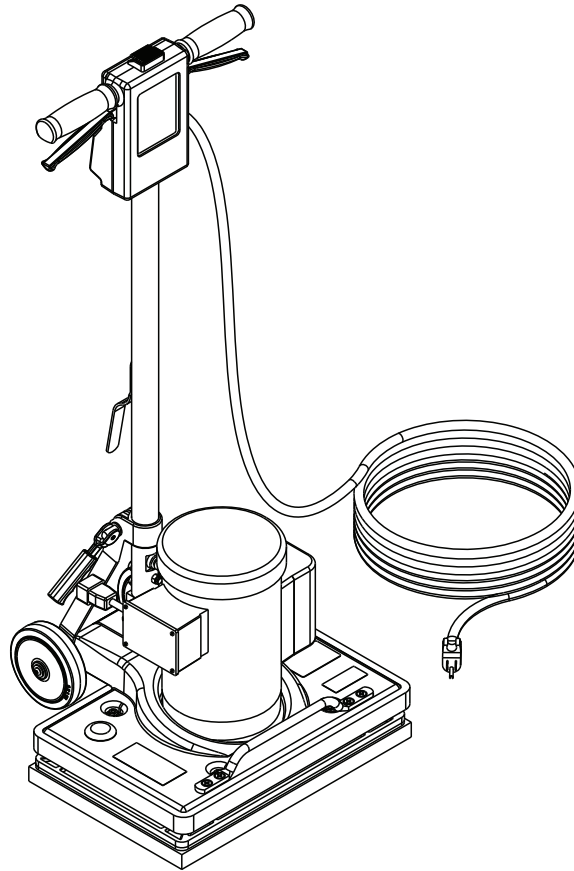


Clarke®

BOS-18 II



Instructions For Use - Original Instructions / Instrucciones de uso / Mode d' emploi
Model: 56382453



READ THIS BOOK
LEA ESTE MANUAL
LISEZ CE MANUEL

EN English (A2 - A9)
ES Español (B2 - B9)
FR Français (C2 - C9)

This book has important information for the use and safe operation of this machine. Failure to read this book prior to operating or attempting any service or maintenance procedure to your Clarke machine could result in injury to you or to other personnel; damage to the machine or to other property could occur as well. You must have training in the operation of this machine before using it. If your operator(s) cannot read this manual, have it explained fully before attempting to operate this machine.

All directions given in this book are as seen from the operator's position at the rear of the machine.

TABLE OF CONTENTS

	Page
Introduction.....	A-2
Parts and Service.....	A-2
Nameplate.....	A-2
Unpacking the Machine.....	A-2
Cautions and Warnings.....	A-3
Grounding Instructions.....	A-4
Know Your Machine.....	A-5
Transporting the Machine.....	A-6
Machine Setup.....	A-6
Operating the Machine	
Operating Instructions - Sanding.....	A-7
Operating Instructions - Scrubbing.....	A-7
Troubleshooting.....	A-8
Technical Specifications.....	A-9

INTRODUCTION

This manual will help you get the most from your **Clarke** floor machine. Read it thoroughly before operating the machine.

Note: Bold numbers in parentheses indicate an item illustrated on page A-5 unless otherwise noted.

This product is intended for commercial use only.

PARTS AND SERVICE

Repairs, when required, should be performed by your Authorized Clarke Service Center, who employs factory trained service personnel, and maintains an inventory of Clarke original replacement parts and accessories.

Call Clarke for repair parts or service. Please specify the Model and Serial Number when discussing your machine.

If your dealer is unable to assist you, please call Clarke at 800-253-0367.

MODIFICATIONS

Modifications and additions to the cleaning machine which affect capacity and safe operation shall not be performed by the customer or user without prior written approval from Nilfisk-Advance Inc. Unapproved modifications will void the machine warranty and make the customer liable for any resulting accidents.

NAMEPLATE

The Model and Serial Number of your machine are shown on the Nameplate in the battery compartment. This information is needed when ordering repair parts for the machine. Use the space below to note the Model and Serial Number of your machine for future reference.

Model _____

Serial Number _____

UNPACKING THE MACHINE

When the machine is delivered, carefully inspect the shipping packaging and the machine for damage. If damage is evident, save the shipping carton (if applicable) so that it can be inspected. Contact the Clarke Customer Service Department immediately to file a freight damage claim.

WARNING!

The Products sold with this Manual contain or may contain chemicals that are known to certain governments (such as the State of California, as identified in its Proposition 65 Regulatory Warning Law) to cause cancer, birth defects or other reproductive harm. In certain locations (including the State of California) purchasers of these Products that place them in service at an employment job site or a publicly accessible space are required by regulation to make certain notices, warnings or disclosures regarding the chemicals that are or may be contained in the Products at or about such work sites. It is the purchaser's responsibility to know the content of, and to comply with, any laws and regulations relating to the use of these Products in such environments. The Manufacturer disclaims any responsibility to advise purchasers of any specific requirements that may be applicable to the use of the Products in such environments.

CAUTIONS AND WARNINGS

SYMBOLS

Clarke uses the symbols below to signal potentially dangerous conditions. Read this information carefully and take the necessary steps to protect personnel and property.

DANGER!

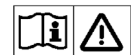
Is used to warn of immediate hazards that will cause severe personal injury or death.

WARNING!

Is used to call attention to a situation that could cause severe personal injury.

CAUTION!

Is used to call attention to a situation that could cause minor personal injury or damage to the machine or other property.



Read all instructions before using.

GENERAL SAFETY INSTRUCTIONS

Specific Cautions and Warnings are included to warn you of potential danger of machine damage or bodily harm.

DANGER!

- * Failure to read the Owner's Manual prior to operating or servicing your Clarke machine could result in injury to you or to other personnel; damage to the machine or to other property could occur as well. You must have training in the operation of this machine before using it. **If you or your operator(s) cannot read English, have this manual explained fully before attempting to operate this machine.**
- * Sanding/finishing wood floors can create an explosive or combustible environment. Do not operate this machine around solvents, thinners, alcohol, fuels, floor finishes, wood dust or any other flammable materials. Cigarette lighters, pilot lights, electrical sparks and all other sources of ignition should be extinguished or avoided. Keep work area well ventilated.
- * Dust generated from sanding wood floors can spontaneously ignite or explode. Promptly dispose of any sanding dust in a metal container clear of any combustibles. Do not dispose in a fire.
- * Electrocutation could occur if the machine is being serviced while the machine is connected to a power source. Disconnect the power supply before servicing.
- * Electrocutation or fire could occur if the machine is being operated with a damaged power cord. Keep the power cord clear of the pad. Always lift the cord over the machine. Do not move the machine by the power cord.
- * Shock hazard. Do not use the machine if it has been rained on or sprayed with water.
- * To avoid injury keep hands, feet, and loose clothing away from all moving parts on the machine. Disconnect the power cord before replacing the pad, changing the abrasive, or when servicing. Do not operate the machine unless all guards are in place. Never leave the machine unattended while connected to a power source.

WARNING!

- * Injury can occur if protective clothing or equipment is not used while sanding. Always wear safety goggles, protective clothing, and dust mask while sanding.
- * This sander is not to be used on pressure treated wood. Some pressure treated woods contain arsenic and sanding pressure treated wood produces hazardous dust. Inhaling hazardous dust from pressure treated wood can cause serious injury or death. Sanding pressure treated wood decks or uneven surfaces can damage the sander which is not covered under warranty or damage waiver.
- * Any alterations or modifications of this machine could result in damage to the machine or injury to the operator or other bystanders. Alterations or modifications not authorized by the manufacturer voids any and all warranties and liabilities.

SAVE THESE INSTRUCTIONS

120VAC GROUNDING INSTRUCTIONS

This appliance must be grounded. If it should electrically malfunction, grounding provides a path of least resistance for electric current to reduce the risk of electric shock. This appliance is equipped with a cord having an equipment-grounding conductor and grounding plug. The plug must be plugged into an appropriate outlet that is properly installed and grounded in accordance with all local codes and ordinances.

⚠ DANGER!

Improper connection of the equipment-grounding conductor can result in a risk of electric shock. Check with a qualified electrician or service person if you are in doubt as to whether the outlet is properly grounded. Do not modify the plug provided with the appliance. If it will not fit the outlet, have a proper outlet installed by a qualified electrician.

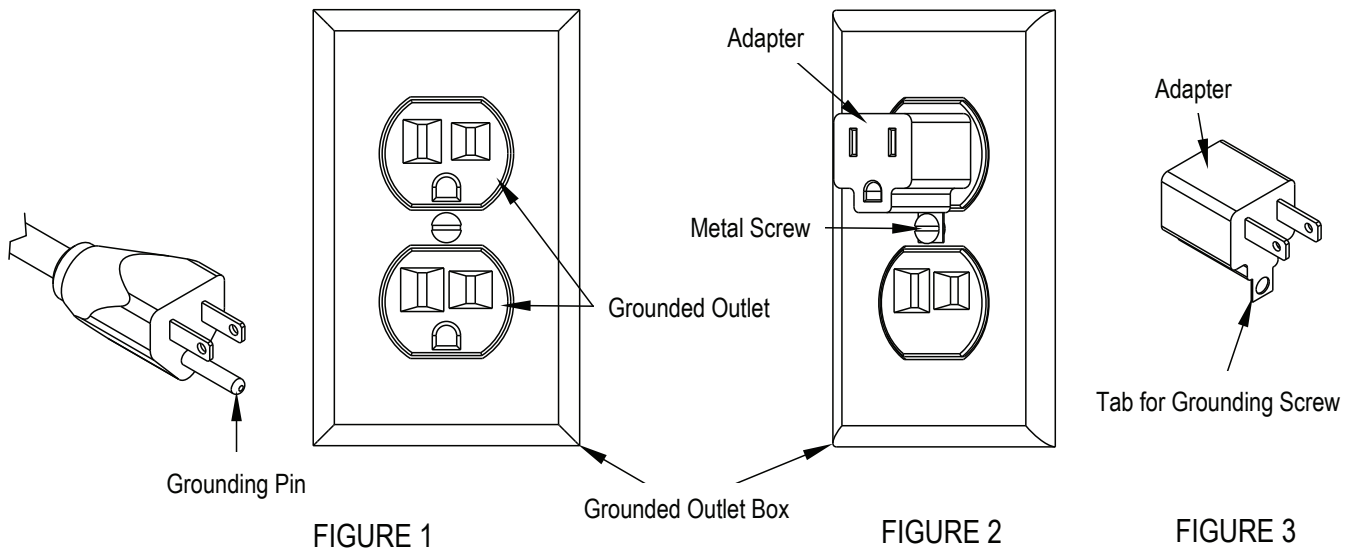
This appliance is for use on a nominal 120-volt circuit, and has a grounding plug that looks like the plug illustrated in Figure 1 below. A temporary adapter illustrated in Figures 2 and 3 may be used to connect this plug to a 2-pole receptacle as shown in Figure 2 if a properly grounded outlet is not available. The temporary adapter should be used only until a properly grounded outlet (Figure 1) can be installed by a qualified electrician. The green-colored rigid ear, tab, or the like extending from the adapter must be connected to a permanent ground such as a properly grounded outlet box cover. Whenever the adapter is used, it must be held in place by a metal screw. Grounding adapters are not approved for use in Canada.

Replace the plug if the grounding pin is damaged or broken.

The Green (or Green/Yellow) wire in the cord is the grounding wire. When replacing a plug, this wire must be attached to the grounding pin only.

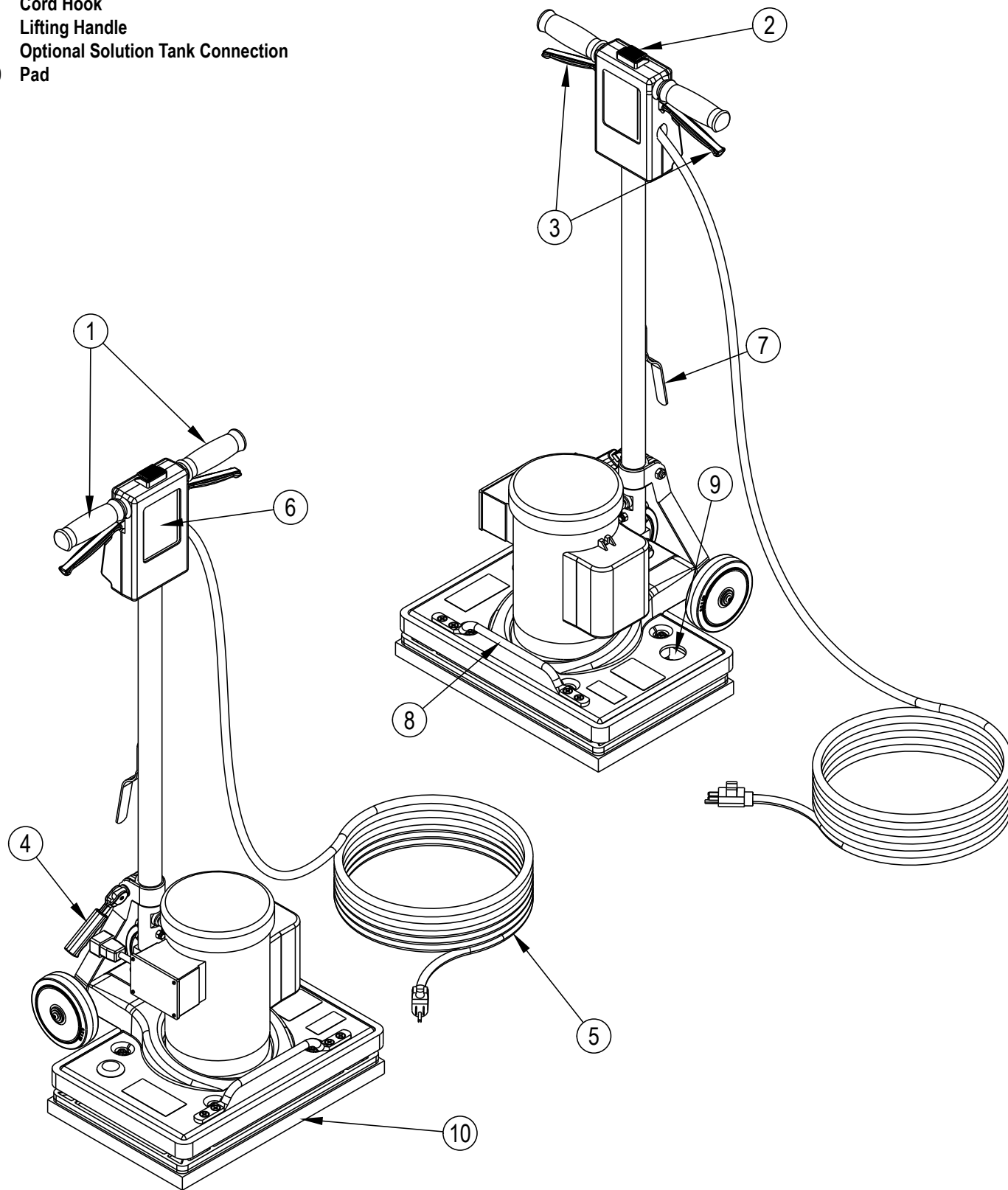
Extension cords connected to this machine should be 12 gauge, three-wire cords with three-prong plugs and outlets. DO NOT use extension cords more than 50 feet (15 m) long.

PLEASE NOTE: FOR NORTH AMERICA ONLY



KNOW YOUR MACHINE

- 1 Operator Handle Grips
- 2 Switch Lever Safety Lock Button
- 3 Switch Levers - Squeeze - ON / Release - OFF
- 4 Handle Release Compression Lever
- 5 Power Cord
- 6 Operator Handle
- 7 Cord Hook
- 8 Lifting Handle
- 9 Optional Solution Tank Connection
- 10 Pad



TRANSPORTING THE MACHINE

To transport the machine, follow this procedure:

- 1 Unplug the machine from the wall outlet and wrap the Power Cord (5) around the Cord Hook (7) and the Operator Handle Grips (1).
- 2 Raise and lock the handle in the upright position. To lock the handle, pull up on the Handle Release Compression Lever (4).
- 3 Pick the machine up by grabbing the handle tube and the Lifting Handle (8) and place in cargo area.

WARNING!

The machine is heavy (99 lbs./45 kg). To avoid injury or damage to the machine use a firm grip and proper lifting technique. Use two people, one person on each side of the machine as shown in **Figure 1**.

- 4 Secure machine to prevent movement in cargo area.

MACHINE SETUP

To prepare the machine for use follow this procedure:

- 1 Familiarize yourself with the machine. Read all danger, warning, and caution statements and the Operation and Parts Manual before operating the machine.
- 2 Install or replace the Pad (10). The pad should be replaced if it has become matted down to a thickness of 3/8" (9.5mm) or less. To install or replace the pad, follow these instructions:
 - a.) Lock the Operator Handle (6) in the upright position.
 - b.) Tilt the machine back until it fully rests on the Handle (6).
 - c.) Standing over the machine, remove existing pad then center new pad over grip face.
 - d.) Press Pad (10) against grip face until the hooks in the driver have set in the pad. **See Figure 2.**
 - e.) Return machine to the upright position.

CAUTION!

Damage to the grip face will occur if the machine is operated without a pad or with a pad that is 3/8" (9.5 mm) or thinner.

WARNING!

Never put yourself or let others be in a position to get injured if the machine should tip or fall, while replacing the pad or changing abrasive. Injury can occur if the machine is connected to a power source while installing the pad or abrasive. Disconnect the machine before installing the pad or abrasive.

FIGURE 1

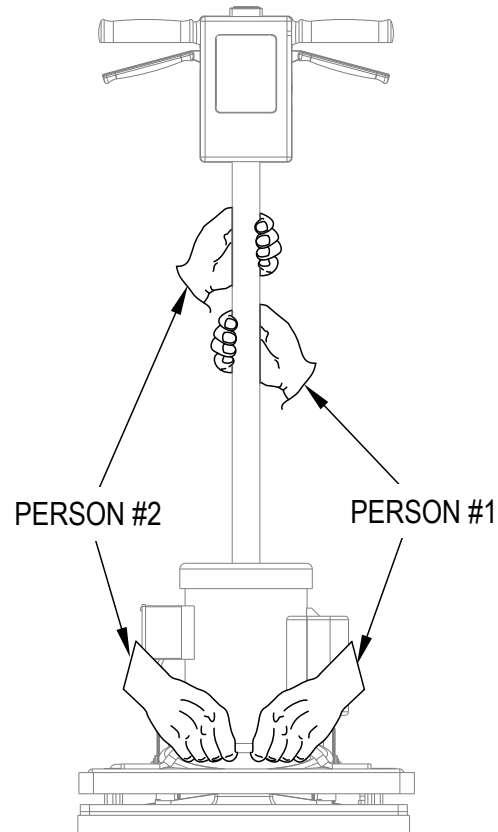
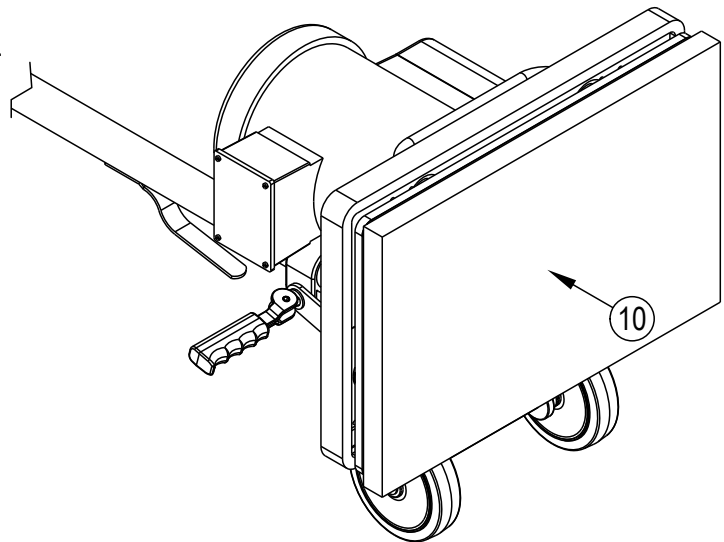


FIGURE 2



OPERATING INSTRUCTIONS - SANDING

To operate the machine as a sander, follow this procedure:

- 1 Move machine to work location. Decide the best approach to sanding the desired area. When sanding the area, work so that you are moving away from the power supply. This will help to avoid entanglement with the power cord and reduce the need to move the power cord as frequently.
- 2 Install the abrasive. Use the same procedure outlined in MACHINE SETUP for installing the pad. To install the abrasive, peel the film off the back of the abrasive; center the abrasive over the pad and press it against the pad. The adhesive on the abrasive will hold it to the pad.

NOTE: When using screen abrasive, set the screen on the floor then move the machine over the screen. Lower the machine until the pad comes to rest on the screen. Make sure the screen is centered on the pad.

⚠ WARNING!

Injury can occur if the machine is connected to a power source while installing the pad or abrasive. Disconnect the machine before installing the pad or abrasive.

- 3 Connect the machine to an appropriately fused and grounded circuit.
- 4 Release the handle by pushing down on the Handle Release Compression Lever (4). Bring the handle to a comfortable position.

⚠ CAUTION!

Do not lock the handle. Locking the handle will prevent the machine from resting evenly on the pad and diminish the machine performance and reliability.

- 5 **See Figure 3.** Push the Switch Lever Safety Lock Button (2), and apply pressure to the Switch Levers (3). To stop the machine, release the Switch Levers (3).

⚠ CAUTION!

To prevent damage to the flooring and to reduce swirling, keep the machine in motion while the motor is running.

OPERATING INSTRUCTIONS - SCRUBBING

To operate the machine as a scrubber, follow this procedure:

- 1 Move machine to work location. Decide the best approach to scrubbing the desired area. When scrubbing the area, work so that you are moving away from the power supply. This will help to avoid entanglement with the power cord and reduce the need to move the power cord as frequently.
- 2 Follow the procedure outlined in MACHINE SETUP for installing the pad.

⚠ WARNING!

Injury can occur if the machine is connected to a power source while installing the pad. Disconnect the machine before installing the pad.

- 3 Connect the machine to an appropriately fused and grounded circuit.
- 4 Release the handle by pushing down on the Handle Release Compression Lever (4). Bring the handle to a comfortable position.

⚠ CAUTION!

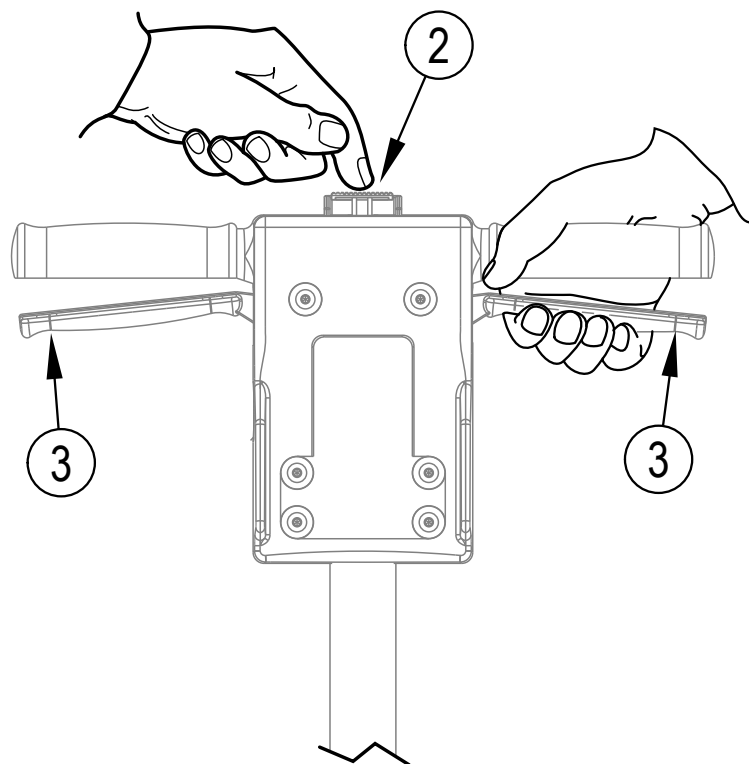
Do not lock the handle. Locking the handle will prevent the machine from resting evenly on the pad and diminish the machine performance and reliability.

- 5 **See Figure 3.** Push the Switch Lever Safety Lock Button (2), and apply pressure to the Switch Levers (3). To stop the machine, release the Switch Levers (3).

⚠ CAUTION!

To prevent damage to the flooring and to reduce swirling, keep the machine in motion while the motor is running.


FIGURE 3



TROUBLESHOOTING

Problem	Cause	Action
Motor will not start.	No power. Switch Lever Safety Lock Button (2) not depressed Defective switch / Faulty connection	Check power supply and connection Depress Switch Lever Safety Lock Button (2) before activating Switch Levers (3) . Contact an authorized Clarke Dealer.
Motor fails to start / runs sluggish.	Low voltage from excessive length or undersized extension cord. Defective start capacitor. Defective start switch. Defective start/run capacitor Defective motor low voltage	Use a 14 Ga extension cord, not to exceed 50' length. Contact an authorized Clarke Dealer. Contact an authorized Clarke Dealer. Contact an authorized Clarke Dealer. Contact an authorized Clarke Dealer.
Fuse / Circuit Breaker repeatedly trips.	Low voltage. Bad connection. Defective motor.	Eliminate extension cord. Locate power source closer to work site. Have voltage checked by a qualified electrician. Contact an authorized Clarke Dealer. Contact an authorized Clarke Dealer.

TECHNICAL SPECIFICATIONS (as installed and tested on the unit)

Model	BOS-18 II
Model Number	56382453
Electrical	1HP - 120V/60Hz
Pad/Brush Speed	1725 rpm
Pad/Brush Size	12" x 18" (305mm x 457mm)
Total Weight (w/cord)	99 lbs. (45 kg)
Sound Pressure Level (ISO 11201)	58.4dB LpA, 3dB KpA
Vibrations at the Hand Controls (ISO 5349-1)	7.1 m/s ²
Protection Grade	IPX0
Protection Class	

Material Composition and Recyclability

Type	% of machine weight	% recyclable
Aluminum	1%	100%
Electrical / motors / engines - misc	38%	70%
Ferrous metals	52%	100%
Harnesses / cables	6%	67%
Liquids	0%	0%
Plastic - non-recyclable	2%	0%
Plastic - recyclable	1%	100%
Polyethylene	0%	0%
Rubber	1%	100%

ÍNDICE

	Página
Introducción:.....	B-2
Componentes y servicio	B-2
Placa de identificación.....	B-2
Desembalaje de la máquina.....	B-2
Precauciones y advertencias.....	B-3
Instrucciones de conexión a tierra.....	B-4
Conozca su máquina.....	B-5
Transporte de la máquina.....	B-6
Configuración de la máquina.....	B-6
Manejo de la máquina	
Instrucciones de manejo - Lijado.....	B-7
Instrucciones de manejo - Fregado.....	B-7
Resolución de problemas.....	B-8
Especificaciones técnicas.....	B-9

INTRODUCCIÓN

Este manual le ayudará a obtener el máximo rendimiento de su máquina para suelos **Clarke**. Léalo con atención antes de utilizar la máquina.

Nota: Los números que aparecen en negrita entre paréntesis indican elementos ilustrados en la página B-5, a menos que se indique lo contrario.

Este producto está destinado exclusivamente a uso comercial.

COMPONENTES Y SERVICIO

Las reparaciones, cuando sean necesarias, deben ser realizadas por su Centro Autorizado de Servicio Clarke que utiliza personal de servicio formado en fábrica y lleva un inventario de piezas de repuesto y accesorios Clarke originales.

Llame a Clarke para lo referente a piezas de repuesto y servicio. Por favor, especifique el modelo y el número de serie cuando hable de su máquina.

Si su distribuidor no puede asistirle, por favor llame a Clarke al 800-253-0367.

MODIFICACIONES

Las modificaciones y los agregados a la máquina de limpieza que afecten su capacidad y su funcionamiento seguro no serán realizados por el cliente o el usuario sin la autorización previa y por escrito de Nilfisk-Advance Inc. Las modificaciones que no cuenten con la aprobación correspondiente anularán la garantía de la máquina y harán que el cliente sea responsable de cualquier accidente resultante.

PLACA DE IDENTIFICACIÓN

El Número de Modelo y de Serie de la máquina se indican en la placa de identificación instalada en el compartimento de las baterías. Esta información es necesaria a la hora de solicitar repuestos para la máquina. Utilice el siguiente espacio para anotar el Modelo y el Número de Serie de su máquina para futuras consultas.

Modelo _____

Número de serie _____

DESEMBALAJE DE LA MÁQUINA

Cuando reciba la máquina, examine con atención la caja del embalaje y la máquina, con el fin de comprobar si existe algún daño. Si observa algún daño, guarde la caja de embalaje (si procede) para que se pueda inspeccionar. Póngase en contacto inmediatamente con el Departamento de Servicio al Cliente de Clarke para presentar una reclamación por daños en transporte.

¡ADVERTENCIA!

Los Productos a la venta en este Manual contienen, o pueden contener, productos químicos reconocidos por algunos gobiernos (como el Estado de California, según lo indica en su Proposición 65, Ley de Advertencia Regulatoria) como causantes de cáncer, defectos de nacimiento u otros daños reproductivos. En algunas jurisdicciones (incluido el Estado de California), los compradores de estos Productos que los coloquen en servicio en un emplazamiento laboral o en un espacio de acceso público tienen la obligación regulatoria de realizar determinados avisos, advertencias o divulgaciones respecto de los productos químicos contenidos o posiblemente contenidos en los Productos utilizados en tal lugar. Es la responsabilidad del comprador conocer y cumplir con todas las leyes y reglamentaciones relacionadas con el uso de estos Productos en tales entornos. El Fabricante niega toda responsabilidad de informar a los compradores sobre requisitos específicos que pueden regir el uso de los Productos en tales entornos.

PRECAUCIONES Y ADVERTENCIAS

SÍMBOLOS

Clarke utiliza símbolos que se indican más abajo para señalar situaciones potencialmente peligrosas. Lea cuidadosamente esta información y emprenda las acciones que resulten necesarias para proteger a personas y objetos.

¡PELIGRO!

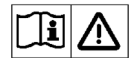
Se utiliza para advertir de riesgos inmediatos que producirán lesiones personales graves o incluso fatales.

¡ADVERTENCIA!

Se utiliza para llamar la atención sobre una situación que podría producir lesiones personales graves.

¡PRECAUCIÓN!

Se utiliza para llamar la atención sobre una situación que podría provocar lesiones personales leves o daños en la máquina u otros objetos.



Lea todas las instrucciones antes de utilizar la máquina.

INSTRUCCIONES GENERALES DE SEGURIDAD

Se incluyen precauciones y advertencias específicas que advierten de los peligros potenciales de daños a la máquina o lesiones personales.

¡PELIGRO!

- * Si no lee el manual del propietario antes de utilizar su máquina Clarke o de intentar realizar los procedimientos de reparación o mantenimiento de la misma, usted o el resto del personal podrían sufrir lesiones; asimismo, podrían producirse daños a la máquina o a otros bienes. Antes de utilizar la máquina, es necesario recibir la capacitación adecuada en el funcionamiento de la misma. **Si usted o el operario de la máquina no saben leer en inglés, explíquelo el contenido de este manual exhaustivamente antes de que intente utilizarla.**
- * El lijado/acabado de suelos de madera puede crear un entorno explosivo o combustible. No haga funcionar esta máquina alrededor de solventes, diluyentes, alcohol, combustibles, acabados para suelos, polvo de madera u otros materiales inflamables. Los encendedores, luces piloto, chispas eléctricas y otras fuentes de ignición deben extinguirse o evitarse. Mantenga el área de trabajo bien ventilada.
- * El polvo que resulta de lijar suelos de madera puede encenderse o explotar de manera espontánea. Deseche inmediatamente el polvo de lija en un recipiente metálico alejado de combustibles. No deseche en el fuego.
- * Podría ocurrir electrocución si a la máquina se le realizan reparaciones o tareas de mantenimiento mientras está conectada a una fuente de alimentación. Desconecte la fuente de alimentación antes de realizarle tareas de reparación o mantenimiento a la máquina.
- * Puede ocurrir electrocución o un incendio si la máquina está siendo manejada con un cable eléctrico dañado. Mantenga el cable lejos del disco. Siempre levante el cable por encima de la máquina. No mueva la máquina tirando del cable.
- * Peligro de descarga. No utilice la máquina si ha estado lloviendo o si el suelo ha sido rociado.
- * Para evitar lesiones, mantenga las manos, los pies y la ropa suelta alejados de las partes móviles de la máquina. Desconecte el cable antes de reemplazar el disco, de cambiar el abrasivo o cuando esté realizando alguna tarea de reparación o mantenimiento a la máquina. No maneje la máquina hasta que todas las protecciones estén en su lugar. Nunca deja la máquina sin supervisión mientras está conectada a una fuente de alimentación.

¡ADVERTENCIA!

- * Pueden ocurrir lesiones si no se usa la ropa o el equipo de protección mientras se está lijando. Siempre use gafas protectoras, ropa de protección y máscara antipolvo mientras esté lijando.
- * Esta lijadora no se debe utilizar sobre madera tratada a presión. Algunas maderas tratadas a presión contienen arsénico y lijar madera tratada a presión produce polvo peligroso. La inhalación de polvo peligroso de la madera tratada a presión puede causar lesiones graves o la muerte. Lijar plataformas de madera tratada a presión o superficies irregulares puede dañar la lijadora lo que no está cubierto por la garantía o por la cláusula de renuncia a daños.
- * Todas las alteraciones o modificaciones realizadas sobre esta máquina pueden dañarla o lesionar al operario o a otras personas que se encuentren en el lugar. Las alteraciones o modificaciones no autorizadas por el fabricante anulan todas las garantías y responsabilidades.

GUARDE ESTAS INSTRUCCIONES

INSTRUCCIONES DE CONEXIÓN A TIERRA 120VCA

Este artefacto debe conectarse a tierra. En caso de que se produzca algún fallo eléctrico, la conexión a tierra ofrece una vía de resistencia menor para la corriente eléctrica, reduciendo el riesgo de descarga eléctrica. Este aparato está equipado con un cable con conductor de conexión a tierra del equipo y enchufe de conexión a tierra. El enchufe debe conectarse a una toma de corriente debidamente instalada y conectada a tierra de acuerdo con todas las normas y ordenanzas locales.

⚠ ¡PELIGRO!

La conexión incorrecta del conductor de conexión a tierra del equipo puede suponer un riesgo de descarga eléctrica. Consulte a un electricista cualificado o al personal de servicio en caso de duda acerca de la correcta conexión a tierra de la toma de corriente. No modifique el enchufe suministrado junto con el aparato. En caso de que este enchufe no sirva para la toma de corriente, pida a un electricista cualificado que instale una toma de corriente adecuada.

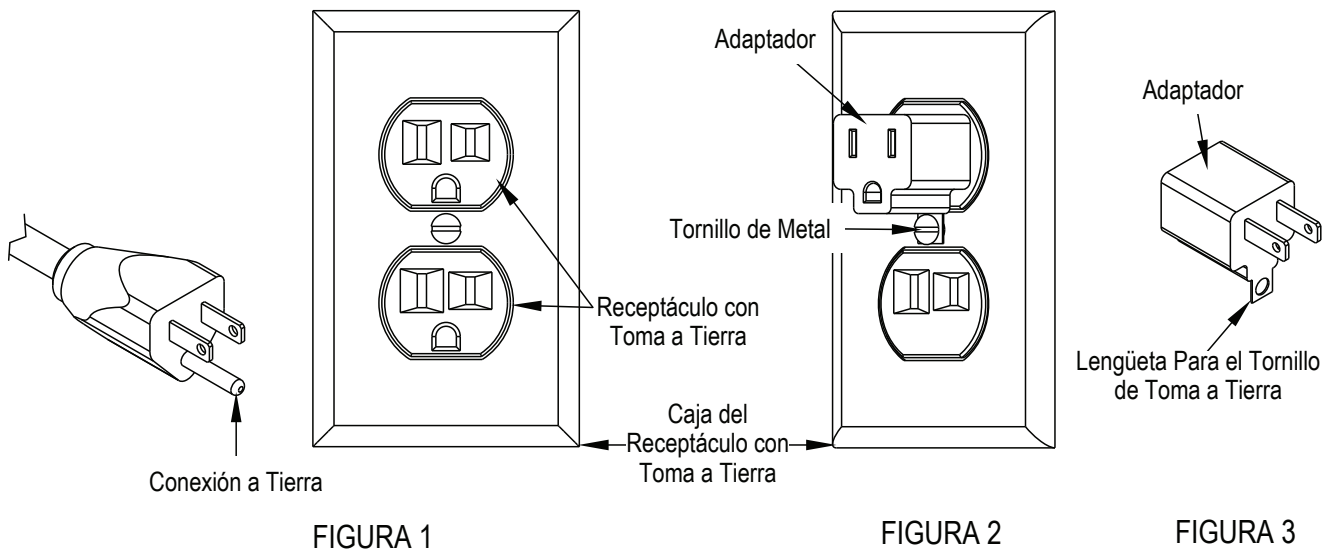
Este aparato se usa con un circuito de 120 voltios nominales, y tiene un enchufe con toma a tierra tal como se muestra en la Figura 1, a continuación. Se puede usar un adaptador provisorio tal como se ve en las Figuras 2 y 3 en caso de disponerse de un receptáculo sin toma a tierra como en la Figura 2. Dicho adaptador provisorio se usará solamente hasta que un electricista cualificado instale un receptáculo con la toma a tierra correspondiente (Figura 1). La lengüeta de conexión de color verde que sale del adaptador deberá ser conectada a una toma a tierra permanente como, por ejemplo, la caja del receptáculo con toma a tierra. Siempre que se use el adaptador, hay que sostenerlo en su lugar con un tornillo de metal. El uso de adaptadores de conexión a tierra no está aprobado en Canadá.

Sustituya el enchufe si la patilla de tierra está dañada o rota.

El hilo Verde (o Verde/Amarillo) del cordón es el hilo de tierra. Cuando sustituya el enchufe, este hilo sólo debe ir conectado a la patilla de tierra.

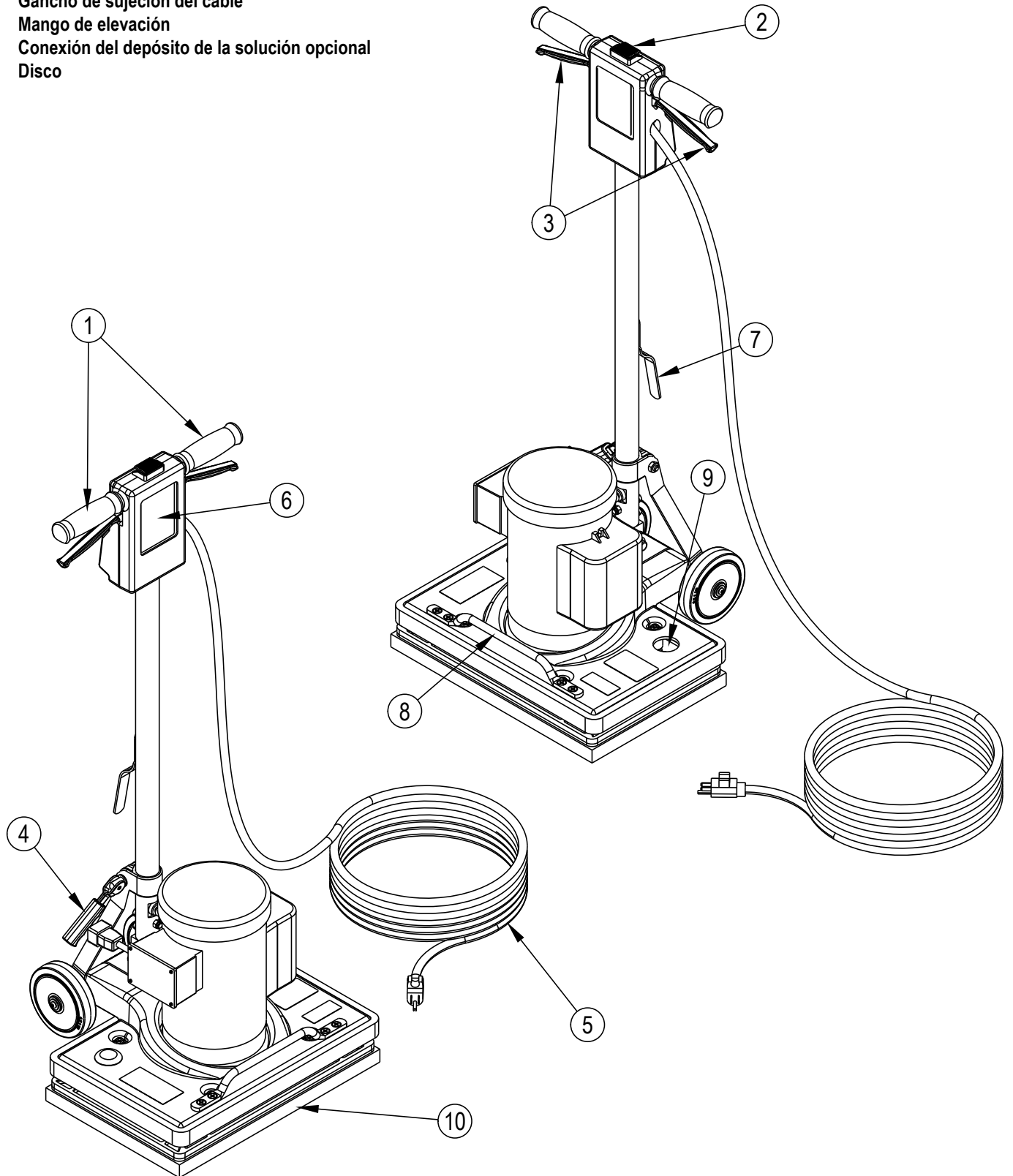
Los cables alargadores conectados a esta máquina deben ser del calibre 12, trifilares, con tres patillas y tomas de pared adecuadas. NO utilice cables alargadores de más de 15 m.

ATENCIÓN: PARA AMÉRICA DEL NORTE SOLAMENTE



CONOZCA SU MÁQUINA

- 1 Manillares del operario
- 2 Botón de bloqueo de seguridad de las palancas de encendido
- 3 Palancas de encendido - Apretar: ENCENDIDO / Soltar: APAGADO
- 4 Palanca de compresión de liberación del mango
- 5 Cable de alimentación
- 6 Mango del operario
- 7 Gancho de sujeción del cable
- 8 Mango de elevación
- 9 Conexión del depósito de la solución opcional
- 10 Disco



TRANSPORTE DE LA MÁQUINA

Para mover la máquina siga este procedimiento:

- 1 Desenchufe la máquina de una toma de corriente de pared y enrolle el cable eléctrico (5) alrededor del gancho del cable (7) y de los manillares del operario (1).
- 2 Eleve y trabe el mango en la posición vertical. Para trabar el mango, tire hacia arriba de la palanca de compresión de liberación del mango (4).
- 3 Eleve la máquina asiendo el tubo del mango y el mango de elevación (8) y coloque en el área de carga.

⚠ ¡ADVERTENCIA!

La máquina es pesada. (99 lbs./45 kg). Para evitar lesiones o daños a la máquina, utilice un manillar firme y aplique la técnica de elevación adecuada. Utilice dos personas, o una persona a cada lado de la máquina como se muestra en la **Figura 1**.

- 4 Asegure la máquina para evitar movimientos en el área de carga.

CONFIGURACIÓN DE LA MÁQUINA

Para preparar la máquina para su uso siga este procedimiento:

- 1 Familiarícese con la máquina. Lea todas las indicaciones sobre peligro, advertencias y precauciones y el Manual de Funcionamiento y Componentes antes de hacer funcionar la máquina.
- 2 Instale o reemplace el disco (10). El disco debe reemplazarse si se ha desgastado a un espesor de 3/8" (9,5mm) o menos. Para instalar o reemplazar el disco, siga las siguientes instrucciones:
 - a.) Trabe el mango del operario (6) en la posición vertical.
 - b.) Inclíne la máquina hacia atrás hasta que descansa por completo sobre el mango (6).
 - c.) Parado sobre la máquina, quite el disco existente, luego coloque el nuevo disco en el centro sobre la cara del manillar.
 - d.) Presione el disco (19) contra la cara del manillar hasta que los ganchos en el motor se hayan ubicado en el disco. **Consulte la figura 2.**
 - e.) Regrese la máquina a la posición vertical.

⚠ ¡PRECAUCIÓN!

Puede ocurrir daño a la cara del manillar si la máquina se maneja sin el disco o con un disco de 3/8" (9,5 mm) o más delgado.

⚠ ¡ADVERTENCIA!

Nunca se coloque o deje que otros estén en una posición que se puedan lesionar si la máquina se inclina o se cae, mientras se reemplaza el disco o se cambia el abrasivo. Pueden ocurrir lesiones si la máquina está conectada a una fuente de alimentación mientras se instala el disco o el abrasivo. Desconecte la máquina antes de instalar el disco o abrasivo.

FIGURA 1

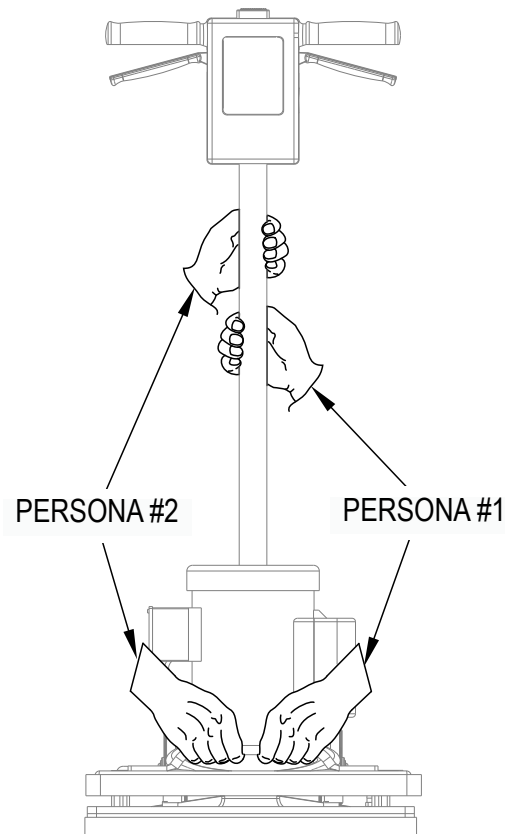
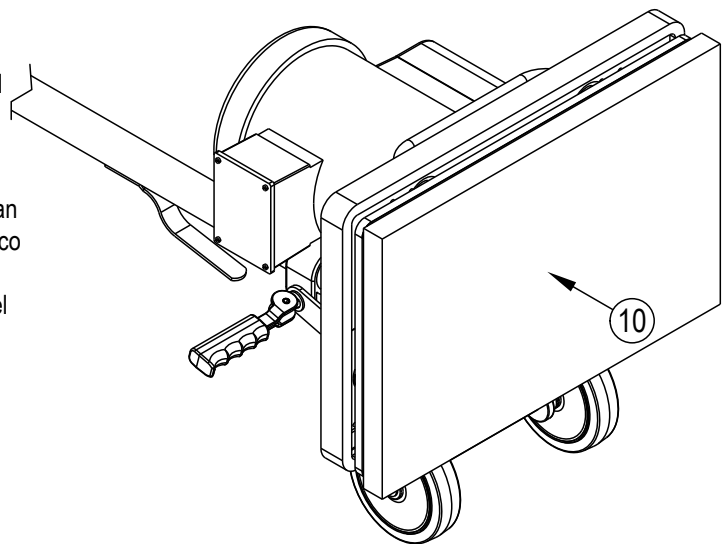


FIGURA 2



INSTRUCCIONES DE MANEJO - LIJADO

Para manejar la máquina como lijadora, siga el siguiente procedimiento:

- 1 Mueva la máquina a una ubicación de trabajo. Determine el mejor enfoque para lijar el área deseada. Cuando lije el área, trabaje de manera tal que se vaya alejando del suministro de alimentación. Esto ayudará a evitar que se enrede con el cable y no tendrá tanta necesidad de mover el cable tan frecuentemente.
- 2 Coloque el abrasivo. Utilice el mismo procedimiento descrito en CONFIGURACIÓN DE LA MÁQUINA para instalar el disco. Para instalar el abrasivo, retire la película de la parte posterior del abrasivo; coloque el abrasivo en el centro sobre el disco y presione contra el disco. El adhesivo sobre el abrasivo lo fijará al disco.
NOTA: Al usar un abrasivo tramado, coloque la trama sobre el suelo y luego mueva la máquina sobre la trama. Baje la máquina hasta que el disco se asiente sobre la trama. Asegúrese de que la trama está centrada sobre el disco.

⚠ ¡ADVERTENCIA!

Pueden ocurrir lesiones si la máquina está conectada a una fuente de alimentación mientras se instala el disco o el abrasivo. Desconecte la máquina antes de instalar el disco o abrasivo.

- 3 Conecte la máquina a un circuito apropiadamente conectado a tierra y a fusibles.
- 4 Libere el mango presionando sobre la palanca de compresión de liberación del mango (4). Coloque el mango en una posición cómoda.

⚠ ¡PRECAUCIÓN!

No trabe el mango. Si se traba el mango la máquina no podrá asentarse de manera uniforme sobre el disco y se reducirá el buen funcionamiento y la confiabilidad de la máquina.

- 5 Vea la Figura 3. Presione el botón de fijación de seguridad de la palanca del interruptor (2) y aplique presión a las palancas del interruptor (3). Para detener la máquina, libere las palancas del interruptor (3).

⚠ ¡PRECAUCIÓN!

Para evitar daños al suelo y para reducir la formación de remolinos, mantenga la máquina en movimiento mientras el motor esté funcionando.

INSTRUCCIONES DE MANEJO - FREGADO

Para manejar la máquina como una fregadora, siga el siguiente procedimiento:

- 1 Mueva la máquina a una ubicación de trabajo. Determine el mejor enfoque para fregar el área deseada. Cuando friegue el área, trabaje de manera tal que se vaya alejando del suministro de alimentación. Esto ayudará a evitar que se enrede con el cable y se reducirá la necesidad de mover el cable con tanta frecuencia.
- 2 Utilice el mismo procedimiento descrito en CONFIGURACIÓN DE LA MÁQUINA para instalar el disco.

⚠ ¡ADVERTENCIA!

Pueden ocurrir lesiones si la máquina está conectada a una fuente de alimentación mientras se instala el disco. Desconecte la máquina antes de instalar el disco.

- 3 Conecte la máquina a un circuito apropiadamente conectado a tierra y a fusibles.
- 4 Libere el mango presionando sobre la palanca de compresión de liberación del mango (4). Coloque el mango en una posición cómoda.

⚠ ¡PRECAUCIÓN!

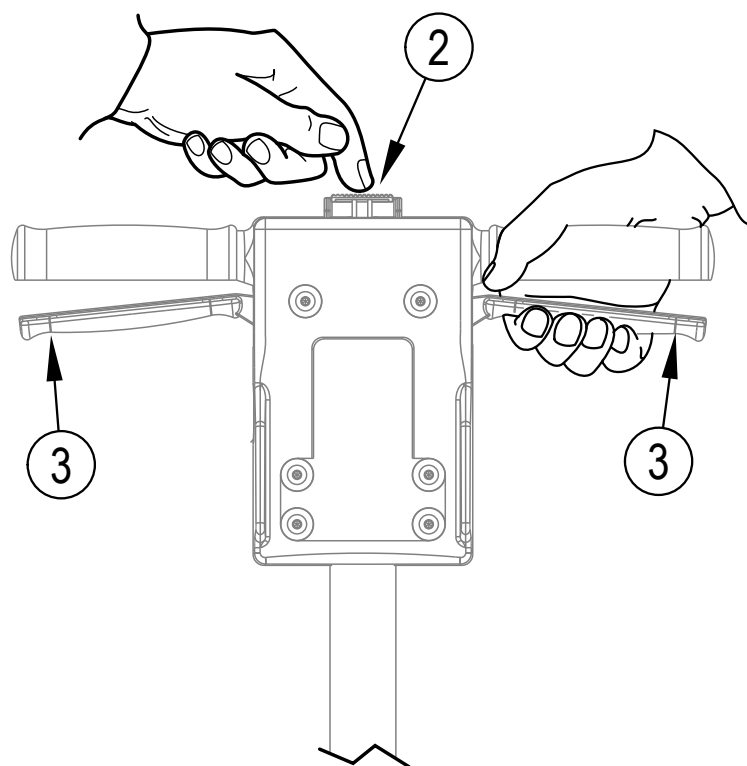
No trabe el mango. Si se traba el mango la máquina no podrá asentarse de manera uniforme sobre el disco y se reducirá el buen funcionamiento y la confiabilidad de la máquina.

- 5 Vea la Figura 3. Presione el botón de bloqueo de seguridad de la palanca de encendido (2) y aplique presión a las palancas de encendido (3). Para detener la máquina, libere las palancas de encendido (3).

⚠ ¡PRECAUCIÓN!

Para evitar daños al suelo y para reducir la formación de remolinos, mantenga la máquina en movimiento mientras el motor esté funcionando.


FIGURA 3



RESOLUCIÓN DE PROBLEMAS

Problema	Causa	Medida
El motor no arrancará.	<p>Sin potencia.</p> <p>No se ha presionado el botón de bloqueo de seguridad de la palanca de encendido (2)</p> <p>Interruptor defectuoso/Fallo en la conexión</p>	<p>Verifique el suministro de alimentación y la conexión</p> <p>Presione el botón de bloqueo de seguridad de la palanca de encendido (2) antes de activar las palancas de encendido (3).</p> <p>Póngase en contacto con un distribuidor autorizado de Clarke.</p>
El motor no arranca / funciona lentamente.	<p>Bajo voltaje porque el cable de extensión es demasiado largo o más pequeño de lo normal</p> <p>Capacitor de arranque defectuoso</p> <p>Interruptor de arranque defectuoso</p> <p>Capacitor de arranque/funcionamiento defectuoso</p> <p>Voltaje bajo del motor defectuoso</p>	<p>Utilice un cable de extensión 14 GA, que no exceda la longitud de 50'.</p> <p>Póngase en contacto con un distribuidor autorizado de Clarke.</p> <p>Póngase en contacto con un distribuidor autorizado de Clarke.</p> <p>Póngase en contacto con un distribuidor autorizado de Clarke.</p> <p>Póngase en contacto con un distribuidor autorizado de Clarke.</p>
Disyuntor / fusible se desconecta reiteradamente.	<p>Bajo voltaje.</p> <p>Mala conexión.</p> <p>Motor defectuoso.</p>	<p>Elimine el cable de extensión. Coloque la fuente de alimentación más cerca del lugar de trabajo. Haga que un electricista matriculado verifique el voltaje.</p> <p>Póngase en contacto con un distribuidor autorizado de Clarke.</p> <p>Póngase en contacto con un distribuidor autorizado de Clarke.</p>

ESPECIFICACIONES TÉCNICAS (según la instalación de la unidad y las pruebas a las que se ha sometido)

Modelo	BOS-18 II
Número de modelo	56382453
Eléctricas	1HP - 120V/60Hz
Velocidad del disco/cepillo	1725 rpm
Tamaño del disco/ cepillo	12" x 18" (305mm x 457mm)
Peso total (con el cable)	99 lbs. (45 kg)
Nivel de presión sonora (ISO 11201)	58,4dB LpA, 3dB KpA
Vibraciones en los controles manuales (ISO 5349-1)	7,1 m/s ²
Grado de protección	IPX0
Tipo de protección	

Composición del material y reciclabilidad

Tipo	% de peso de la máquina	% reciclable
Aluminio	1%	100%
Componentes eléctricos/motores/- varios	38%	70%
Metales ferrosos	52%	100%
Cableado/ cables	6%	67%
Líquidos	0%	0%
Plásticos- no reciclables	2%	0%
Plásticos - reciclables	1%	100%
Polietileno	0%	0%
Caucho	1%	100%

TABLE DES MATIÈRES

	Page
Introduction.....	C-2
Pièces et service après-vente	C-2
Plaque d'identification.....	C-2
Déballage de la machine.....	C-2
Avertissements	C-3
Instructions de mise à la terre	C-4
Apprenez à connaître votre machine.....	C-5
Transport de la machine.....	C-6
Préparation de la machine.....	C-6
Fonctionnement de la machine	
Instructions d'utilisation – Ponçage	C-7
Instructions d'utilisation – Nettoyage	C-7
Dépannage	C-8
Spécifications techniques.....	C-9

INTRODUCTION

Ce manuel vous permettra d'exploiter au maximum les fonctionnalités de votre machine **Clarke**. Lisez-le attentivement avant d'utiliser la machine.

Note : les chiffres en gras et entre parenthèses indiquent un élément illustré à la page C-5, sauf indication contraire.

Ce produit est conçu pour un usage commercial uniquement.

PIÈCES ET SERVICE APRÈS-VENTE

Si nécessaire, les réparations doivent être effectuées par votre centre de service Clarke agréé. Ce dernier emploie du personnel formé en usine et maintient un inventaire de pièces de rechange et d'accessoires Clarke d'origine.

Pour tout entretien ou réparation, contactez Clarke. Veuillez préciser le modèle et le numéro de série de votre machine dans toute communication.

Si votre revendeur ne peut pas vous aider, veuillez appeler Clarke au 800-253-0367.

ALTÉRATIONS

Les altérations et ajouts d'éléments à la machine de lavage, qui affectent ses capacités et son fonctionnement sécurisé, ne doivent pas être réalisés sans le consentement préalable et écrit de Nilfisk-Advance Inc. Toute altération non approuvée annulera la garantie de la machine. En outre, le client sera entièrement responsable des accidents associés.

PLAQUE D'IDENTIFICATION

Le modèle et le numéro de série de votre machine figurent sur la plaque d'identification située dans le compartiment de la batterie. Ces informations sont nécessaires lors de la commande de pièces détachées pour votre machine. Utilisez l'espace disponible ci-dessous pour consigner ces renseignements en vue d'une utilisation ultérieure.

Modèle _____

Numéro de série _____

DÉBALLAGE DE LA MACHINE

Lors de la livraison de la machine, veuillez inspecter soigneusement l'emballage et la machine afin de déceler tout dommage éventuel. En cas de dommage manifeste, conservez le carton de conditionnement (au besoin) afin d'en permettre l'inspection. Le cas échéant, prenez immédiatement contact avec le service clientèle de Clarke afin de faire une déclaration de dégât de fret.

AVERTISSEMENT !

Les Produits vendus avec le présent manuel contiennent ou peuvent contenir des produits chimiques reconnus par certains gouvernements (comme l'État de Californie, par le biais de la proposition de loi d'avertissement réglementaire 65) comme provoquant des cancers, des anomalies congénitales et autres dangers pour la reproduction. Dans certains endroits (comme l'État de Californie), les acheteurs de ces Produits, qui les utilisent sur un lieu de travail ou dans un espace public, ont l'obligation d'apposer certains avis, avertissements ou informations concernant les produits chimiques qui sont ou peuvent être contenus dans les Produits dans ces lieux ou aux alentours de ces lieux de travail. Il incombe à l'acheteur de connaître les dispositions de, et de respecter, toutes les lois et réglementations ayant trait à l'utilisation de ces Produits au sein de tels environnements. Le Fabricant rejette toute responsabilité d'informer les acheteurs concernant des exigences spécifiques qui peuvent s'appliquer à l'utilisation des Produits dans de tels environnements.

CONSIGNES DE PRUDENCE ET DE SÉCURITÉ

SYMBOLES

Les symboles reproduits ci-dessous sont utilisés par Clarke pour attirer l'attention de l'opérateur sur des situations potentiellement dangereuses. Il est donc conseillé de lire attentivement ces indications et de prendre les mesures adéquates en vue de protéger le personnel et le matériel.

DANGER !

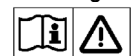
Ce symbole est utilisé pour mettre l'opérateur en garde contre les risques immédiats pouvant entraîner des blessures graves, voire un décès.

AVERTISSEMENT !

Ce symbole est utilisé pour attirer l'attention de l'opérateur sur une situation susceptible d'entraîner des blessures graves.

ATTENTION !

Ce symbole est utilisé pour attirer l'attention de l'opérateur sur une situation qui pourrait entraîner des blessures minimes ou des dommages mineurs de la machine ou autres biens.



Veuillez lire l'ensemble des instructions avant d'utiliser la machine.

CONSIGNES GÉNÉRALES DE SÉCURITÉ

Les consignes spécifiques de prudence et de sécurité mentionnées dans ce document ont pour but de vous informer sur les risques potentiels de dommages matériels ou de blessures physiques.

DANGER !

- * Si vous ne lisez pas le manuel d'utilisation avant d'utiliser ou d'entretenir votre machine Clarke, vous risquez de vous blesser, ainsi que d'autres personnes ; Vous risquez également d'endommager la machine et de provoquer divers dommages matériels. Vous devez avoir été formé à l'utilisation d'une telle machine avant de l'utiliser. **Si vous ou votre (vos) opérateur(s) ne pouvez pas lire le français, faites-vous expliquer entièrement ce manuel avant de commencer toute utilisation de cette machine.**
- * Le ponçage/la finition des planchers peut générer un environnement explosif ou combustible. N'utilisez pas cette machine près de solvants, diluants, alcools, carburants, vernis à parquets, poussière de bois ou autres substances inflammables. Les briquets, les témoins, les étincelles électriques et toutes autres sources d'allumage doivent être éteints ou évités. La zone de travail doit être bien aérée.
- * La poussière générée par le ponçage des parquets peut s'enflammer ou exploser soudainement. Jetez rapidement toute la poussière de ponçage dans un récipient métallique ne contenant aucun combustible. Ne jetez pas la poussière dans un feu.
- * Une électrocution peut survenir si la machine est en cours d'entretien alors qu'elle est raccordée à une source d'alimentation électrique. Débranchez l'alimentation électrique avant un entretien quelconque.
- * Une électrocution ou un incendie peuvent survenir si la machine est utilisée avec un cordon électrique endommagé. Le cordon d'alimentation doit rester à bonne distance du patin de ponçage. Le cordon doit toujours être soulevé au-dessus de la machine. Ne faites pas rouler la machine en la tirant par le cordon.
- * Risque d'électrocution. N'utilisez pas la machine si elle a été exposée à la pluie ou arrosée avec de l'eau.
- * Pour éviter toute blessure, les mains, les pieds et les vêtements amples doivent rester à bonne distance des pièces mobiles de la machine. Débranchez le cordon électrique avant de remplacer le patin de ponçage ou le papier abrasif, ou avant une tâche d'entretien. N'utilisez pas la machine si toutes les protections ne sont pas en place. Ne laissez jamais la machine sans surveillance quand elle est branchée à une prise électrique.

AVERTISSEMENT !

- * Des blessures peuvent survenir si une tenue de protection n'est pas portée ou si un équipement de protection n'est pas utilisé pendant le ponçage. Portez toujours des lunettes de sécurité, des vêtements de protection et un masque antipoussières pendant le ponçage.
- * Cette ponceuse ne doit pas être utilisée sur du bois traité sous pression. Certains bois traités sous pression contiennent de l'arsenic, et le ponçage du bois traité sous pression produit des poussières dangereuses. L'inhalation de poussières dangereuses générée par du bois traité sous pression risque d'entraîner des blessures graves, voire un décès. Le ponçage du bois traité sous pression ou de surfaces irrégulières risque d'endommager la ponceuse, ce qui n'est pas couvert par la garantie ou l'exonération de responsabilité.
- * Toute modification ou changement apportés à cette machine peut l'endommager ou blesser l'opérateur ou d'autres personnes se trouvant à proximité. Les modifications et changements qui n'ont pas été expressément autorisés par le fabricant annulent toute garantie. La responsabilité du fabricant se trouve de ce fait entièrement dérogée.

CONSERVEZ CES CONSIGNES

INSTRUCTIONS DE MISE A LA TERRE POUR 120 VCA

Cet appareil doit être mis à la terre. En cas de mauvais fonctionnement, la mise à la terre établit un trajet de moindre résistance pour le courant électrique pour réduire le risque de décharge électrique. Cet appareil est équipé d'un cordon doté d'un conducteur de mise à la terre de l'équipement et d'une prise de mise à la terre. La prise doit être branchée dans une sortie appropriée correctement installée et mise à la terre en accord avec tous les codes et consignes locaux.

⚠ DANGER !

Un conducteur de mise à la terre d'équipement incorrectement branché peut entraîner un risque de décharge électrique. Vérifier avec un électricien ou un technicien qualifié en cas de doute sur la mise à la terre correcte de la prise. Ne modifiez pas la prise fournie avec l'appareil. Si elle ne peut être branchée, faites installer une sortie appropriée par un électricien qualifié.

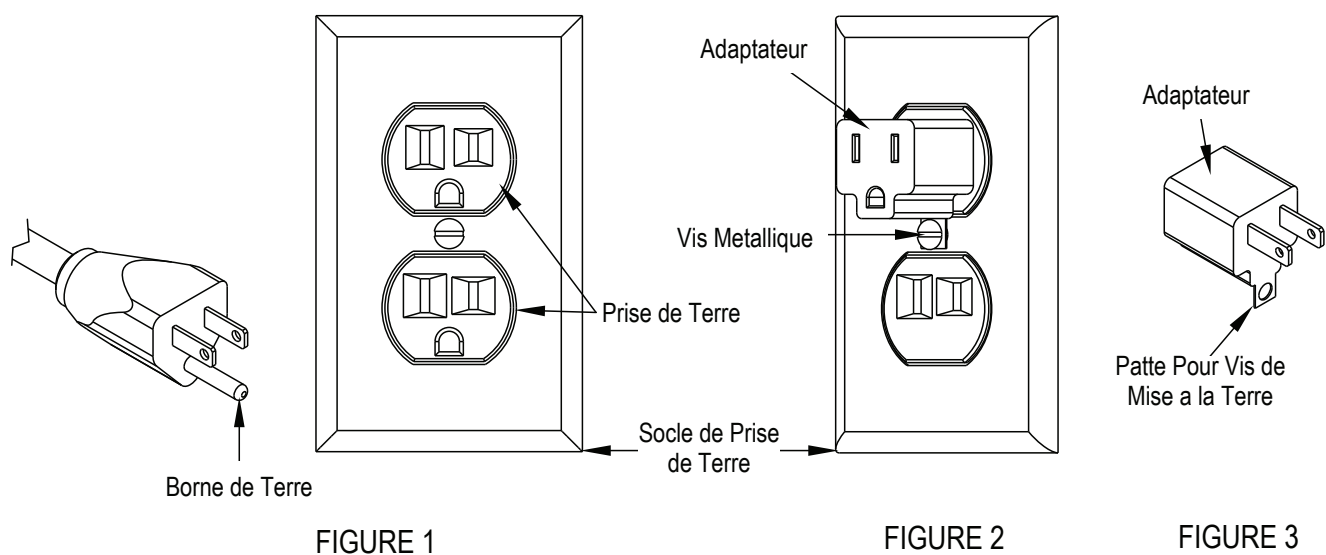
Cet appareil est destiné à être utilisé sur un circuit de 120 volts et possède une prise de mise à la terre comme celle illustrée à la Figure 1. Un adaptateur temporaire illustré sur les Figures 2 et 3 peut être utilisé pour brancher cette dernière à une prise fixe bipolaire, illustrée à la Figure 2, si une sortie correctement mise à la terre n'est pas disponible. L'adaptateur temporaire pourra être utilisé jusqu'à ce qu'une prise correctement mise à la terre (Figure 1) soit installée par un électricien qualifié. La patte rigide, l'attache de couleur verte, ou autres du même genre, de l'adaptateur doit être connectée à une mise à la terre permanente telle qu'un couvercle de boîte de prise correctement mis à la terre. Lorsque l'adaptateur est utilisé, il doit être maintenu en position par une vis métallique. Les adaptateurs de mise à la terre ne sont pas conçus pour une utilisation au Canada.

Remplacez la prise si la broche de mise à la terre est endommagée ou cassée.

Le fil vert (ou vert/jaune) est le fil de mise à la terre. Lorsque vous remplacez la prise, ce fil doit être connecté à la broche de mise à la terre uniquement.

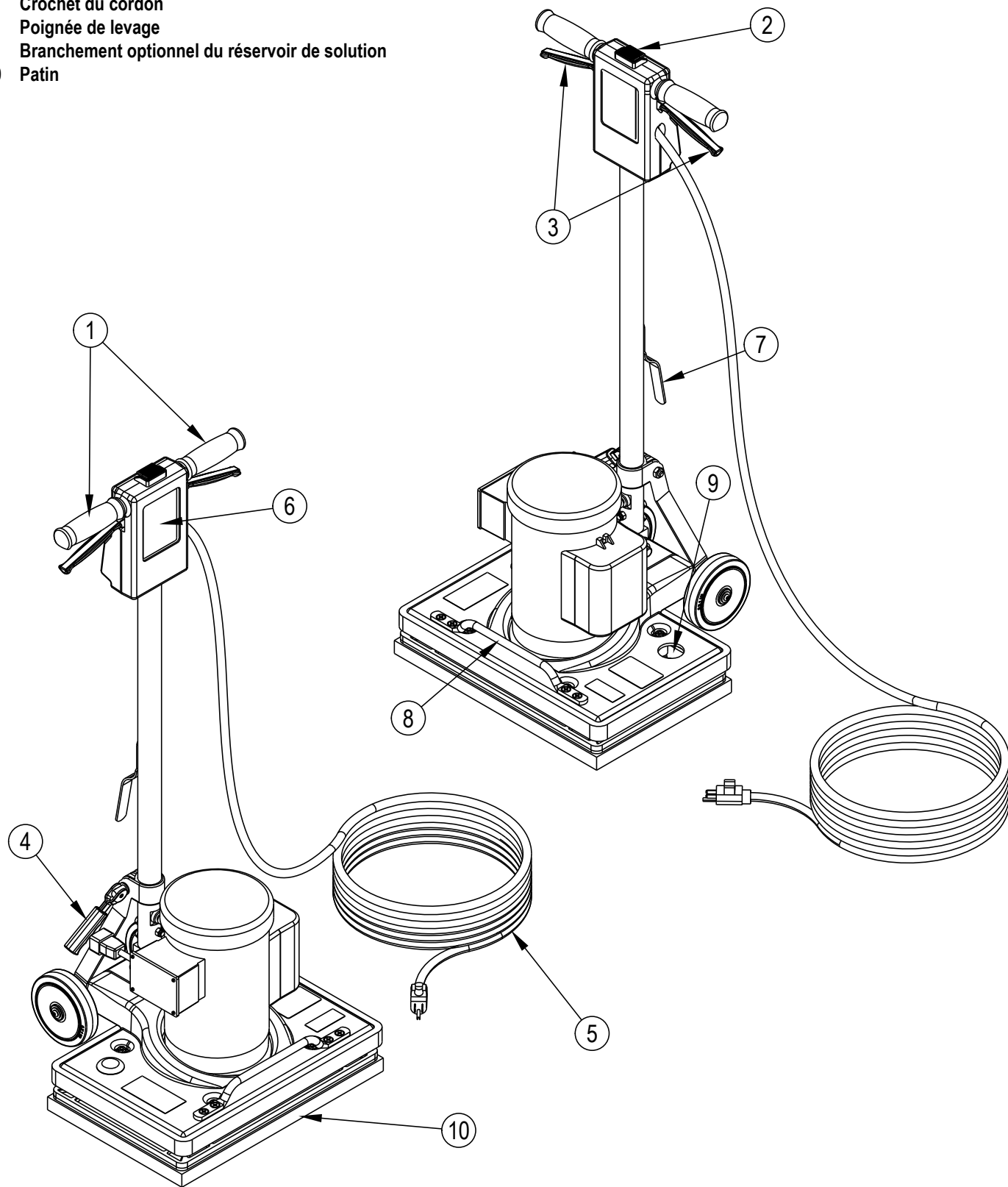
Les cordons prolongateurs connectés à cette machine doivent être des cordons à trois conducteurs de jauge 12, avec prises et sorties à trois broches. N'utilisez PAS des cordons prolongateurs de plus de 50 pieds (15 m).

REMARQUE : UNIQUEMENT POUR L'AMÉRIQUE DU NORD



APPRENEZ À CONNAÎTRE VOTRE MACHINE

- 1 Poignées de l'opérateur
- 2 Bouton de verrouillage de sécurité du levier de commande
- 3 Leviers de commutation - Serrer - MARCHE / Relâcher - ARRÊT
- 4 Levier de blocage par compression du manche
- 5 Cordon d'alimentation
- 6 Manche de l'opérateur
- 7 Crochet du cordon
- 8 Poignée de levage
- 9 Branchement optionnel du réservoir de solution
- 10 Patin



TRANSPORT DE LA MACHINE

Pour transporter la machine, procédez de la manière suivante :

- 1 Débranchez la machine de la prise murale et enroulez le cordon électrique (5) autour du crochet du cordon (7) et les poignées de l'opérateur (1).
- 2 Levez et bloquez le manche en position verticale. Pour bloquer le manche, tirez le levier de blocage par compression du manche (4) vers le haut.
- 3 Saisissez la machine en attrapant le tube de la poignée et la poignée de levage (8), et placez-la dans la zone de cargaison.

⚠ AVERTISSEMENT !

La machine est lourde (99 lbs. / 45 kg). Pour éviter tout dommage corporel ou matériel, utilisez une prise solide et une bonne technique de levage. Deux personnes sont nécessaires ; une de chaque côté de la machine comme illustré à la **Figure 1**.

- 4 Attachez la machine pour éviter qu'elle ne bouge dans la zone de cargaison.

PRÉPARATION DE LA MACHINE

Pour préparer la machine, procédez de la manière suivante :

- 1 Familiarisez-vous avec la machine. Avant toute utilisation de la machine, lisez tous les avertissements, instructions sur les dangers et consignes de prudence, ainsi que le manuel d'utilisation et des pièces.
- 2 Installez ou remplacez le patin (10). Il doit être remplacé s'il est usé jusqu'à une épaisseur égale ou inférieure à 9,5 mm. Pour installer ou remplacer le patin, procédez comme suit :
 - a.) Verrouillez le manche de l'opérateur (6) en position verticale.
 - b.) Inclinez la machine vers l'arrière jusqu'à ce qu'elle repose complètement sur le manche (6).
 - c.) En vous tenant au-dessus de la machine, retirez le vieux patin et centrez le patin neuf sur la surface auto-agrippante.
 - d.) Appuyez le patin (10) contre la face agrippante jusqu'à ce que les crochets aient accroché le patin. **Voir Figure 2.**
 - e.) Redressez la machine en position verticale.

⚠ ATTENTION !

La surface agrippante sera endommagée si la machine est utilisée sans patin ou avec un patin d'une épaisseur égale ou inférieure à 9,5 mm.

⚠ AVERTISSEMENT !

Ne vous placez jamais, et ne laissez jamais d'autres personnes se placer, dans une position qui pourrait entraîner des blessures si la machine venait à basculer ou à tomber pendant le remplacement du patin ou du papier abrasif. Des blessures peuvent survenir si la machine est branchée à une source d'alimentation pendant l'installation du patin ou du papier abrasif. Débranchez la machine avant d'installer le patin ou le papier abrasif.

FIGURE 1

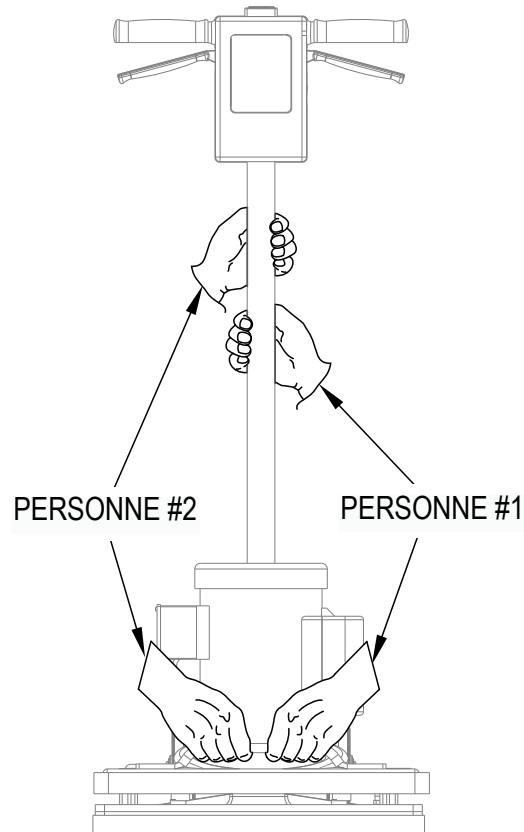
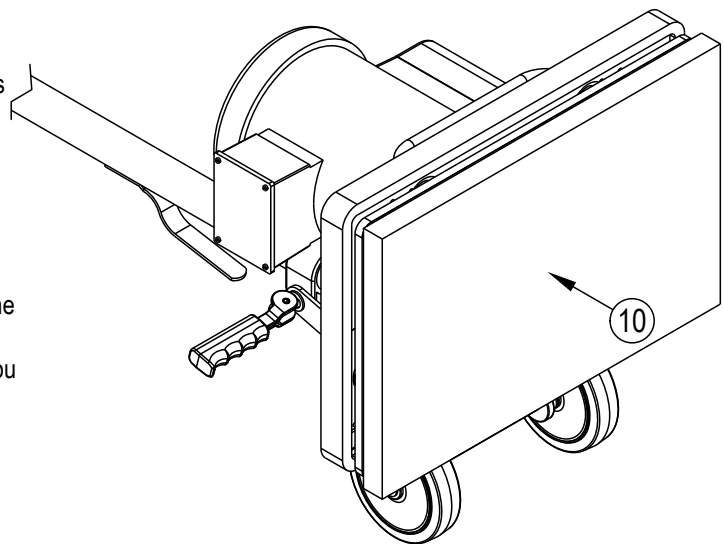


FIGURE 2



INSTRUCTIONS D'UTILISATION – PONÇAGE

Pour poncer avec la machine, procédez comme suit :

- 1 Déplacez la machine jusqu'à la zone de travail. Choisissez la meilleure approche pour poncer la zone désirée. Lorsque vous poncez la zone, travaillez en vous éloignant de la prise électrique. Vous diminuerez ainsi les risques d'emmêler le cordon électrique et vous n'aurez pas à déplacer aussi souvent le cordon.
- 2 Installez le papier abrasif. Utilisez la même procédure d'installation du patin que celle décrite dans la section PRÉPARATION DE LA MACHINE. Pour installer le papier abrasif, décollez la pellicule à l'arrière du papier abrasif; centrez le papier sur le patin et comprimez-le sur le patin. L'adhésif se trouvant sur le papier suffit pour le retenir sur le patin.
NOTE : Lorsque vous utilisez un abrasif grillagé, posez le grillage sur le sol, puis placez la machine au-dessus du grillage. Abaissez la machine jusqu'à ce que le patin repose sur le grillage. Assurez-vous que le grillage est centré sur le patin.

⚠ AVERTISSEMENT !

Des blessures peuvent survenir si la machine est branchée à une source d'alimentation pendant l'installation du patin ou du papier abrasif. Débranchez la machine avant d'installer le patin ou le papier abrasif.

- 3 Branchez la machine à un circuit électrique correctement mis à la terre et protégé par un fusible.
- 4 Relâchez le manche en appuyant sur le levier de blocage par compression (4). Placez le manche dans une position confortable.

⚠ ATTENTION !

Ne verrouillez pas le manche. Le verrouillage du manche empêchera la machine de reposer uniformément sur le patin et diminuera la performance et la fiabilité de la machine.

- 5 Voir Figure 3. Poussez le bouton de verrouillage (2) et appliquez une pression sur les leviers de commutation (3). Pour arrêter la machine, relâchez les leviers de commutation (3).

⚠ ATTENTION !

Pour éviter d'endommager les parquets et réduire le tourbillonnement, gardez la machine en mouvement lorsque le moteur fonctionne.

INSTRUCTIONS D'UTILISATION – NETTOYAGE

Pour nettoyer avec la machine, procédez comme suit :

- 1 Déplacez la machine jusqu'à la zone de travail. Choisissez la meilleure approche pour nettoyer la zone désirée. Lorsque vous nettoyez la zone, travaillez en vous éloignant de la prise électrique. Vous diminuerez ainsi les risques d'emmêler le cordon électrique et vous n'aurez pas à déplacer aussi souvent le cordon.
- 2 Utilisez la procédure d'installation du patin décrite dans la section PRÉPARATION DE LA MACHINE.

⚠ AVERTISSEMENT !

Des blessures peuvent survenir si la machine est branchée à une source d'alimentation pendant l'installation du patin. Débranchez la machine avant d'installer le patin.

- 3 Branchez la machine à un circuit électrique correctement mis à la terre et protégé par un fusible.
- 4 Relâchez le manche en appuyant sur le levier de blocage par compression (4). Placez le manche dans une position confortable.

⚠ ATTENTION !

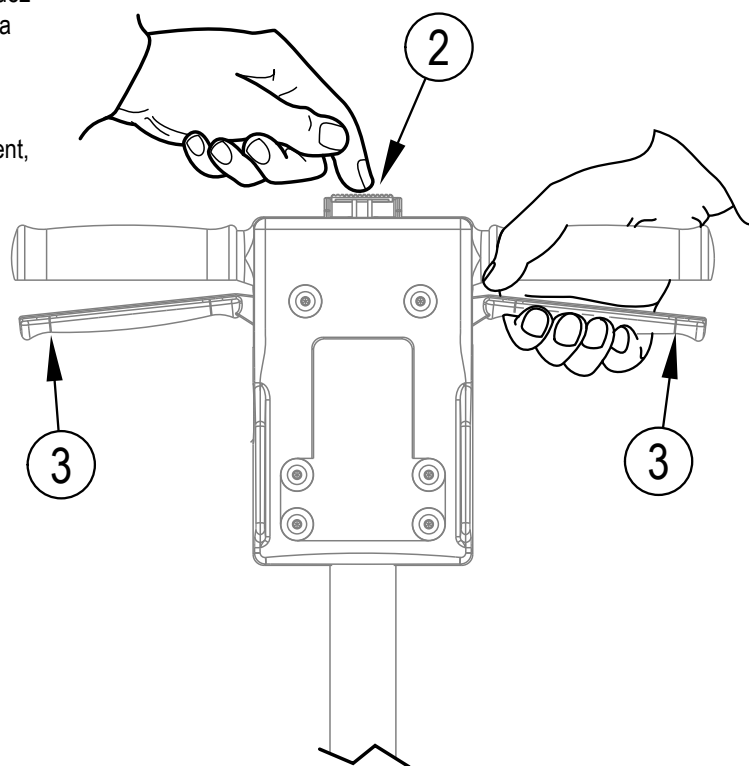
Ne verrouillez pas le manche. Le verrouillage du manche empêchera la machine de reposer uniformément sur le patin et diminuera la performance et la fiabilité de la machine.

- 5 Voir Figure 3. Poussez le bouton de verrouillage (2) et appliquez une pression sur les leviers de commutation (3). Pour arrêter la machine, relâchez les leviers de commutation (3).

⚠ ATTENTION !

Pour éviter d'endommager les parquets et réduire le tourbillonnement, gardez la machine en mouvement lorsque le moteur fonctionne.


FIGURE 3



DÉPANNAGE

Problème	Cause	Action
Le moteur ne démarre pas.	Aucune alimentation électrique. Le bouton de verrouillage de sécurité (2) n'est pas enfoncé Interrupteur défectueux / mauvaise connexion	Vérifier l'alimentation électrique et les connexions Enfoncer le bouton de verrouillage (2) avant d'activer les leviers de commutation (3). Contacter un revendeur agréé Clarke.
Le moteur ne démarre pas ou marche trop lentement.	Basse tension à cause d'une rallonge trop longue ou trop fine. Condensateur de démarrage défectueux. Interrupteur de démarrage défectueux. Condensateur de démarrage / de fonctionnement défectueux. Basse tension dans le moteur	Utiliser une rallonge de taille 14 avec une longueur maximale de 15 m. Contacter un revendeur agréé Clarke. Contacter un revendeur agréé Clarke. Contacter un revendeur agréé Clarke. Contacter un revendeur agréé Clarke.
Le fusible / disjoncteur se déclenche très souvent.	Tension basse. Mauvaise connexion. Moteur défectueux.	Éliminer la rallonge électrique. Trouver une prise électrique plus proche du site de travail. Faire vérifier la tension par un électricien compétent. Contacter un revendeur agréé Clarke. Contacter un revendeur agréé Clarke.

SPÉCIFICATIONS TECHNIQUES (tel qu'installé et testé en usine)

Modèle	BOS-18 II
Référence	56382453
Électricité	1HP - 120V/60Hz
Vitesse de tampon/brosse	1725 tr/min
Taille de tampon/brosse	12» x 18» (305mm x 457mm)
Poids total (avec cordon)	99 livres (45 kg)
Niveau de pression acoustique (ISO 11201)	58,4dB LpA, 3dB KpA
Vibrations au niveau des commandes manuelles (ISO 5349-1)	7,1 m/s ²
Niveau de protection	IPX0
Classe de protection	

Composition des matériaux et recyclabilité

Type	% du poids de la machine	% recyclable
Aluminium	1 %	100 %
Système électrique / moteurs électriques / moteurs – divers	38 %	70 %
Métaux ferreux	52 %	100 %
Faisceaux / câbles	6 %	67 %
Liquides	0 %	0 %
Plastique – non recyclable	2 %	0 %
Plastique – recyclable	1 %	100 %
Polyéthylène	0 %	0 %
Caoutchouc	1 %	100 %

Clarke[®]

14600 21st Avenue North
Plymouth, MN 55447-3408

www.clarkeus.com

Phone: 800-253-0367

Fax: 800-825-2753

©2014 Nilfisk-Advance, Inc.

A Nilfisk-Advance Brand